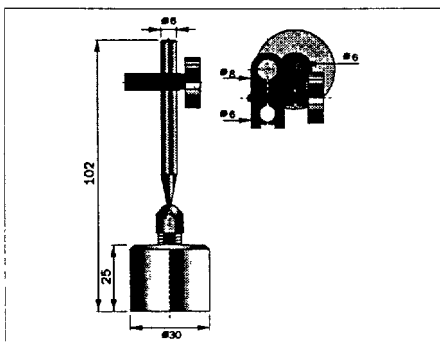
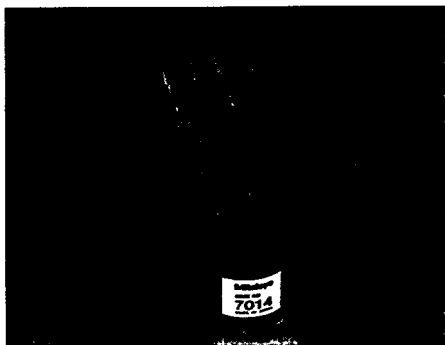


457-450

Magnetic Stands

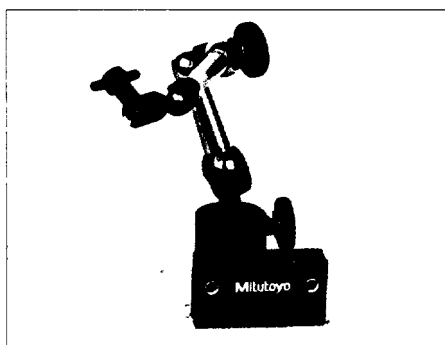


No.	Suitable Stem Dia.
-----	--------------------

7014 6mm, 8mm Dovetail Groove

- Mini Magnetic Stand
- Designed for maximum flexibility in positioning
- Strong permanently magnetic base

Magnetic Stands

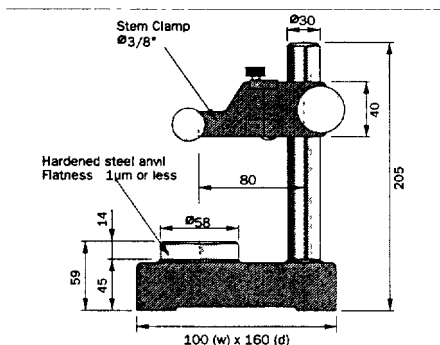
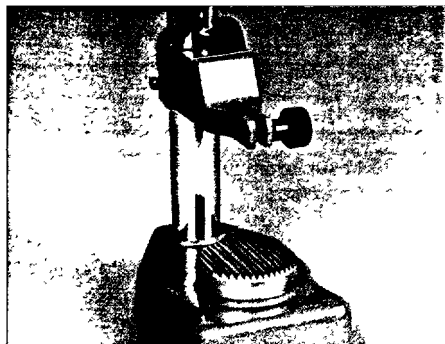


No.	Suitable Stem Dia.
-----	--------------------

7081 8mm Dovetail Groove

- Magnetic Stand for Dial Indicators
- Uni-Joint Type construction.
- Strong permanently magnetic base

Dial Gauge Stand



Height Capacity	No.	Fine Adjustment	Stem Dia.
-----------------	-----	-----------------	-----------

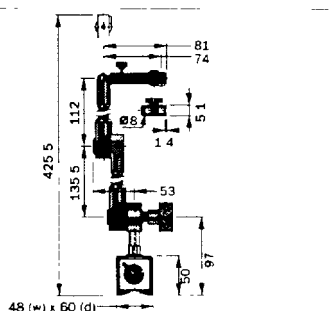
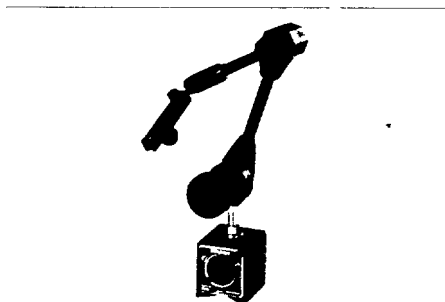
100mm **7003** 2mm 3/8" 205
 300mm **519-109E** 2mm 3/8" 430

- With serrated Anvil
- Gauging Stand for Dial Indicators, Digimatic Indicators and Linear Gauges
- Can mount Dial Indicator with a lug

Optional Accessories

- 206983** Reducing sleeve for fitting 8mm Stem Indicators
- 101461** Flat Anvil
- 101462** Serrated Anvil (standard)
- 101463** Domed Anvil
- 101464** Anvil Screws

Uni-Joint Stand



No.	Suitable Stem Dia.
-----	--------------------

7019 8mm/3/8" Dovetail Groove

- Uni-Joint Stand combines the mobility of the flexible stand with the rigidity of the conventional stand
- Indicator can be fixed in any position by means of hydraulic clamping
- On/Off lever to release magnet

X-ON Electronics

Largest Supplier of Electrical and Electronic Components

Click to view similar products for [mitutoyo](#) manufacturer:

Other Similar products are found below :

[2109S-10](#) [530-104](#) [103-129](#) [500-171-30](#) [7010SN](#) [148-104](#) [530-118](#) [293-832](#) [959150](#) [2046SB](#) [543-391B](#) [500-184-30](#) [102-301](#) [575-123](#) [148-201](#) [500-196-30](#) [2046S](#) [7301](#)