



# Precision, Quad, SPDT, CMOS Analog Switch

MAX333A

## General Description

The MAX333A is a precision, quad, single-pole double-throw (SPDT) analog switch. The four independent switches operate with bipolar supplies ranging from  $\pm 4.5V$  to  $\pm 20V$ , or with a single-ended supply between  $+10V$  and  $+30V$ . The MAX333A offers low on resistance (less than  $35\Omega$ ), guaranteed to match within  $2\Omega$  between channels and to remain flat over the analog signal range ( $\Delta 3\Omega$  max). It also offers break-before-make switching (10ns typical), with turn-off times less than 145ns and turn-on times less than 175ns. The MAX333A is ideal for portable operation since quiescent current runs less than  $50\mu A$  with all inputs high or low.

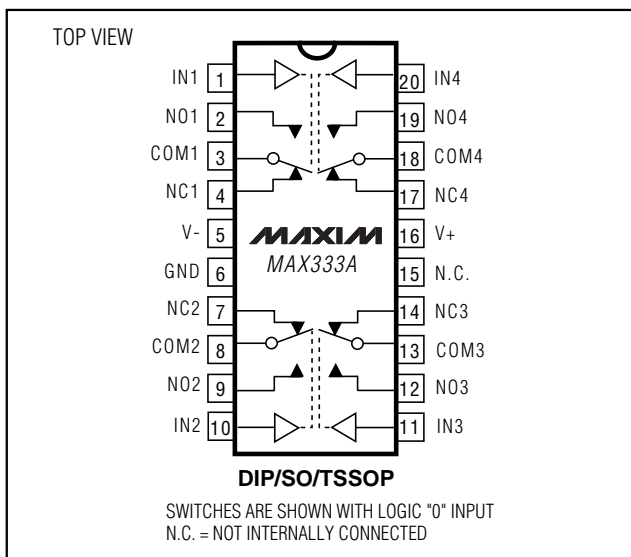
This monolithic, quad switch is fabricated with Maxim's new improved silicon-gate process. Design improvements guarantee extremely low charge injection (10pC), low power consumption (3.75mW), and electrostatic discharge (ESD) greater than 2000V.

Logic inputs are TTL and CMOS compatible and guaranteed over a  $+0.8V$  to  $+2.4V$  range—regardless of supply voltage. Logic inputs and switched analog signals can range anywhere between the supply voltages without damage.

## Applications

- Test Equipment
- Communications Systems
- PBX, PABX
- Heads-Up Displays
- Portable Instruments

## Pin Configuration



## Features

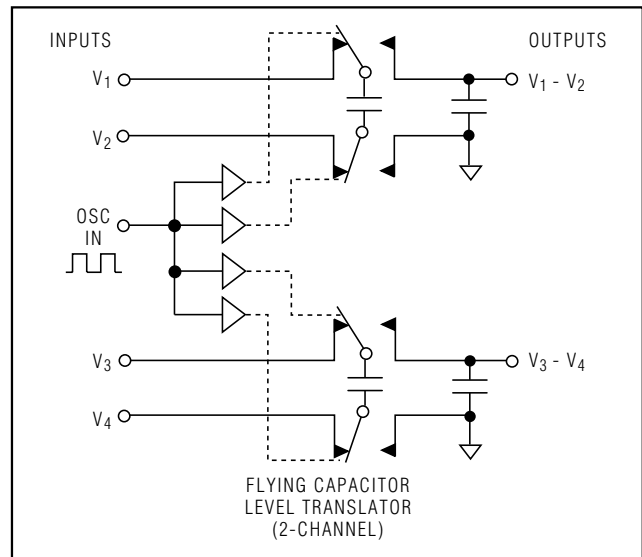
- ◆ Upgraded Replacement for a DG211/DG212 Pair or Two DG403s
- ◆ Low On Resistance  $< 17\Omega$  Typical ( $35\Omega$  Max)
- ◆ Guaranteed Matched On Resistance Between Channels  $< 2\Omega$
- ◆ Guaranteed Flat On Resistance over Analog Signal Range  $\Delta 3\Omega$  Max
- ◆ Guaranteed Charge Injection  $< 10pC$
- ◆ Guaranteed Off-Channel Leakage  $< 6nA$  at  $+85^\circ C$
- ◆ ESD Guaranteed  $> 2000V$  per Method 3015.7
- ◆ Single-Supply Operation ( $+10V$  to  $+30V$ )  
Bipolar-Supply Operation ( $\pm 4.5V$  to  $\pm 20V$ )
- ◆ TTL-/CMOS-Logic Compatibility
- ◆ Rail-to-Rail Analog Signal Handling Capability

## Ordering Information

PART	TEMP. RANGE	PIN-PACKAGE
MAX333ACPP	$0^\circ C$ to $+70^\circ C$	20 Plastic DIP
MAX333ACWP	$0^\circ C$ to $+70^\circ C$	20 Wide SO
MAX333ACUP	$0^\circ C$ to $+70^\circ C$	20 TSSOP
MAX333AC/D	$0^\circ C$ to $+70^\circ C$	Dice*
MAX333AEPP	$-40^\circ C$ to $+85^\circ C$	20 Plastic DIP
MAX333AEWP	$-40^\circ C$ to $+85^\circ C$	20 Wide SO
MAX333AEUP	$-40^\circ C$ to $+85^\circ C$	20 TSSOP
MAX333AMJP	$-55^\circ C$ to $+125^\circ C$	20 CERDIP

\* Contact factory for dice specifications.

## Typical Operating Circuit



# Precision, Quad, SPDT, CMOS Analog Switch

## ABSOLUTE MAXIMUM RATINGS

V+ to V-	44V
V <sub>IN</sub> , V <sub>COM</sub> , V <sub>NO</sub> , V <sub>NC</sub>	V- to V+
(V <sub>NO</sub> - V <sub>NC</sub> )	32V
V+ to Ground	30V
V- to Ground	30V
Current, Any Terminal Except V <sub>COM</sub> , V <sub>NO</sub> , or V <sub>NC</sub>	30mA
Continuous Current, V <sub>COM</sub> , V <sub>NO</sub> , or V <sub>NC</sub>	20mA
Peak Current, V <sub>COM</sub> , V <sub>NO</sub> , or V <sub>NC</sub> (Pulsed at 1ms, 10% duty cycle max)	70mA
ESD	2000V

Continuous Power Dissipation (T <sub>A</sub> = +70°C) (Note 1)	
Plastic DIP (derate above +70°C by 11.11mW/°C)	889mW
SO (derate above +70°C by 10.00mW/°C)	800mW
CERDIP (derate above +70°C by 11.11mW/°C)	889mW
TSSOP (derate above +70°C by 7mW/°C)	559mW
Operating Temperature Ranges:	
MAX333AC	0°C to +70°C
MAX333AE	-40°C to +85°C
MAX333AMJP	-55°C to +125°C
Storage Temperature Range	-65°C to +150°C
Lead Temperature (soldering, 10sec)	+300°C

**Note 1:** Device mounted with all leads soldered to PC board.

Stresses beyond those listed under "Absolute Maximum Ratings" may cause permanent damage to the device. These are stress ratings only, and functional operation of the device at these or any other conditions beyond those indicated in the operational sections of the specifications is not implied. Exposure to absolute maximum rating conditions for extended periods may affect device reliability.

## ELECTRICAL CHARACTERISTICS—Dual Supplies

(GND = 0V, V+ = +15V, V- = -15V, T<sub>A</sub> = +25°C, unless otherwise noted.)

PARAMETER	SYMBOL	CONDITIONS	MIN	TYP (Notes 2, 3)	MAX	UNITS	
<b>POWER REQUIREMENTS</b>							
Positive Supply Current	I+	V <sub>IN</sub> = 0V/5V, V+ = 16.5V, V- = -16.5V		0.05	0.25	mA	
Supply Voltage Range	V+/V-	Dual supply,  V+  =  V-	±4.5V		±20	V	
	V+	Single supply, V- = GND	10		30	V	
Negative Supply Current	I-	V <sub>IN</sub> = 0V/5V, V+ = 16.5V, V- = -16.5V		0.01	1	µA	
<b>LOGIC INPUT</b>							
Input Voltage Low	V <sub>IL</sub>		V-		0.8	V	
Input Voltage High	V <sub>IH</sub>		2.4		V+	V	
Input Current	I <sub>IN</sub>	V <sub>IN</sub> = V-, V+	-1.0	0.0001	1.0	µA	
<b>SWITCH</b>							
Analog Signal Range	V <sub>COM</sub> , V <sub>NO</sub> , V <sub>NC</sub>		V-		V+	V	
On Circuit Resistance	R <sub>ON</sub>	V <sub>COM</sub> = +10V, I <sub>(NC or NO)</sub> = 1mA; V <sub>COM</sub> = -10V, I <sub>(NC or NO)</sub> = 1mA	M	20	35	Ω	
			C, E		45		
On Resistance Match Between Channels (Note 4)	R <sub>ON</sub>	I <sub>(NC or NO)</sub> = -10mA, V <sub>D</sub> = 10V or -10V, V+ = 15V, V- = -15V	T <sub>A</sub> = +25°C		2	Ω	
			T <sub>A</sub> = T <sub>MIN</sub> to T <sub>MAX</sub>		4		
On Resistance Flatness (Note 4)	R <sub>ON</sub>	I <sub>(NC or NO)</sub> = -10mA, V <sub>D</sub> = 5V or -5V, V+ = 15V, V- = -15V	T <sub>A</sub> = +25°C		3	Ω	
			T <sub>A</sub> = T <sub>MIN</sub> to T <sub>MAX</sub>		5		
On Circuit Leakage Current	I <sub>COM</sub>	V <sub>COM</sub> = ±15.5V, V <sub>NC</sub> or V <sub>NO</sub> = ±15.5V, V+ = 16.5V, V- = -16.5V	M	-0.75	0.75	nA	
			C, E	-1.00	0.20		1.00
Off Circuit Leakage Current	I <sub>NC</sub> or I <sub>NO</sub>	V <sub>COM</sub> = ±15.5V, V <sub>NC</sub> or V <sub>NO</sub> = ±15.5V, V+ = 16.5V, V- = -16.5V	M	-0.25	0.01	0.25	nA
			C, E	-0.50	0.02	0.05	
<b>DYNAMIC</b>							
Turn-Off Time	t <sub>OFF</sub>	Figure 1			145	ns	
Turn-On Time	t <sub>ON</sub>				175	ns	
Break-Before-Make Time	t <sub>OPEN</sub>		10			ns	
Off Capacitance	C <sub>OFF</sub>			5		pF	
On Capacitance	C <sub>ON</sub>			5		pF	
Charge Injection	Q	C <sub>L</sub> = 10nF, V <sub>GEN</sub> = 0V, R <sub>GEN</sub> = 0Ω, Figure 6	T <sub>A</sub> = +25°C		2	10	pC
Off Isolation	OIRR	f = 1MHz, R <sub>L</sub> = 75Ω, V <sub>COM</sub> = 2.3V <sub>RMS</sub>			72		dB
Crosstalk	CCRR				78		dB

# Precision, Quad, SPDT, CMOS Analog Switch

MAX333A

## ELECTRICAL CHARACTERISTICS—DUAL SUPPLIES (continued)

(GND = 0V, V+ = +15V, V- = -15V, T<sub>A</sub> = T<sub>MIN</sub> to T<sub>MAX</sub>, unless otherwise noted.)

PARAMETER	SYMBOL	CONDITIONS	MIN	TYP (Notes 2, 3)	MAX	UNITS
<b>LOGIC INPUT</b>						
Input Voltage Low	V <sub>IL</sub>		V-		0.8	V
Input Voltage High	V <sub>IH</sub>		2.4		V+	V
Input Current	I <sub>IN</sub>	V <sub>IN</sub> = V-, V+	-1.0	0.0001	1.0	μA
<b>SWITCH</b>						
Analog Signal Range	V <sub>COM</sub>		V-		V+	V
On Circuit Resistance	R <sub>ON</sub>	V <sub>COM</sub> = 10V, I <sub>(NC or NO)</sub> = 1mA; V <sub>COM</sub> = -10V, I <sub>(NC or NO)</sub> = 1mA	C, E		45	Ω
			M		45	
On Circuit Leakage Current	I <sub>COM</sub>	V <sub>COM</sub> = ±15V, V <sub>NC</sub> or V <sub>NO</sub> = -15V, V+ = 16.5V, V- = -16.5V	C, E	-10	10	nA
			M	-60	60	
On Circuit Leakage Current	I <sub>NC</sub> or I <sub>NO</sub>	V <sub>COM</sub> = ±15V, V <sub>NC</sub> or V <sub>NO</sub> = -15V, V+ = 16.5V, V- = -16.5V	C, E	-6	6	nA
			M			

## ELECTRICAL CHARACTERISTICS—Single Supply

(GND = 0V, V+ = +12V, V- = 0V, T<sub>A</sub> = +25°C, unless otherwise noted.)

PARAMETER	SYMBOL	CONDITIONS	MIN	TYP (Notes 2, 3)	MAX	UNITS
<b>SUPPLY</b>						
Supply Voltage Range	V+	Single supply, V- = GND	10		30	V
Positive Supply Current	I+				0.25	mA
<b>INPUT</b>						
Input Voltage Low	V <sub>INLO</sub>		0		0.8	V
Input Voltage High	V <sub>INHI</sub>		2.4		V+	V
Input Current	I <sub>IN</sub>	V <sub>IN</sub> = V+, 0V			1	μA
<b>SWITCH</b>						
Analog Signal Range	V <sub>COM</sub> , V <sub>NO</sub> , V <sub>NC</sub>		V-		V+	V
On Circuit Resistance	r <sub>ON</sub>	V <sub>COM</sub> = 10V, I <sub>(NC or NO)</sub> = 1mA, V <sub>COM</sub> = 1V, I <sub>(NC or NO)</sub> = 1mA		35	75	Ω
On Circuit Leakage Current	I <sub>COM</sub>	V <sub>COM</sub> = 11V, V <sub>NC</sub> or V <sub>NO</sub> = 0V V <sub>COM</sub> = 1V, V <sub>NC</sub> or V <sub>NO</sub> = V+			0.75	nA
Off Circuit Leakage Current	I <sub>NC</sub> or I <sub>NO</sub>	V <sub>COM</sub> = 11V V <sub>NC</sub> or V <sub>NO</sub> = 1V			0.25	nA
<b>DYNAMIC</b>						
Turn-Off Time	t <sub>OFF</sub>	Figure 1		45		ns
Turn-On Time	t <sub>ON</sub>			90		ns
Break-Before-Make Time	t <sub>OPEN</sub>		5	10		ns
Off Isolation	OIRR	f = 1MHz, R <sub>L</sub> = 75Ω, V <sub>COM</sub> = 2.3V <sub>RMS</sub>		70		dB
Crosstalk	CCRR			72		dB

**Note 2:** The algebraic convention, whereby the most negative value is a minimum and the most positive is a maximum, is used in this data sheet.

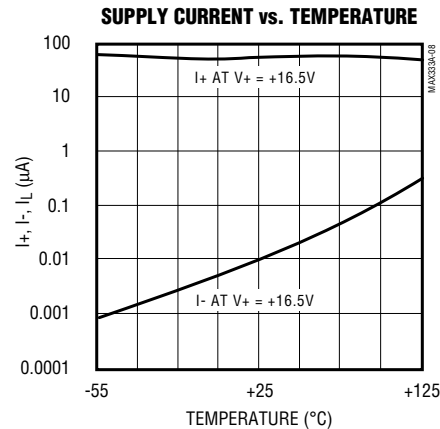
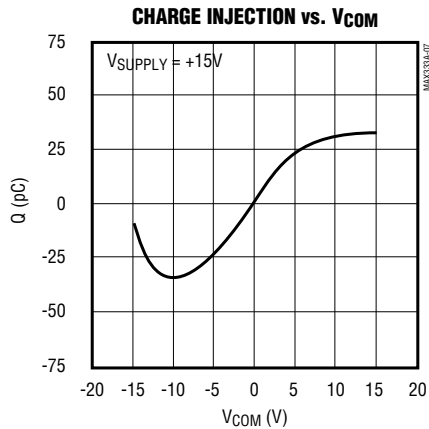
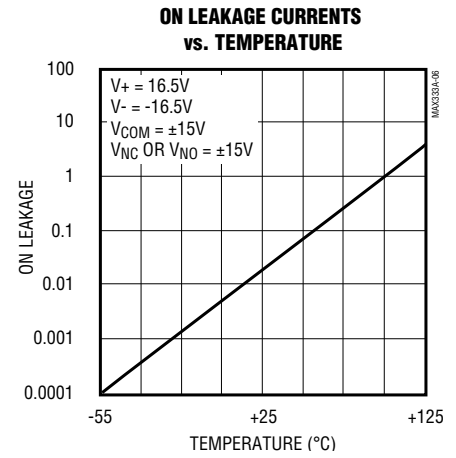
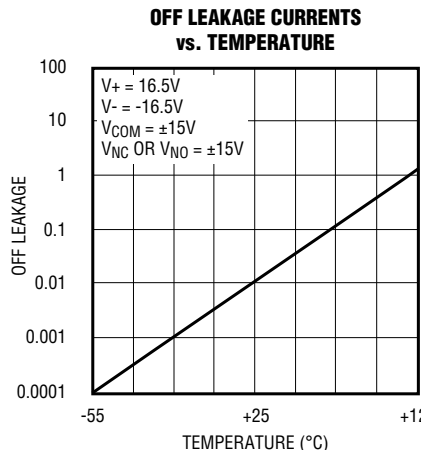
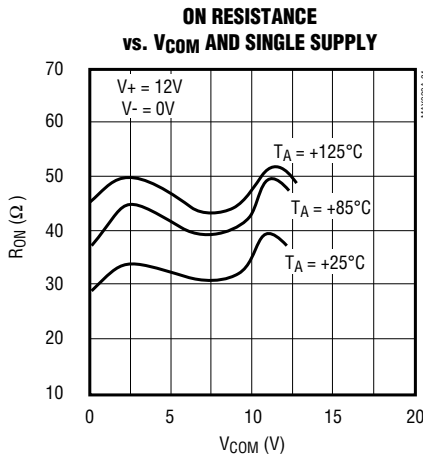
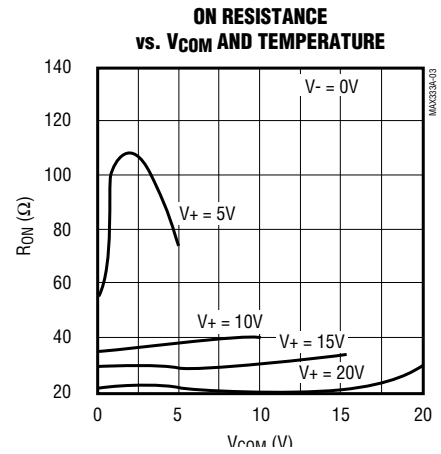
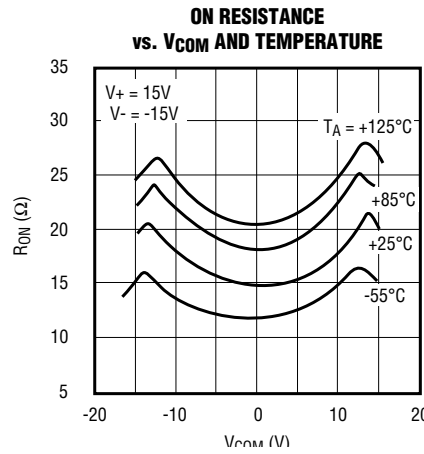
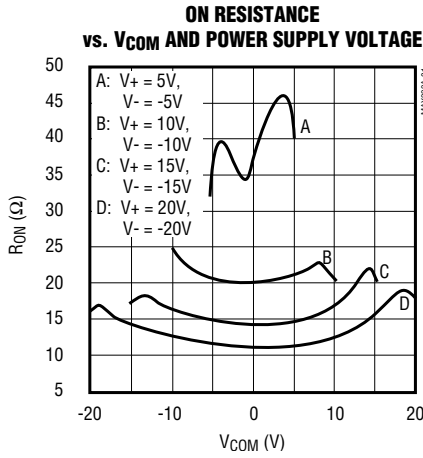
**Note 3:** Typical values are for design aid only, not guaranteed or subject to production testing.

**Note 4:** On resistance match between channels and flatness are guaranteed only with bipolar-supply operation.

# Precision, Quad, SPDT, CMOS Analog Switch

## Typical Operating Characteristics

( $T_A = +25^\circ\text{C}$ , unless otherwise noted).



# Precision, Quad, SPDT, CMOS Analog Switch

**MAX333A**

## Pin Description

PIN	NAME	FUNCTION
1, 10, 11, 20	IN1-IN4	Logic-Level Inputs
2, 9, 12, 19	NO1-NO4	Normally Open Switches
3, 8, 13, 18	COM1-COM4	Common Switch Poles
4, 7, 14, 17	NC1-NC4	Normally Closed Switches
5	V-	Negative Power Supply
6	GND	Ground
15	N.C.	Not Internally Connected
16	V+	Positive Power Supply

## Overvoltage Protection

Proper power-supply sequencing is recommended for all CMOS devices. It is important not to exceed the absolute maximum ratings because stresses beyond the listed ratings may cause permanent damage to the devices. Always sequence V+ on first, followed by VL, V-, and logic inputs. If power-supply sequencing is not possible, add two small signal diodes in series with the supply pins (Figure 1). Adding the diodes reduces the analog signal range to 1V below V+ and 1V below V-, but low switch resistance and low leakage characteristics are unaffected.

## Applications Information

### Operation with Supply Voltages Other than $\pm 15V_0$

The main limitation of supply voltages other than  $\pm 15V$  is a reduction in the analog signal range. The MAX333A operates with  $\pm 5V$  to  $\pm 20V$  bipolar supplies. The *Typical Operating Characteristics* and graphs show typical on resistance for  $\pm 15V$ ,  $\pm 10V$ ,  $\pm 5V$  supplies. Switching times increase by a factor of two or more for  $\pm 5V$  operation. The MAX333A can operate from  $+10V$  to  $+24V$  unipolar supplies. It can be powered from a single  $+10V$  to  $+24V$  supply, as well as from unbalanced supplies such as  $+24V$  and  $-5V$ . Connect V- to 0V when operating with a single supply.

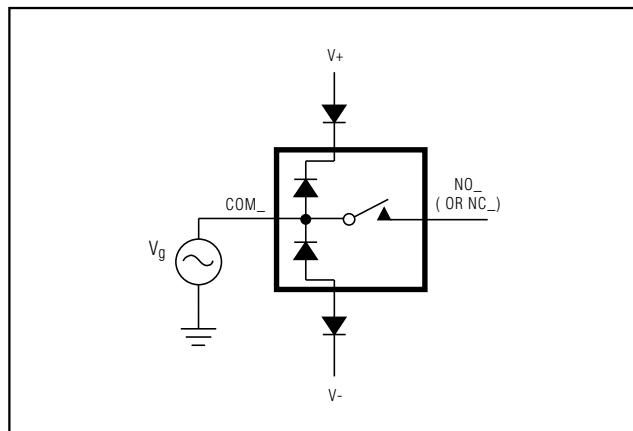


Figure 1. Overvoltage Protection Using Blocking Diodes

## Test Circuits/Timing Diagrams

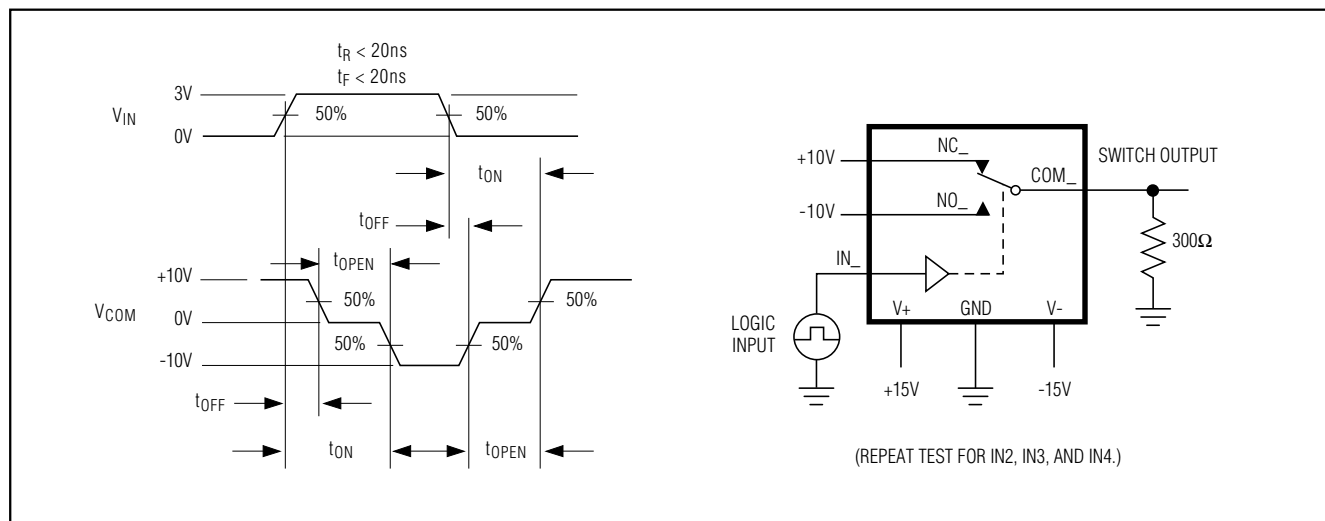


Figure 2. Switching-Time Test Circuit

# Precision, Quad, SPDT, CMOS Analog Switch

## Test Circuits/Timing Diagrams

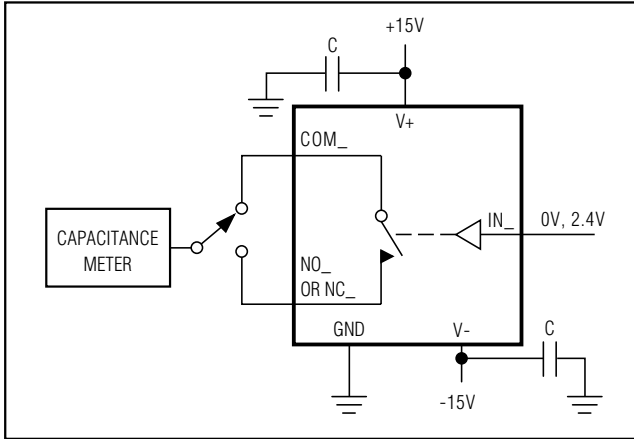


Figure 3. Channel-Off Capacitance

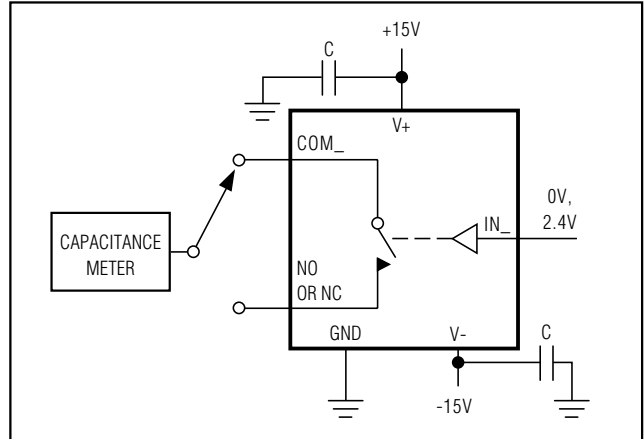


Figure 4. Channel-On Capacitance

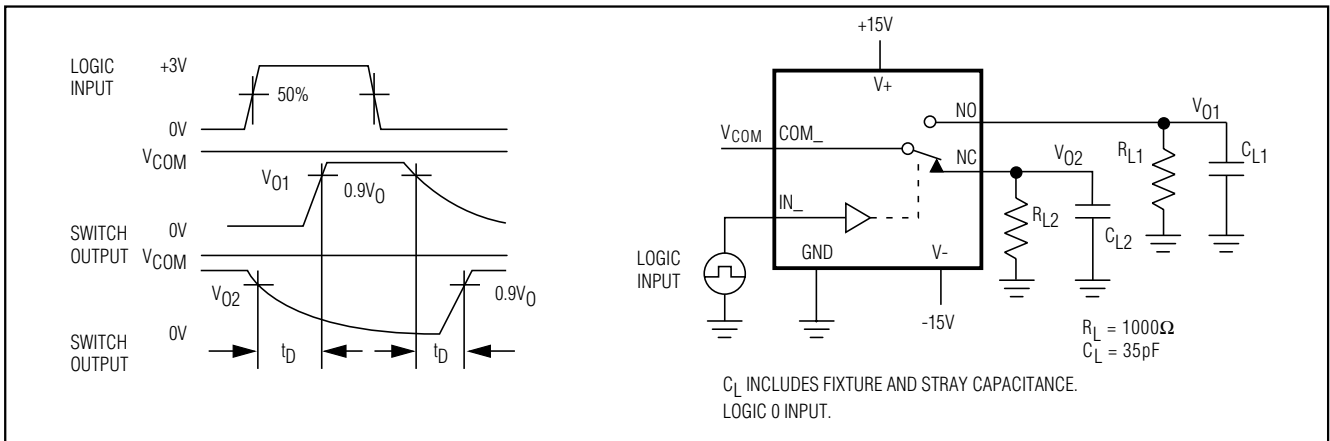


Figure 5. Break-Before-Make

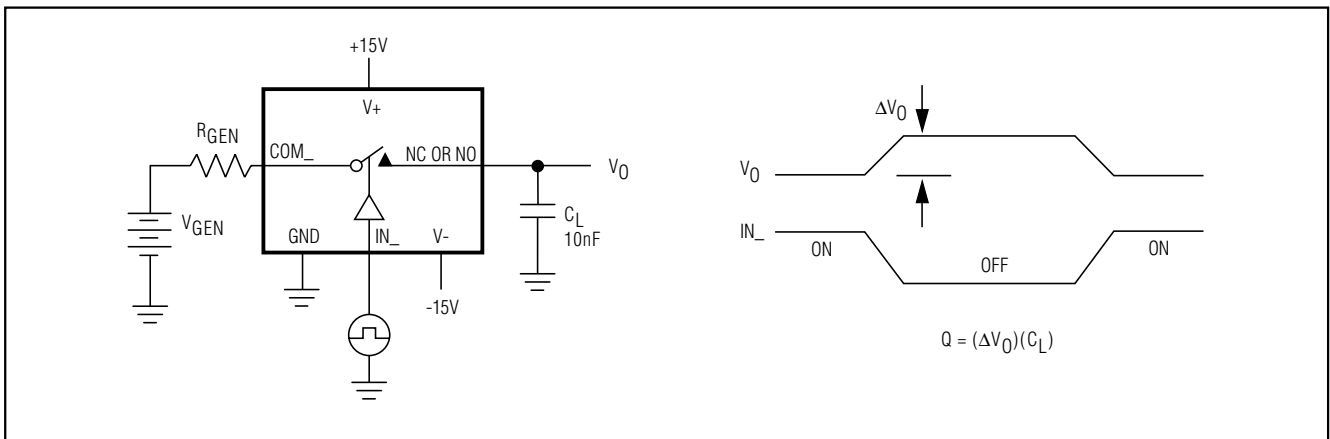


Figure 6. Charge Injection

# Precision, Quad, SPDT, CMOS Analog Switch

## Test Circuits/Timing Diagrams (continued)

**MAX333A**

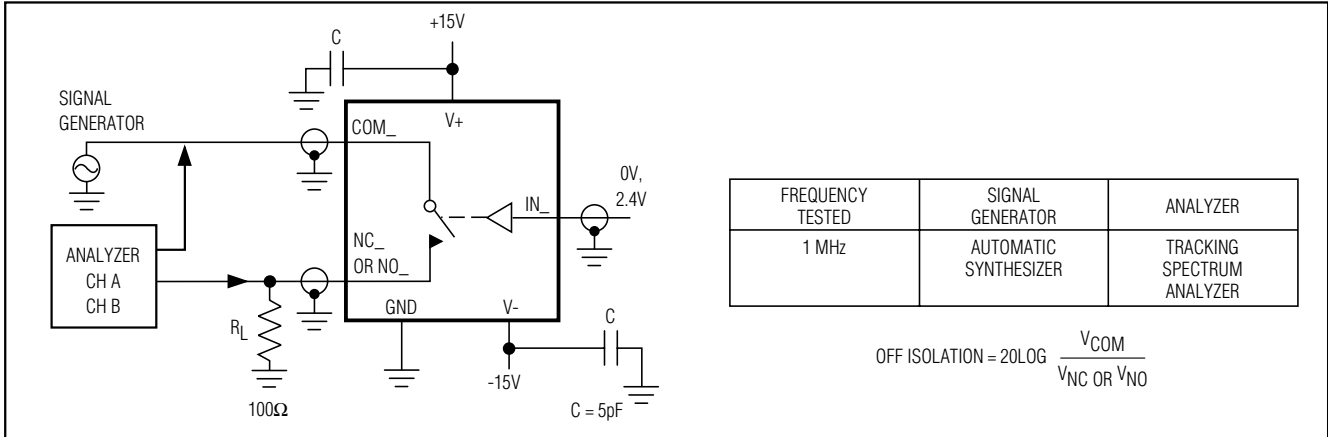


Figure 7. Off-Isolation

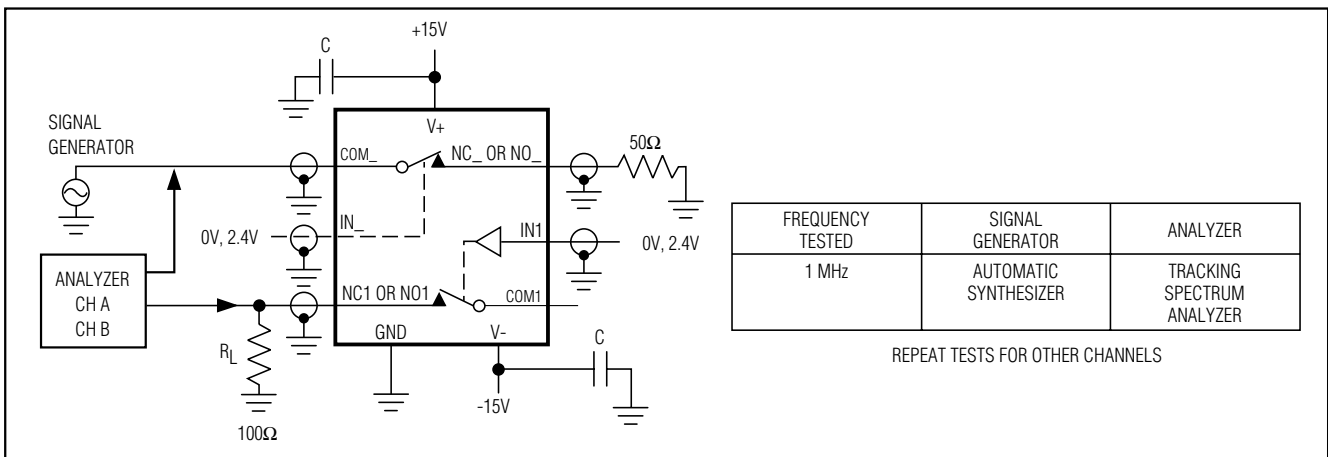
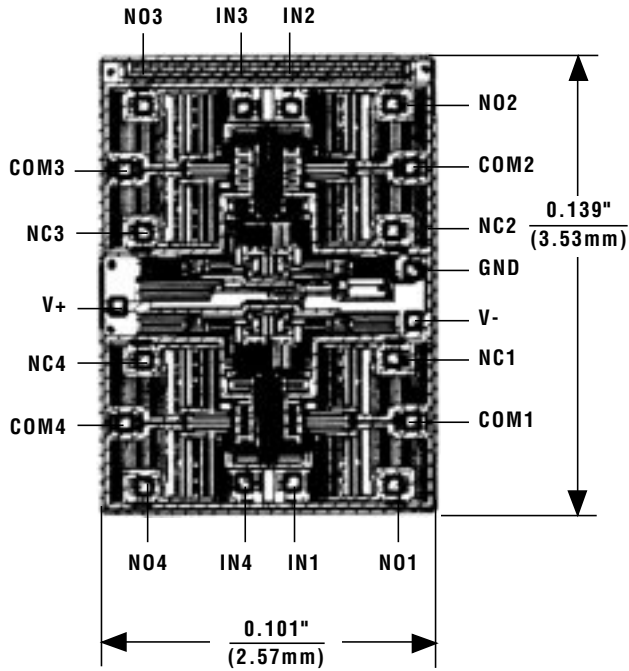


Figure 8. Crosstalk

# Precision, Quad, SPDT, CMOS Analog Switch

**MAX333A**

## Chip Topography



TRANSISTOR COUNT: 145;  
SUBSTRATE CONNECTED TO V+.

Maxim cannot assume responsibility for use of any circuitry other than circuitry entirely embodied in a Maxim product. No circuit patent licenses are implied. Maxim reserves the right to change the circuitry and specifications without notice at any time.

8 Maxim Integrated Products, 120 San Gabriel Drive, Sunnyvale, CA 94086 (408) 737-7600

© 1999 Maxim Integrated Products

Printed USA

MAXIM is a registered trademark of Maxim Integrated Products.






WHAT'S NEW

PRODUCTS

SOLUTIONS

DESIGN

APPNOTES

SUPPORT

BUY

COMPAN

## MAX333A

### Part Number Table

#### Notes:

1. See the [MAX333A QuickView Data Sheet](#) for further information on this product family or download the [MAX333A full data sheet](#) (PDF, 120kB).
2. Other options and links for purchasing parts are listed at: <http://www.maxim-ic.com/sales>.
3. [Didn't Find What You Need?](#) Ask our applications engineers. Expert assistance in finding parts, usually within one business day.
4. Part number suffixes: T or T&R = tape and reel; + = RoHS/lead-free; # = RoHS/lead-exempt. M = [MAX333A data sheet](#) or [Part Naming Conventions](#).
5. \* Some packages have variations, listed on the drawing. "PkgCode/Variation" tells which variation of the product uses.

Part Number	Free Sample	Buy Direct	Package: TYPE PINS SIZE DRAWING CODE/VAR *	Temp	RoHS/ Material
MAX333AMJP	<input type="checkbox"/>	<input type="checkbox"/>	Ceramic DIP;20 pin;.300" Dwg: <a href="#">21-0045A</a> (PDF) Use pkgcode/variation: J20-2*	-55C to +125C	RoHS/L <a href="#">Material</a>
MAX333AC/D	<input type="checkbox"/>	<input type="checkbox"/>			RoHS/L
MAX333AEPP+	<input type="checkbox"/>	<input type="checkbox"/>	PDIP;20 pin;.300" Dwg: <a href="#">21-0043D</a> (PDF) Use pkgcode/variation: P20+5*	-40C to +85C	RoHS/L <a href="#">Material</a>
MAX333ACPP	<input type="checkbox"/>	<input type="checkbox"/>	PDIP;20 pin;.300" Dwg: <a href="#">21-0043D</a> (PDF) Use pkgcode/variation: P20-5*	0C to +70C	RoHS/L <a href="#">Material</a>
MAX333ACPP+	<input type="checkbox"/>	<input type="checkbox"/>	PDIP;20 pin;.300" Dwg: <a href="#">21-0043D</a> (PDF) Use pkgcode/variation: P20+5*	0C to +70C	RoHS/L <a href="#">Material</a>
MAX333AEPP	<input type="checkbox"/>	<input type="checkbox"/>	PDIP;20 pin;.300" Dwg: <a href="#">21-0043D</a> (PDF) Use pkgcode/variation: P20-5*	-40C to +85C	RoHS/L <a href="#">Material</a>
MAX333ACWP+	<input type="checkbox"/>	<input type="checkbox"/>	SOIC;20 pin;.300" Dwg: <a href="#">21-0042B</a> (PDF) Use pkgcode/variation: W20+3*	0C to +70C	RoHS/L <a href="#">Material</a>

MAX333ACWP-T			SOIC;20 pin;.300" Dwg: <a href="#">21-0042B</a> (PDF) Use pkgcode/variation: W20-3*	0C to +70C	RoHS/L <a href="#">Material</a>
MAX333ACWP			SOIC;20 pin;.300" Dwg: <a href="#">21-0042B</a> (PDF) Use pkgcode/variation: W20-3*	0C to +70C	RoHS/L <a href="#">Material</a>
MAX333ACWP+T			SOIC;20 pin;.300" Dwg: <a href="#">21-0042B</a> (PDF) Use pkgcode/variation: W20+3*	0C to +70C	RoHS/L <a href="#">Material</a>
MAX333AEWP			SOIC;20 pin;.300" Dwg: <a href="#">21-0042B</a> (PDF) Use pkgcode/variation: W20-3*	-40C to +85C	RoHS/L <a href="#">Material</a>
MAX333AEWP-T			SOIC;20 pin;.300" Dwg: <a href="#">21-0042B</a> (PDF) Use pkgcode/variation: W20-3*	-40C to +85C	RoHS/L <a href="#">Material</a>
MAX333AEWP+			SOIC;20 pin;.300" Dwg: <a href="#">21-0042B</a> (PDF) Use pkgcode/variation: W20+3*	-40C to +85C	RoHS/L <a href="#">Material</a>
MAX333AEWP+T			SOIC;20 pin;.300" Dwg: <a href="#">21-0042B</a> (PDF) Use pkgcode/variation: W20+3*	-40C to +85C	RoHS/L <a href="#">Material</a>
MAX333AEAP+			SSOP;20 pin;.209" Dwg: <a href="#">21-0056C</a> (PDF) Use pkgcode/variation: A20+2*	-40C to +85C	RoHS/L <a href="#">Material</a>
MAX333AEAP+T				-40C to +85C	RoHS/L
MAX333ACAP			SSOP;20 pin;.209" Dwg: <a href="#">21-0056C</a> (PDF) Use pkgcode/variation: A20-2*	0C to +70C	RoHS/L <a href="#">Material</a>
MAX333ACAP+T			SSOP;20 pin;.209" Dwg: <a href="#">21-0056C</a> (PDF) Use pkgcode/variation: A20+2*	0C to +70C	RoHS/L <a href="#">Material</a>
MAX333ACAP+			SSOP;20 pin;.209" Dwg: <a href="#">21-0056C</a> (PDF) Use pkgcode/variation: A20+2*	0C to +70C	RoHS/L <a href="#">Material</a>
MAX333ACAP-T			SSOP;20 pin;.209" Dwg: <a href="#">21-0056C</a> (PDF) Use pkgcode/variation: A20-2*	0C to +70C	RoHS/L <a href="#">Material</a>
MAX333AEAP-T				-40C to +85C	RoHS/L
MAX333AEAP			SSOP;20 pin;.209" Dwg: <a href="#">21-0056C</a> (PDF) Use pkgcode/variation: A20-2*	-40C to +85C	RoHS/L <a href="#">Material</a>
MAX333ACUP			TSSOP;20 pin;4.4mm Dwg: <a href="#">21-0066I</a> (PDF) Use pkgcode/variation: U20-2*	0C to +70C	RoHS/L <a href="#">Material</a>

MAX333ACUP-T			TSSOP;20 pin;4.4mm Dwg: <a href="#">21-00661</a> (PDF) Use pkgcode/variation: U20-2*	0C to +70C	RoHS/L <a href="#">Material</a>
MAX333ACUP+T			TSSOP;20 pin;4.4mm Dwg: <a href="#">21-00661</a> (PDF) Use pkgcode/variation: U20+2*	0C to +70C	RoHS/L <a href="#">Material</a>
MAX333ACUP+			TSSOP;20 pin;4.4mm Dwg: <a href="#">21-00661</a> (PDF) Use pkgcode/variation: U20+2*	0C to +70C	RoHS/L <a href="#">Material</a>
MAX333AEUP+T			TSSOP;20 pin;4.4mm Dwg: <a href="#">21-00661</a> (PDF) Use pkgcode/variation: U20+2*	-40C to +85C	RoHS/L <a href="#">Material</a>
MAX333AEUP-T			TSSOP;20 pin;4.4mm Dwg: <a href="#">21-00661</a> (PDF) Use pkgcode/variation: U20-2*	-40C to +85C	RoHS/L <a href="#">Material</a>
MAX333AEUP			TSSOP;20 pin;4.4mm Dwg: <a href="#">21-00661</a> (PDF) Use pkgcode/variation: U20-2*	-40C to +85C	RoHS/L <a href="#">Material</a>
MAX333AEUP+			TSSOP;20 pin;4.4mm Dwg: <a href="#">21-00661</a> (PDF) Use pkgcode/variation: U20+2*	-40C to +85C	RoHS/L <a href="#">Material</a>

[Didn't Find What You Need?](#)

[CONTACT US: SEND US AN EMAIL](#)

## X-ON Electronics

Largest Supplier of Electrical and Electronic Components

*Click to view similar products for [Analog Switch ICs category](#):*

*Click to view products by [Maxim manufacturer](#):*

Other Similar products are found below :

[DG9233EDY-GE3](#) [NLAS4684FCTCG](#) [NLAS5223BLMNR2G](#) [NLV74HC4066ADR2G](#) [MC74HC4067ADTG](#) [NLX2G66DMUTCG](#)  
[NS5A4684SMNTAG](#) [732480R](#) [733995E](#) [425541DB](#) [425528R](#) [099044FB](#) [FSA221UMX](#) [MAX4888ETI+T](#) [MAX4968CEXB+](#)  
[MAX4760EWX+T](#) [NLAS3799BMNR2G](#) [NLAS5123MNR2G](#) [NLAS5213AMUTAG](#) [NLAS7222AMTR2G](#) [MAX14807ECB+](#)  
[MAX4968ECM+](#) [NLV14066BDG](#) [LC78615E-01US-H](#) [PI5A4599BCEX](#) [PI5A3157BZUEX](#) [ADG613SRUZ-EP](#) [NLAS4717EPFCT1G](#)  
[PI5A3167CCEX](#) [MAX4744ELB+T](#) [MAX4802ACXZ+](#) [DG4051EEN-T1-GE4](#) [SLAS3158MNR2G](#) [PI5A3157BC6EX](#) [PI5A392AQE](#)  
[MAX4744HELB+T](#) [PI5A4157ZUEX](#) [MC74HC4067ADTR2G](#) [PI5A4158ZAEX](#) [PI5A3166TAEX](#) [MAX4901EBL+T](#) [MAX14510EEVB+T](#)  
[PI3A3899ZTEX](#) [MAX4996ETG+T](#) [MAX4889AETO+T](#) [MAX14508EEVB+T](#) [MAX4701ETE+T](#) [MAX4996LETG+T](#) [NLX2G66FCTAG](#)  
[HI1-5051-2](#)