

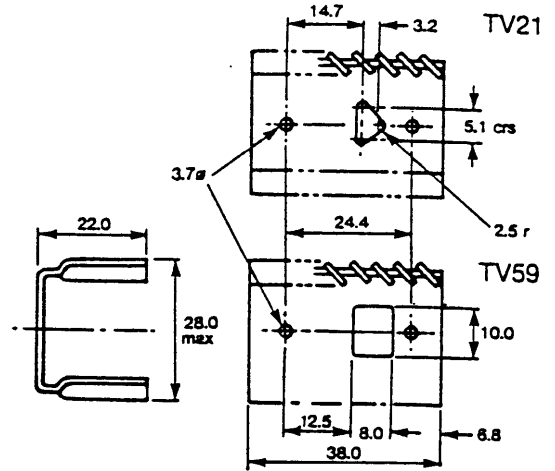
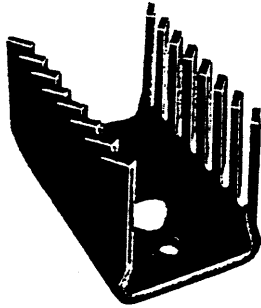
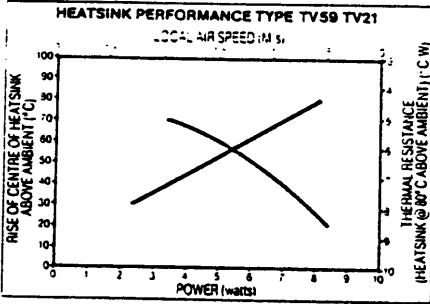
TV59 Powerfin - Pentawatt
TV21 Powerfin - TO220

Twisted vane heatsinks.

Finish: Black anodised

TV59 Pentawatt $\Theta = 9.9^\circ \text{C/W}$

TV21 TO220 $\Theta = 9.9^\circ \text{C/W}$



TV35 TV100 TV101 Powerfin - TO220 etc.

179-935

Designed to accept one or two devices.

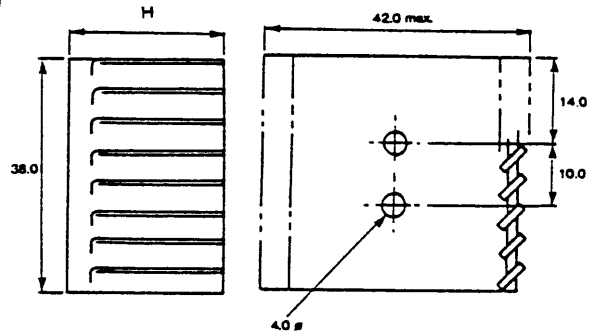
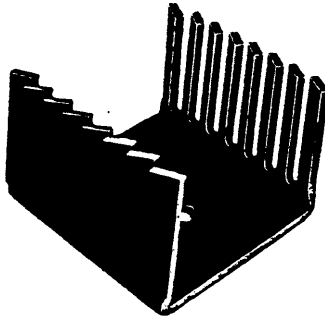
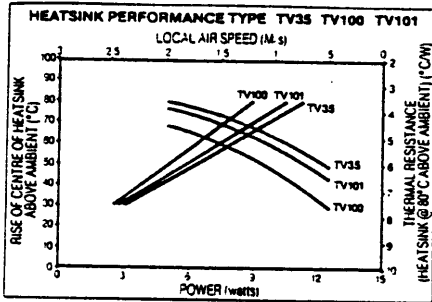
Three fin heights available.

Finish: Black anodised

TV35 H = 25 $\Theta = 7.1^\circ \text{C/W}$

TV100 H = 13 $\Theta = 8.9^\circ \text{C/W}$

TV101 H = 19 $\Theta = 7.6^\circ \text{C/W}$

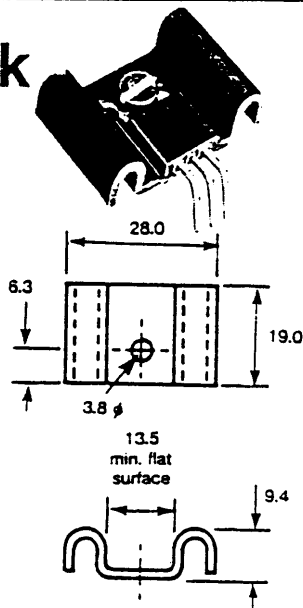
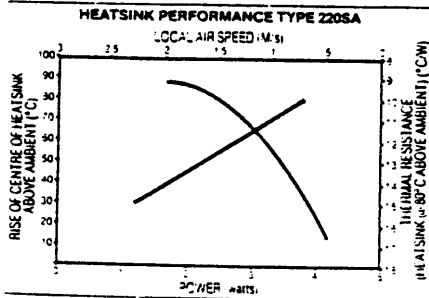


220SA Heatsink
- TO220, 179-938
TO126 etc.

May be mounted flat or free-standing vertically.

Finish: Black anodised

220 SA $\Theta = 21^\circ \text{C/W}$

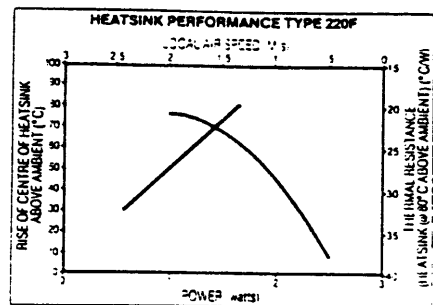


220F Clipsink
- TO220, etc.

For use with majority of tab-mounted devices. When used as illustrated only 7mm additional headroom required. Width is 12.7mm.

Finish: Black anodised.

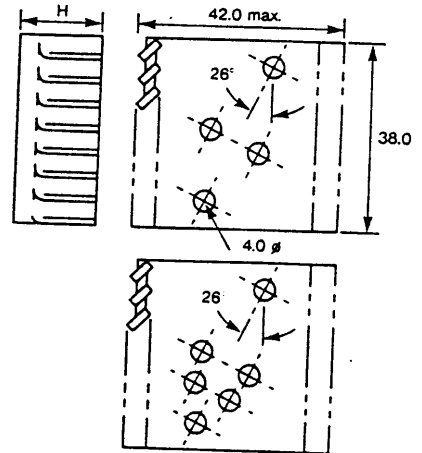
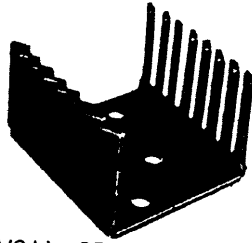
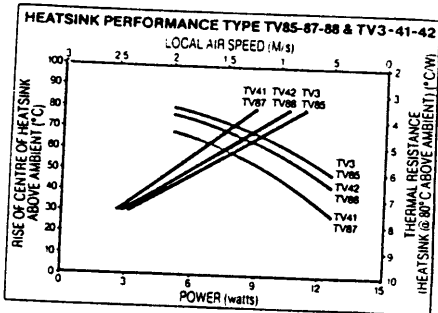
220 F $\Theta = 36^\circ \text{C/W}$



TV3 TV41 TV42 Powerfin - T03 TV85 TV87 TV88 Powerfin - T03 (4 pin)

Twisted vane heatsinks available in 3 fin heights.

Finish: Black anodised.

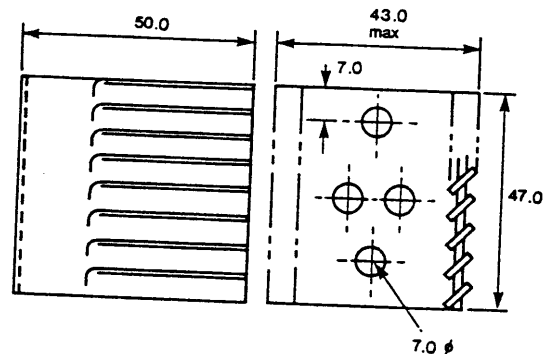
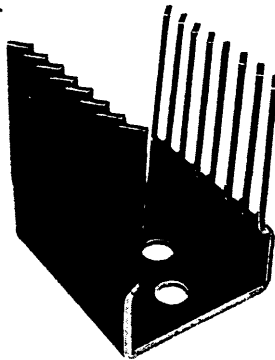
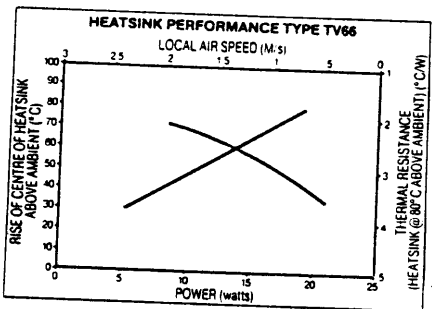


TV3 H = 25 $\Theta = 7.1^\circ \text{C/W}$
 Nato code: 5999.99.652.6966
 TV85 H = 25 $\Theta = 7.1^\circ \text{C/W}$
 TV41
 TV87 H = 13 $\Theta = 8.9^\circ \text{C/W}$
 TV42 H = 19 $\Theta = 7.6^\circ \text{C/W}$
 TV88

TV66 Powerfin - T03 179-937

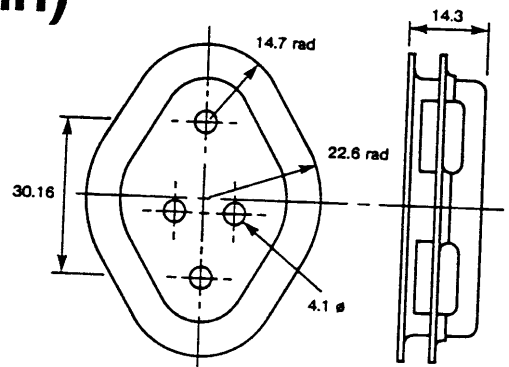
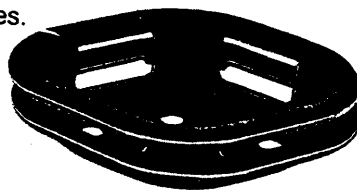
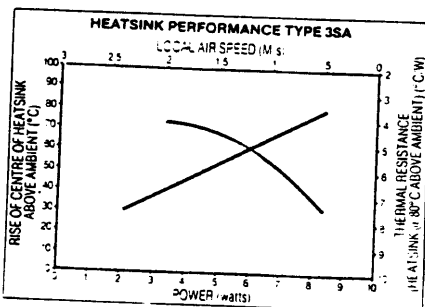
High power dissipation heatsink with unique twisted vanes. Other hole patterns available to order. Finish: Black anodised.

TV66 $\Theta = 4.2^\circ \text{C/W}$



3 SA Shellsink - T03 3 SA - 13 Shellsink - T03 (8 pin)

Close fitting finned shell sink combining good thermal rating with low fin height. See Index for 3SA to suit other devices. Finish: Black anodised.



3SA T03 $\Theta = 9.5^\circ \text{C/W}$
 British Telecom Ref: 1MAA 00136AAF
 Nato code: 5960.99.944.2522

3SA-13 T03 (8 pin) $\Theta = 9.5^\circ \text{C/W}$ (Not illustrated)

X-ON Electronics

Largest Supplier of Electrical and Electronic Components

Click to view similar products for [avid](#) manufacturer:

Other Similar products are found below :

[4005G](#) [097995X](#) [593101B03600G](#) [0S509-140-U](#) [6W-1](#) [097987X](#) [098047EB](#) [358890](#) [2207/PR11B-2ASSYG](#) [780153U04600G](#)
[622852F00000G](#) [THM6070B](#) [782452F00000G](#) [520329A00000G](#) [241404B91200G318382](#) [513002B02500](#) [025069A](#) [098067H](#) [7023B](#)
[320105B00000G](#) [623352F00000G](#) [607602F00000G](#) [098046G](#) [097990R](#) [057455](#) [358891](#) [654452F00000G](#) [780252F00000G](#) [SoftFlex-](#)
[B016-20-01-4000-2000](#) [BS595-50-B](#) [358894](#) [683601F00000](#) [7138DG](#) [4953G](#) [647061](#) [SW38-4](#) [THM6025B](#) [603402F00000G](#)
[783452F00000G](#) [780802F00000G](#) [014379X](#) [416301U00000G](#) [1001](#) [101800F00000G](#) [568103B00000G](#) [1130BG](#) [416601U00000G](#)
[783502F00000G](#) [780652F00000G](#) [780302F00000G](#)