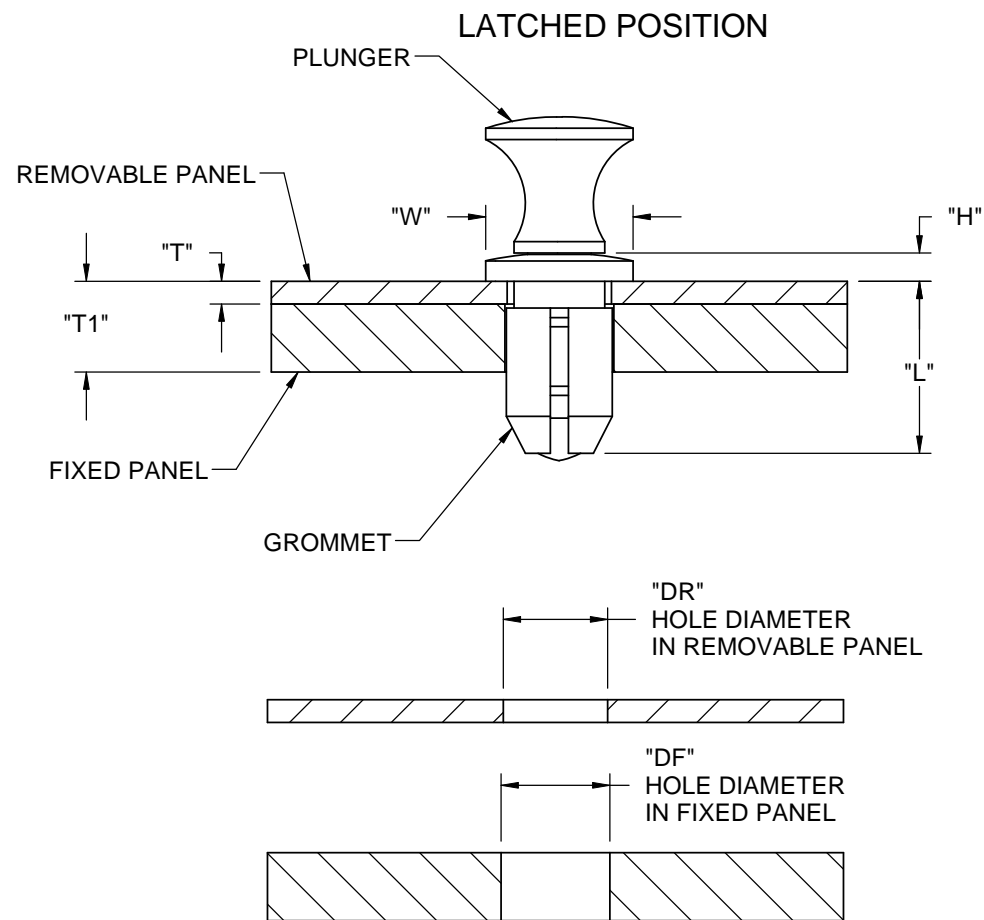
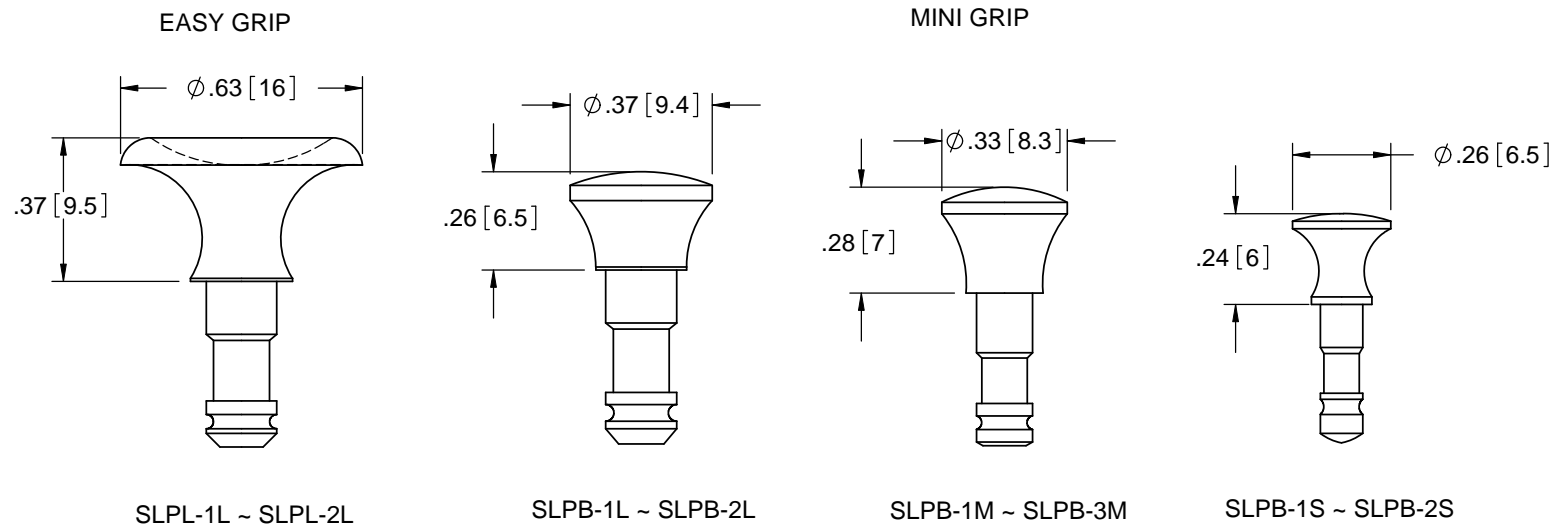


GROMMET NO.	GROMMET DASH NO.	"W"±.012 [0.3]	"H"±.008 [0.2]	"L" REF	"T" MAX	"T1" MAX	"DR" REMOVABLE PANEL HOLE DIA. RANGE	"DF" FIXED PANEL HOLE DIA. RANGE	MATING PLUNGER	ALTERNATE MATING PLUNGER NO.	PLUNGER DASH NO.
SLG	1L	.425 [10.8]	.079 [2]	.354 [9]	.063 [1.6]	.079-.165 [2-4.2]	.295-.303 [7.5-7.7]	.315-.323 [8-8.2]	SLPL	SLPB	1L
	2L			.394 [10]	.098 [2.5]	.118-.205 [3-5.2]					2L
	1M	.335 [8.5]	.071 [1.8]	.315 [8]	.043 [1.1]	.059-.146 [1.5-3.7]	.234-.240 [5.95-6.1]	.250-.256 [6.35-6.5]	SLPB	----	1M
	2M			.335 [8.5]	.063 [1.6]	.079-.165 [2-4.2]					2M
	3M			.374 [9.5]	.098 [2.5]	.118-.272 [3-5.2]					3M
	1S	.256 [6.5]	.047 [1.2]	.299 [7.6]	.039 [1]	.079-.158 [2-4]	.177-.181 [4.5-4.6]	.185-.189 [4.7-4.8]			1S
	2S			.319 [8.1]	.059 [1.5]	.098-.177 [2.5-4.5]					2S



**PLUNGER STYLES**



SLPL-1L ~ SLPL-2L

SLPB-1L ~ SLPB-2L

SLPB-1M ~ SLPB-3M

SLPB-1S ~ SLPB-2S

NOTES:  
 1. PLUNGER MATERIAL: NYLON 6, (RMS-120).  
 2. GROMMET MATERIAL: POLYCARBONATE, (RMS-72).  
 3. COLOR: BLACK OR WHITE; ADD SUFFIX "-B" OR "-W" TO PART NO.

REV.	DESCRIPTION	ENGR.	DATE
L	SEE CO 200604 FOR CHANGES	SK	12/01/10
K	SEE CO 200302 FOR CHANGES	SK	01/06/09
J	SEE CO 200187 FOR CHANGES	S.K.	05/21/08
I	SEE ECN #1157 FOR CHANGES	SJ	4/25/06
H	SEE ECN #944 FOR CHANGES	SK	02/22/05
-	SEE ENG. FOR REVISIONS A-G	-	---

TITLE: <b>SNAP LATCH</b>				DWG IN IN [MM]			
CREATED USING SOLIDWORKS		FILE #: SL	DWN: SK	APP: SK		FINAL	
TOLERANCES UNLESS NOTED .XX=±.01 .XXX=±.005 FRAC.=±1/64 ANG.=±1°		SHEET: 1 OF 1	SHEET SIZE: B	DT: 02/22/05	CHKD: RDG	PART #	PRINT TYPE
RE: RICHCO, INC.		RICHCO, INC. ENG@RICHCO-INC.COM (773) 539-4060		SEE TABLE		CA	

## X-ON Electronics

Largest Supplier of Electrical and Electronic Components

*Click to view similar products for [Vibration Sensors](#) category:*

*Click to view products by [Richco](#) manufacturer:*

Other Similar products are found below :

[D7H-B2](#) [D7H-A1](#) [SCA1000-N1000070-004](#) [LDTC-VERTICAL](#) [SR-4070B](#) [SR-3080B](#) [SR-3065W](#) [SR-3065B](#) [SLG-2M-B](#) [2-1002908-0](#) [1-1002910-0](#) [1-1002786-1](#) [2-1002785-1](#) [1-1002908-0](#) [1-1002608-0](#) [1-1002785-1](#) [2-1002608-0](#) [1006015-1](#) [2-1003744-0](#) [1-1003745-0](#) [2-1002150-0](#) [1-1002150-0](#) [1005935-1](#) [1-1003744-0](#) [3-1004347-0](#) [1001777](#) [1-1004696-0](#) [1-1004347-0](#) [1-1004346-0](#) [PKGS-25TA-R](#) [3-1004346-0](#) [D7S-A0001](#) [SR-3045B](#) [PCH420V-M12-HZ](#) [RB-220-07A R](#) [VS-BV203-B](#) [VS-JV10A-K03](#) [VS-JV10A-K01](#) [VS-JV10A](#) [VS-JV10A-K02](#) [VS-JV10A-K04](#) [1005939-1](#) [1005940-1](#) [1-1000288-0](#) [PKGS-25SXAP1-R](#) [SCA830-D07-1](#) [D7E-1](#) [D7E-2](#) [D7H-B1](#) [RBS070500T](#)