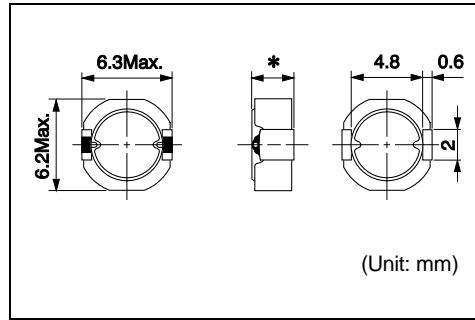
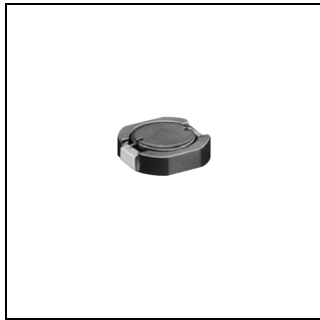


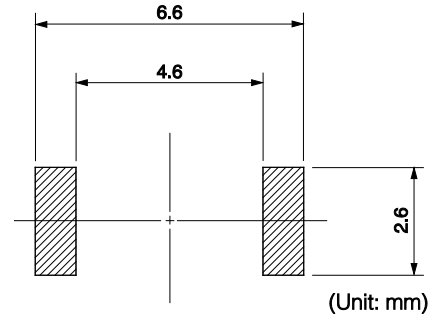
**D62LCB**

Inductance Range: 0.56~47μH



Note (\*) 2.0mm Max. height

**Recommended patterns**  
推荐焊盘尺寸



**FEATURES 特点**

- Low profile (6.2 × 6.3mm Max. square, 2.0mm Max. height).
- Magnetically shielded construction and low DC resistance.
- Suitable for large currents.
- Ideal for a variety of DC-DC converter inductor applications.
- Operating temperature (-40~+85°C)
- 薄型构造（最大6.2x6.3毫米的平面，最大高度2.0毫米）
- 磁性屏蔽结构和低直流电阻
- 适合大电流
- 是适用于多种DC-DC转换器电感器的理想选择
- 使用温度范围：-40 ~ +85°C

**STANDARD PART NUMBERS 标准零件号码**

**TYPE D62LCB (Low DC resistance Type, Quantity/reel; 1,500 PCS)**

零件号码	电感值 <sup>(1)</sup>	公差	最大直流电阻 <sup>(2)</sup>	最大电感减小电流 <sup>(3)</sup> (典型)		最大温度上升电流 <sup>(3)</sup> (典型)
Part Number	Inductance <sup>(1)</sup> (μH)	Tolerance (%)	DC Resistance <sup>(2)</sup> (mΩ) Max. (Typ.)	Inductance Decrease Current <sup>(3)</sup> (A) Max. (Typ.)		Temperature Rise Current <sup>(3)</sup> ΔT=40°C (A) Max. (Typ.)
				$\frac{\Delta L}{L} = 10\%$	$\frac{\Delta L}{L} = 30\%$	
#A918CY-1R0M=P3	1.0	±20	17 (14)	2.97 (3.95)	3.50 (4.67)	3.70 (4.35)
#A918CY-1R5M=P3	1.5	±20	21 (17)	2.48 (3.30)	2.94 (3.92)	3.17 (3.74)
#A918CY-2R0M=P3	2.0	±20	29 (24)	2.06 (2.74)	2.47 (3.30)	2.47 (2.91)
#A918CY-3R3M=P3	3.3	±20	47 (39)	1.65 (2.20)	1.99 (2.65)	2.10 (2.47)
#A918CY-4R7M=P3	4.7	±20	66 (55)	1.33 (1.77)	1.59 (2.11)	1.63 (1.93)
#A918CY-6R2M=P3	6.2	±20	74 (62)	1.25 (1.67)	1.49 (1.99)	1.53 (1.81)
#A918CY-8R2M=P3	8.2	±20	102 (85)	1.03 (1.38)	1.25 (1.66)	1.31 (1.54)
#A918CY-100M=P3	10	±20	118 (98)	1.01 (1.35)	1.22 (1.62)	1.15 (1.36)
#A918CY-120M=P3	12	±20	154 (128)	0.82 (1.10)	0.99 (1.32)	1.17 (1.38)
#A918CY-150M=P3	15	±20	179 (149)	0.79 (1.06)	0.94 (1.25)	0.87 (1.03)
#A918CY-180M=P3	18	±20	207 (172)	0.70 (0.93)	0.83 (1.11)	0.95 (1.12)
#A918CY-220M=P3	22	±20	253 (211)	0.67 (0.89)	0.80 (1.06)	0.78 (0.92)
#A918CY-270M=P3	27	±20	331 (275)	0.55 (0.73)	0.65 (0.87)	0.68 (0.81)
#A918CY-330M=P3	33	±20	368 (306)	0.54 (0.72)	0.63 (0.85)	0.64 (0.76)
#A918CE-390M=P3	39	±20	473 (394)	0.46 (0.61)	0.55 (0.73)	0.59 (0.70)
#A918CE-470M=P3	47	±20	542 (452)	0.42 (0.57)	0.50 (0.67)	0.55 (0.65)

continued from previous page 接上页

STANDARD PART NUMBERS 标准零件号码

**TYPE D62LCB (High current Type, Quantity/reel; 1,500 PCS)**

零件号码	电感值 <sup>(1)</sup>	公差	最大直流电阻 <sup>(2)</sup>	最大电感减小电流 <sup>(3)</sup> (典型)		最大温度上升电流 <sup>(3)</sup> (典型)
Part Number	Inductance <sup>(1)</sup> ( $\mu$ H)	Tolerance (%)	DC Resistance <sup>(2)</sup> (m $\Omega$ ) Max. (Typ.)	Inductance Decrease Current <sup>(3)</sup> (A) Max. (Typ.)		Temperature Rise Current <sup>(3)</sup> $\Delta T=40^{\circ}\text{C}$ (A) Max. (Typ.)
				$\frac{\Delta L}{L} = 10\%$	$\frac{\Delta L}{L} = 30\%$	
#A918BY-R56N=P3	0.56	$\pm 30$	18 (14)	5.9 (7.9)	7.1 (9.4)	4.3 (5.0)
#A918BY-R91N=P3	0.91	$\pm 30$	25 (21)	4.6 (6.1)	5.7 (7.4)	3.4 (4.0)
#A918BY-1R3N=P3	1.3	$\pm 30$	29 (24)	3.8 (5.1)	4.8 (6.3)	3.1 (3.7)
#A918BY-1R8N=P3	1.8	$\pm 30$	42 (35)	3.2 (4.2)	3.9 (5.2)	2.5 (3.0)
#A918BY-2R4N=P3	2.4	$\pm 30$	50 (42)	2.9 (3.8)	3.5 (4.6)	2.3 (2.7)
#A918BY-3R3N=P3	3.3	$\pm 30$	64 (53)	2.4 (3.2)	3.0 (4.0)	2.0 (2.4)
#A918BY-3R9N=P3	3.9	$\pm 30$	86 (72)	2.2 (2.9)	2.7 (3.5)	1.7 (2.0)
#A918BY-4R7M=P3	4.7	$\pm 20$	107 (89)	2.0 (2.7)	2.4 (3.2)	1.5 (1.8)
#A918BY-5R6M=P3	5.6	$\pm 20$	130 (110)	1.9 (2.5)	2.2 (3.0)	1.3 (1.5)

(1) Inductance is measured with a LCR meter 4284A (Agilent Technologies) or equivalent.

Test frequency at 100kHz

(2) DC resistance is measured with 34420A (Agilent Technologies) or 3541 (HIOKI). (Reference ambient temperature 25°C)

(3) Maximum allowable DC current is that which causes a 30% inductance reduction from the initial value, or coil temperature to rise by 40°C, whichever is smaller. (Reference ambient temperature 20°C)

(1) LCR仪表4284A (Agilent技术)或者功能相同的仪器在100kHz下测试电感值。

(2) 通过数码万用表34420A (Agilent技术) 或者3541(HIOKI)测试直流电阻。(环境温度为25°C)

(3) 允许最大直流电的范围是以下两者中比较小的一个: 引起电感值从最初值降低30%, 或者线圈温度升高40°C。(参考周围环境温度20°C)。

## X-ON Electronics

Largest Supplier of Electrical and Electronic Components

*Click to view similar products for [murata](#) manufacturer:*

Other Similar products are found below :

[786028C](#) [MGJ1D121905MPC-R7](#) [MGJ2D051515SC](#) [82103C](#) [82224C](#) [82473C](#) [GCM32EC71H106MA03L](#) [GRM2165C1H101FA01D](#)  
[PTGL09AS2R2K3B51B0](#) [11R683C](#) [DD1274AS-H-220M=P3](#) [DFE252012P-1R0M=P2](#) [BPM15-120-Q12P-C](#) [NMK1212SC](#) [NMV1212DAC](#)  
[LQH43MN330J03L](#) [GJM0335C1E220GB01D](#) [GRM1885C1H150FA01J](#) [GRM3195C2A471JD01D](#) [RF1211C](#) [MGJ2D121509SC](#)  
[MGJ6D122005LMC-R7](#) [#B953AS-330M=P3](#) [BLM18AG601SN1J](#) [HN-214](#) [HN-214X](#) [TZ03P450](#) [UEE-12/12.5-D48NB-C](#) [LBWB1ZZYDZ-](#)  
[DTEMP-SNIC-UART-A](#) [LLM315R70J225MA11L](#) [46334C](#) [DR4103](#) [SCA830-D07-PCB](#) [NKE1212DC](#) [NMA1215SC](#) [UVQ-48/2.5-D24PB-C](#)  
[IML-0642](#) [HPR105C](#) [HPQ-12/25-D48PB-C](#) [UWS-5/10-Q48N-C](#) [UWR-5/2000-D24E-C](#) [19R683C](#) [UHE-152000-D24-C](#) [782485/35C](#) [UEI-](#)  
[3.3/15-Q12PR-C](#) [MGJ2D122005SC](#) [MEV1S0505SC](#) [MEMS-EVAL-BOARD](#) [MEJ2D0512SC](#) [MEE3S1215SC](#)