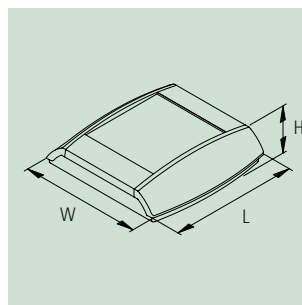
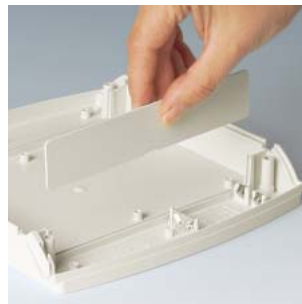




Off-white, RAL 9002



THE PRODUCT

You can hardly present your communication and network components in a more attractive way.

The new DIATEC is an attractive eye-catcher in your direct living and working environment. But this innovative range of cases also offers many functional benefits.

All details are designed to match each other perfectly. Depending on requirements, different equipment options and connections are possible.

YOUR ADVANTAGE

Modern, flat enclosure design, ideal for table top and wall-mounting applications.

Plain, recessed area on the bottom part for installation and protection of interfaces, screwed cable glands, plug-in connections etc.

Easy, invisible wall-mounting.

Recessed operating area for the protection of the membrane keyboards and operating elements.

Hinged lid in case colour or transparent for covering the dialogue zone as accessory.

Alternatively without/with battery operation for 2 x 1.5 V mignon-cells (AA) or 1 x 9 V flat battery (PP3).

Separate slot-in panels can be used as interior partitions, for example to guard the electronics when changing batteries.

APPLICATIONS

Systems for data collection on the job.

Access and security controls. Peripheral equipment for computers, data system engineering.

Measuring and controlling.

Medical field and laboratory technology.

PROTECTION CLASS IP 40

MAX. SIZE OF PCB

DIATEC	L x W in mm	
	bottom part	top part
S	120 x 180	120 x 180
M	180 x 180	180 x 180

INFO-BOX

Innovative technology

The bottom part can be mounted directly on the wall. It is secured either using elongated holes or by the corners of the case. A particular advantage is the separation of the electronics area using optional slot-in panels. This allows the complete pre-assembly of the electronics unit. The technician on site only has to mount the unit on the wall and connect up the relevant leads. Connection can be effected from the left and/or from the right-hand side. The actual case does not have to be opened to do this, only the snap-on side trims. If required, the trims can also be locked, thus preventing unauthorised access.

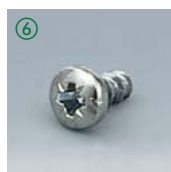
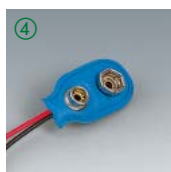


ENCLOSURES*1

DIATEC	Outside dim. in mm			Equipment (dim. in mm) max. dim. keypad	Material	Part-No.
	L	W	H			
S	200	210	48	127.60 x 119.70	ABS (UL 94 HB)	A 90 93 107
M	200	270	48	127.60 x 179.60	ABS (UL 94 HB)	A 90 94 107

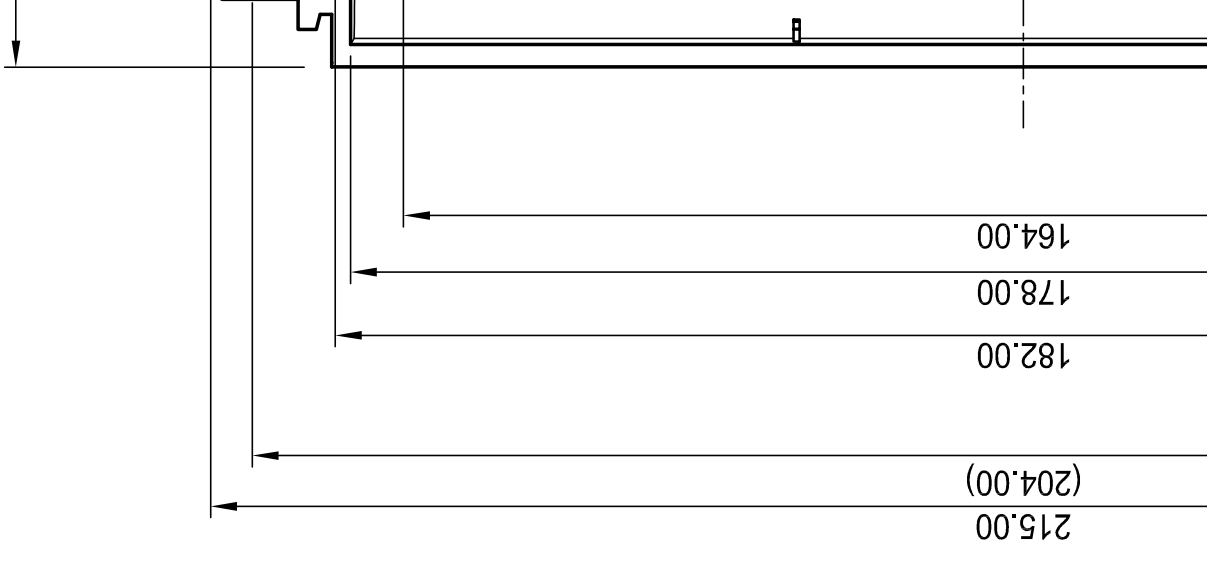
ACCESSORIES

Article	For enclosure DIATEC	Version / Application	Part-No.	
			ABS, off-white	PC, transparent
① Hinged lid	S	2 mounting holes \varnothing 4.2 mm necessary, 1 set	A 91 93 127	A 91 93 121
	M	2 mounting holes \varnothing 4.2 mm necessary, 1 set	A 91 94 127	A 91 94 121
② Slot-in panel	S, M	ABS, off-white, 156 x 30 x 3 mm, 1 pc	A 91 94 007	
③ Set of battery clips	S, M	tin-plated, for 2 x 1.5 V mignon cells (AA)	A 91 90 002	
④ Plug-in contact	S, M	for one 9 V flat battery (PP3)	A 91 60 003	
⑤ Non-slip pads	S, M	transp., self-adhesive, ensure reliable desk-top positioning, 1 pair	A 92 12 330	
⑥ Self-tapping screw	S, M	\varnothing 3 x 6 mm, for mounting PCBs, 1 pc	A 03 06 031	



*1 Supply: Each 1 bottom and top part, each 1 trim left and right side incl. 2 locking elements, assembly kit.

NEW PRODUCT



6

7

8

M

L

X-ON Electronics

Largest Supplier of Electrical and Electronic Components

Click to view similar products for [OKW](#) manufacturer:

Other Similar products are found below :

[A1101006](#) [A3320005](#) [A4110104](#) [A4120002](#) [A4120100](#) [A5116000](#) [A9077109](#) [D9052409](#) [D9053429](#) [A4123105](#) [A4223000](#) [A7316010](#)
[D9051459](#) [D9072149](#) [D9408441](#) [A1422469](#) [A4213008](#) [A6023019](#) [D1040465](#) [D2012121](#) [D2512017](#) [D5111807](#) [D9050309](#) [D9052288](#)
[A1101004](#) [A1320260](#) [A4110102](#) [A4420010](#) [D3015317](#) [D4054117](#) [D5111057](#) [D5116057](#) [D9413648](#) [D9413747](#) [A1031639](#) [A1103004](#)
[A1319560](#) [A1416449](#) [A3240107](#) [A4140100](#) [A4431060](#) [A7510000](#) [D9064017](#) [D9071127](#) [D9071229](#) [D9413333](#) [A1102007](#) [A1313540](#)
[A4116107](#) [A4123007](#)