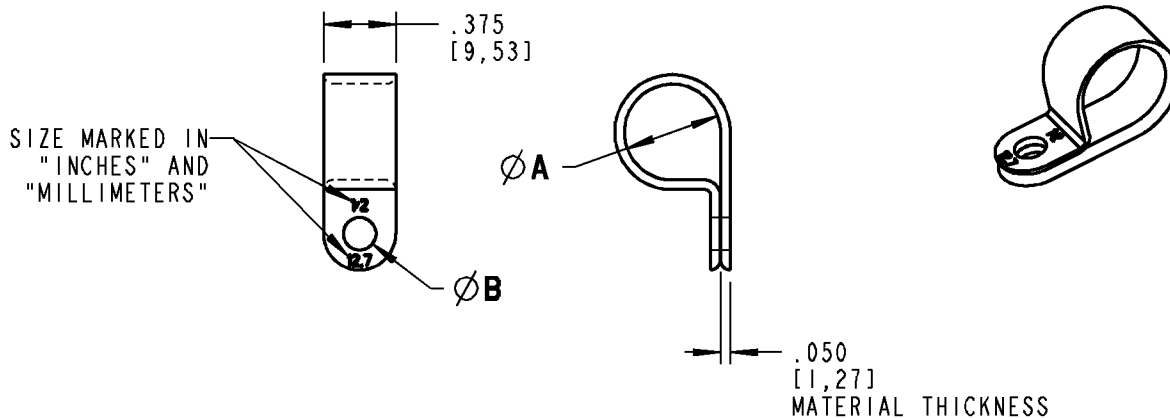


Ty-Rap



NOTES:

1. MATERIAL: NYON 6/6
2. FLAMMABILITY RATING: UL94V-2
3. OPERATING TEMPERATURE RANGE: -40°F [-40°C] TO 185°F [85°]
4. PLAIN EDGE CABLE CLAMPS ARE DESIGNED TO PERFORM TO NAS-1397P
5. FULLY RADIUSED INSIDE EDGES
6. NON-CONDUCTIVE; NON-CORROSIVE, RESISTANT TO FUELS, LUBRICANTS AND MOST CHEMICALS

CATALOG NUMBER	SIZE	ØA	ØB	SCREW SIZE
N4NY-002-***	1/8" [3,2]	.125 [3,2]	.170 [4,3]	#8
N4NY-003-***	3/16" [4,7]	.187 [4,7]		
N4NY-004-***	1/4" [6,3]	.250 [6,3]		
N4NY-005-***	5/16" [7,9]	.312 [7,9]		
N4NY-006-***	3/8" [9,5]	.375 [9,5]		
N4NY-007-***	7/16" [11,1]	.437 [11,1]		
N4NY-008-***	1/2" [12,7]	.500 [12,7]	.203 [5,2]	#10
N4NY-002B-***	1/8" [3,2]	.125 [3,2]		
N4NY-003B-***	3/16" [4,7]	.187 [4,7]		
N4NY-004B-***	1/4" [6,3]	.250 [6,3]		
N4NY-005B-***	5/16" [7,9]	.312 [7,9]		
N4NY-006B-***	3/8" [9,5]	.375 [9,5]		
N4NY-007B-***	7/16" [11,1]	.437 [11,1]		
N4NY-008B-***	1/2" [12,7]	.500 [12,7]		

* = COLOR CODE- 0 = BLACK
9 = NATURAL

** = PACKAGE QUANTITY- C = 100
M = 1,000

GENERAL NOTES

1. ALL DIMENSIONS ARE FOR REFERENCE ONLY.
2. DIMENSIONS IN BRACKETS [] ARE IN METRIC UNITS.

REVISIONS

** SEE ERN (****) FOR APPROVAL SIGNATURES & RELEASE DATE.
PROJECT NO: ****

Thomas & Betts
www.tnb.com

DESCRIPTION: **PLAIN EDGE CABLE CLAMP (N4NY SERIES)**

ORIGINAL PROJECT NO / (ERN NO) FM401229 / 2009113	SHEET NO: 1 OF 1	REV. NO: -	DRAWING NO: WSD-000389
---	----------------------------	----------------------	----------------------------------

X-ON Electronics

Largest Supplier of Electrical and Electronic Components

Click to view similar products for [Wire Identification category](#):

Click to view products by [ABB manufacturer](#):

Other Similar products are found below :

[CU6337-000](#) [CU6342-000](#) [FCA-410-12](#) [11631010](#) [1-1768037-1](#) [1-1768037-2](#) [1-1768050-0](#) [PXLK-VI](#) [Q62184-1](#) [A64304-000](#) [QMT221](#)
[HK032WE1NF038B](#) [1330-0519-10](#) [1395199-1](#) [1395200-1](#) [1395202-1](#) [DMVF050WE-300S6](#) [D-SCE-1K-2.4-50-4-CS7834](#) [1538738-1](#)
[E90935-000](#) [EC1238-000](#) [EC1465-000](#) [EC1855-000](#) [EC1859-000](#) [EC1863-000](#) [EC5415-000](#) [EC7277-000](#) [EC7352-000](#) [EC7603-000](#)
[EC7707-000](#) [EC7735-000](#) [EC7768-000](#) [EC7828-000](#) [EC7854-000](#) [EC7952-000](#) [EC8128-000](#) [1768037-8](#) [1768041-7](#) [NC-127191-10-9](#)
[HS048WE2NF038B](#) [C03232-000](#) [HTCM-SCE-14-4H-9](#) [HTMS-3/16-9](#) [HT-SCE-1/4-2.0-4](#) [HT-SCE-3/16-2.0-4](#) [HTTMS-1/2-1.50-9](#) [HTTMS-](#)
[CM-1/2-4H-9](#) [HX-SCE-19.0-50-9](#) [HX-SCE-6.4-50-4](#) [C25254-000](#)