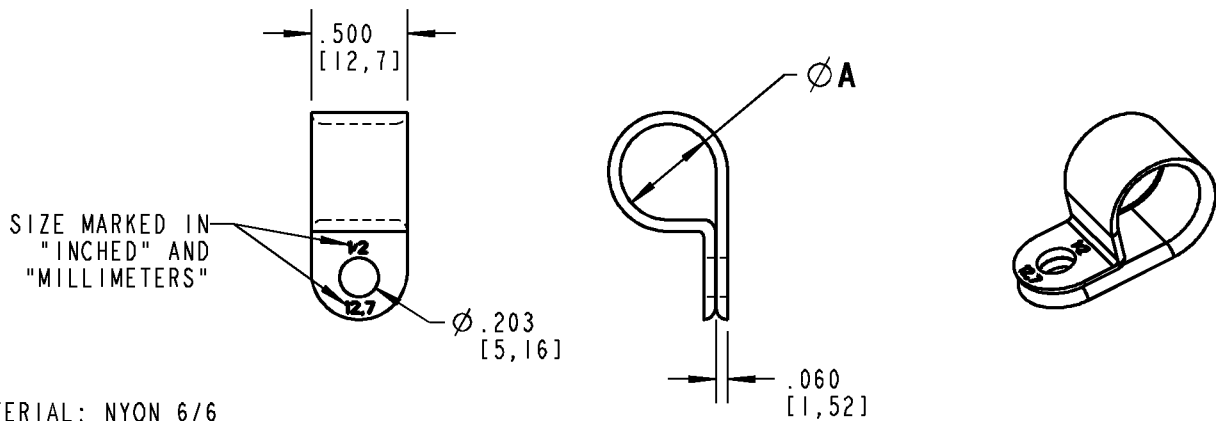


Ty-Rap




NOTES:

1. MATERIAL: NYON 6/6
2. FLAMMABILITY RATING: UL94V-2
3. OPERATING TEMPERATURE RANGE: -40°F [-40°C] TO 185°F [85°]
4. PLAIN EDGE CABLE CLAMPS ARE DESIGNED TO PERFORM TO NAS-1397P
5. FULLY RADIUSED INSIDE EDGES
6. NON-CONDUCTIVE; NON-CORROSIVE, RESISTANT TO FUELS, LUBRICANTS AND MOST CHEMICALS

CATALOG NUMBER	SIZE	ØA	MOUNTING SCREW SIZE
N6NY-004C-***	1/4" [6,4]	.250 [6,35]	#10 (.190)
N6NY-005C-***	5/16" [7,9]	.312 [7,92]	
N6NY-006C-***	3/8" [9,5]	.375 [9,53]	
N6NY-007C-***	7/16" [11,1]	.438 [11,13]	
N6NY-008C-***	1/2" [12,7]	.500 [12,7]	
N6NY-009-***	9/16" [14,3]	.562 [14,27]	
N6NY-010-***	5/8" [15,9]	.625 [15,88]	
N6NY-011-***	11/16" [17,5]	.688 [17,48]	
N6NY-012-***	3/4" [19,1]	.750 [19,05]	
N6NY-013-***	13/16" [20,6]	.812 [20,62]	
N6NY-014-***	7/8" [22,2]	.875 [22,23]	
N6NY-016-***	1" [25,4]	1.000 [25,4]	
N6NY-018-***	1-1/8" [28,6]	1.125 [28,58]	
N6NY-019-***	1-3/16" [30,2]	1.188 [30,18]	
N6NY-020-***	1-1/4" [31,8]	1.250 [31,75]	
N6NY-022-***	1-3/8" [34,9]	1.375 [34,93]	
N6NY-024-***	1-1/2" [38,1]	1.500 [38,1]	

* = COLOR CODE- 0 = BLACK
9 = NATURAL

** = PACKAGAGE QUANTITY- C = 100
D = 500
M = 1,000

GENERAL NOTES		 www.tnb.com			
1. ALL DIMENSIONS ARE FOR REFERENCE ONLY. 2. DIMENSIONS IN BRACKETS [] ARE IN METRIC UNITS.					
REVISIONS		DESCRIPTION: PLAIN EDGE CABLE CLAMP (N6NY SERIES)			
- SEE ERN (****) FOR APPROVAL SIGNATURES & RELEASE DATE. PROJECT NO: ****		ORIGINAL PROJECT NO / (ERN NO)	SHEET NO:	REV. NO:	DRAWING NO:
		FMA01229 / (201477)	1 OF 1	-	WSD-000525

X-ON Electronics

Largest Supplier of Electrical and Electronic Components

Click to view similar products for [Wire Identification category](#):

Click to view products by [ABB manufacturer](#):

Other Similar products are found below :

[CU6337-000](#) [CU6342-000](#) [FCA-410-12](#) [11631010](#) [1-1768037-1](#) [1-1768037-2](#) [1-1768050-0](#) [PXLK-VI](#) [Q62184-1](#) [A64304-000](#) [QMT221](#)
[HK032WE1NF038B](#) [1330-0519-10](#) [1395199-1](#) [1395200-1](#) [1395202-1](#) [DMVF050WE-300S6](#) [D-SCE-1K-2.4-50-4-CS7834](#) [1538738-1](#)
[E90935-000](#) [EC1238-000](#) [EC1465-000](#) [EC1855-000](#) [EC1859-000](#) [EC1863-000](#) [EC5415-000](#) [EC7277-000](#) [EC7352-000](#) [EC7603-000](#)
[EC7707-000](#) [EC7735-000](#) [EC7768-000](#) [EC7828-000](#) [EC7854-000](#) [EC7952-000](#) [EC8128-000](#) [1768037-8](#) [1768041-7](#) [NC-127191-10-9](#)
[HS048WE2NF038B](#) [C03232-000](#) [HTCM-SCE-14-4H-9](#) [HTMS-3/16-9](#) [HT-SCE-1/4-2.0-4](#) [HT-SCE-3/16-2.0-4](#) [HTTMS-1/2-1.50-9](#) [HTTMS-](#)
[CM-1/2-4H-9](#) [HX-SCE-19.0-50-9](#) [HX-SCE-6.4-50-4](#) [C25254-000](#)