

## SPECIFICATION FOR APPROVAL

# Ideal Power

CUSTOMER: \_\_\_\_\_

DESCRIPTION: I.T.E. POWER SUPPLY REV: (A1)

MODEL NO: HK-U-050A120-CP PART NO: HKSC-112124  
ROHS Compliance

DESIGNED NO: 112124-1207 DATE: FEB.03th.2012

CUSTOMER APPROVED SIGNATURES			VENDOR APPROVED SIGNATURES		
					



MODEL NO. :	HK-U-050A120-CP	PAGE NO. :	1 OF 11
PART NO. :	HKSC-112124	ISSUED DATE:	2012.02.03
DESCRIPTION :	I.T.E. POWER SUPPLY	REV:	(A1)

## CONTENTS

1. INTRODUCTION
2. INPUT REQUIREMENTS
3. OUTPUT REQUIREMENTS
4. EFFICIENCY
5. LINE REGULATION
6. HOLD UP TIME
7. TURN ON TIME
8. TEMPERATURE COEFFICIENT
9. DIELECTRIC STRENGTH (Hi-Pot) TEST
10. INSULATION RESISTANCE
11. PROTECTION
12. ENVIRONMENTAL CONDITIONS
13. EMI/ EMC
14. RELIABILITY AND QUALITY CONTROL
15. SAFETY
16. OVERALL DRAWING
17. USE SPECIFICATION
18. PACKING
19. MARKING

MODEL NO. :	HK-U-050A120-CP	PAGE NO. :	2 OF 11
PART NO. :	HKSC-112124	ISSUED DATE:	2012.02.03
DESCRIPTION :	I.T.E. POWER SUPPLY	REV:	(A1)

### 1.0 INTRODUCTION

This document specifies a switching power supply with a output of +5V, and electronic process. The switching power supply will provide power for technology equipments including electrical business equipment. The adaptor meets the requirement of lead free and RoHS.

### 2.0 INPUT REQUIREMENTS

2.1 Input Voltage Range: 100(-10%)VAC to 240(+10%)VAC

2.2 Input Frequency Range: 47 Hz to 63 Hz

2.3 Input Power Consumption at no-load : 0.3W Max

2.4 Input In-rush Current: 50A Max

2.5 Input Current: 0.2A Max

### 3.0 OUTPUT REQUIREMENTS

3.1 Output Voltage: +5V

3.2 Output Regulation: 4.7-5.4V

3.3 Output Load Range: 1.2A

3.4 Output Ripple & Noise: 300mV Max @20MHz bandwidth with  
10UF/50V capacitance and 104/50V ceramic capacitor.

4.0 EFFICIENCY:  $\geq 69.53\%$  @ average of 25/50/75/100% loads 115V&230V AC input

5.0 LINE REGULATION: 2% maximum

6.0 HOLD UP TIME: 10ms Min at 110VAC full load.

7.0 TURN ON TIME: 2S Max at 110VAC full load.

MODEL NO. :	HK-U-050A120-CP	PAGE NO. :	3 OF 11
PART NO. :	HKSC-112124	ISSUED DATE:	2012.02.03
DESCRIPTION :	I.T.E. POWER SUPPLY	REV:	(A1)

8.0 TEMPERATURE COEFFICIENT: 0.05%/°C

9.0 DIELECTRIC STRENGTH (Hi-Pot) TEST

9.1 Finished product withstands AC 3.0KV, for 2 second, 4mA Max primary to secondary.

9.2 Finished product withstands AC 3.0KV, for 2 second, 4mA Max primary to case.

10.0 INSULATION RESISTANCE

Primary to secondary: 50M OHM to 500VDC.

11.0 PROTECTION

11.1 Input Protection

The switching power supply has a 10 ohm resistance current fuse to protect itself.

11.2 Output Protection

11.2.1 Output Current:

Overload conditions shall decrease the output voltage. Removal of an output overload shall provide automatic recovery for the output voltage.

11.2.2 Short Circuit Protection: Auto Recovery.

MODEL NO. :	HK-U-050A120-CP	PAGE NO. :	4 OF 11
PART NO. :	HKSC-112124	ISSUED DATE:	2012.02.03
DESCRIPTION :	I.T.E. POWER SUPPLY	REV:	(A1)

## 12.0 ENVIRONMENTAL CONDITIONS

The switching power supply can withstand the following environmental conditions:

12.1 Storage Temperature:-20°C ~ +70 °C

Relative Humidity: 10% ~ 95%

12.2 Operation Temperature:0°C~40°C

Relative Humidity: 10%~95%

## 13.0 EMI / EMC

The switching power supply has approved by the following safety standards:

FCC PART 15B AS/NZS 55022/55024 GB9254-2008,GB17625.1-2003

(1)EN55022(EN61000-3-2. EN61000-3-3)

(2)EN55024(IEC61000-4-2. IEC61000-4-3. IEC61000-4-4.

IEC61000-4-6. IEC61000-4-8. IEC61000-4-11.)

## 14.0 RELIABILITY AND QUALITY CONTROL

### 14.1 Burn-in

The burn-in test will be performed at least 2 hours at 40 centigrade degrees under full load condition.

### 14.2 MTBF

When the operation is complying with this specification, the switching power supply's MTBF will be 50,000 hours at 25 centigrade degrees.

## 15.0 SAFETY

The switching power supply has approved by the following safety standards:

UL60950-1 2nd Edition ,2007-03-27 CSA C22.2 NO.60950-1-07,

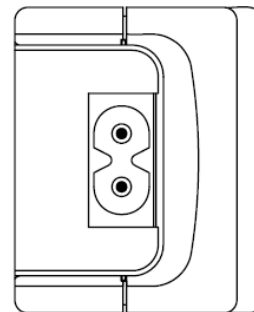
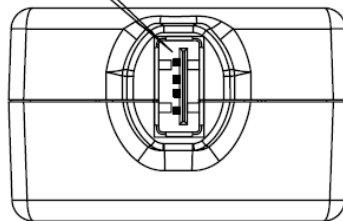
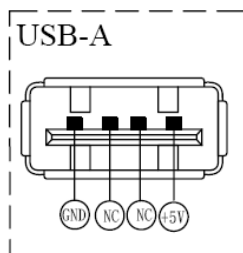
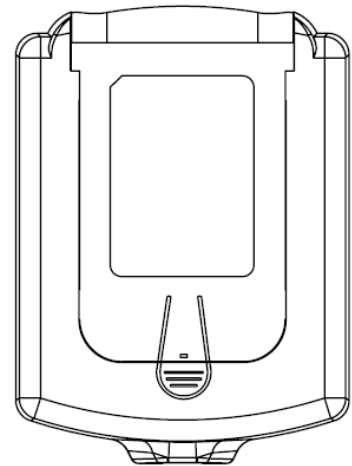
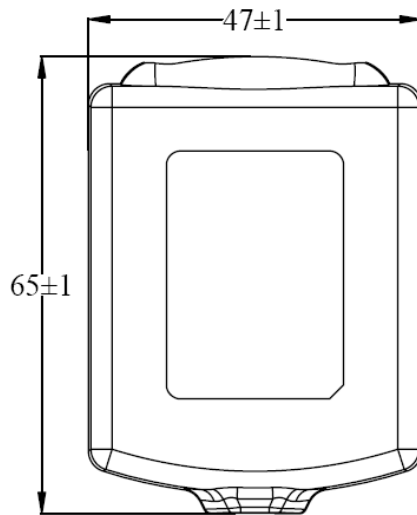
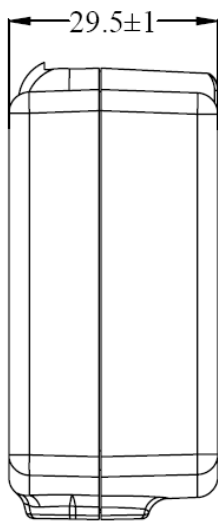
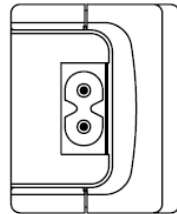
2nd Edition.2007-03 EN60950-1: 2006+A11 BS EN 60950-1: 2006

AS/NZS 60950.1:2003 inc amendment1.2&3 GB4943-2001

MODEL NO. :	HK-U-050A120-CP	PAGE NO. :	5 OF 11
PART NO. :	HKSC-112124	ISSUED DATE:	2012.02.03
DESCRIPTION :	I.T.E. POWER SUPPLY	REV:	(A1)

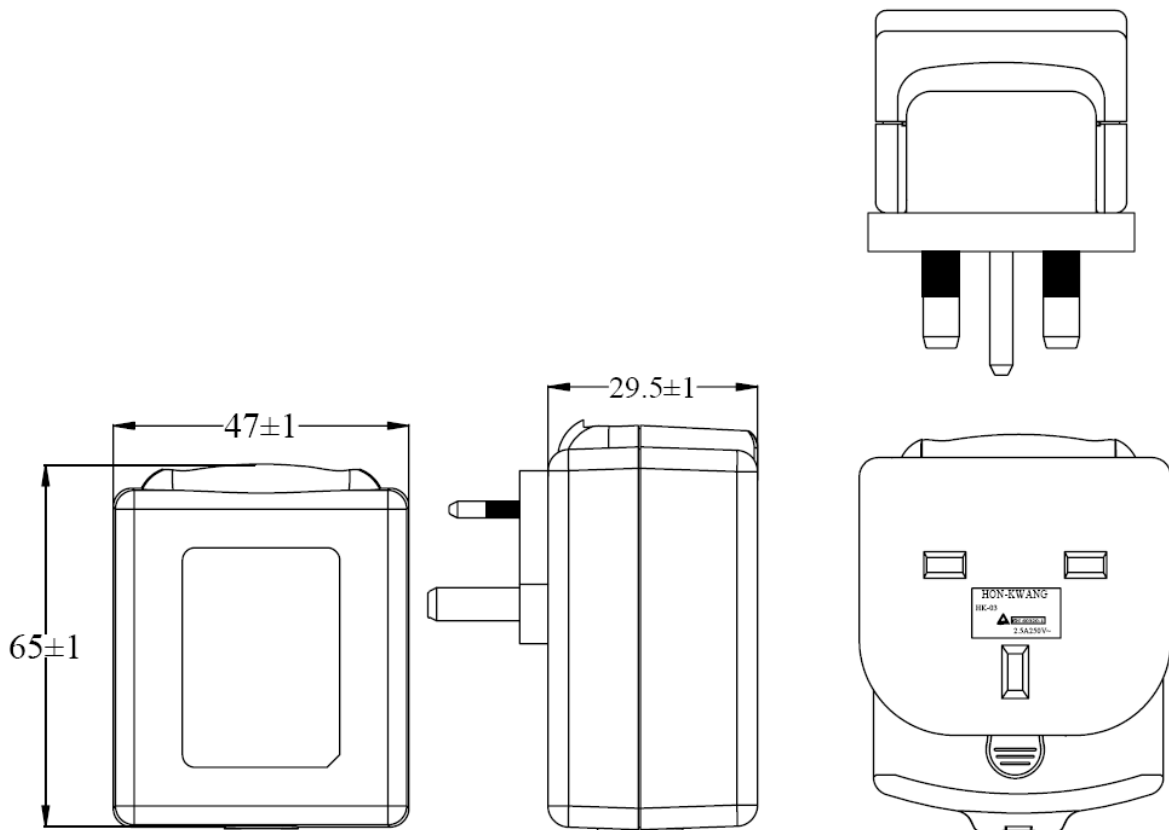
## 16. OVERALL DRAWING

UNIT: mm



MODEL NO. :	HK-U-050A120-CP	PAGE NO. :	6 OF 11
PART NO. :	HKSC-112124	ISSUED DATE:	2012.02.03
DESCRIPTION :	I.T.E. POWER SUPPLY	REV:	(A1)

UNIT: mm

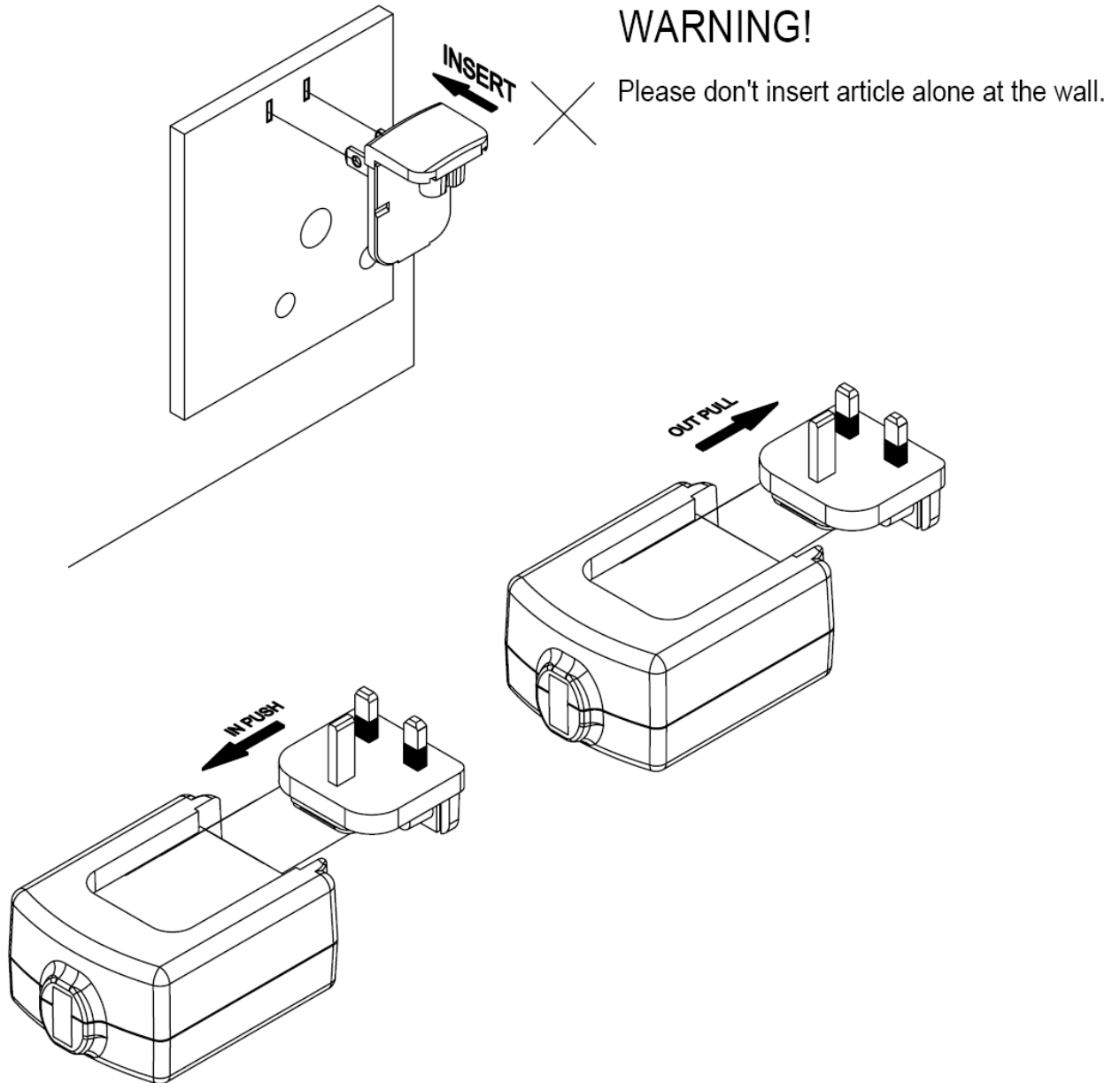


UK



MODEL NO. :	HK-U-050A120-CP	PAGE NO. :	7 OF 11
PART NO. :	HKSC-112124	ISSUED DATE:	2012.02.03
DESCRIPTION :	I.T.E. POWER SUPPLY	REV:	(A1)

## 17. USE SPECIFICATION



MODEL NO. :	HK-U-050A120-CP	PAGE NO. :	8 OF 11
PART NO. :	HKSC-112124	ISSUED DATE:	2012.02.03
DESCRIPTION :	I.T.E. POWER SUPPLY	REV:	(A1)

## 18. PACKING

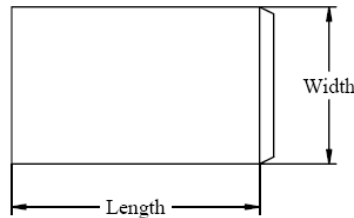
### 18.1 Inner Box

UNIT: mm

PE BAG

Length :

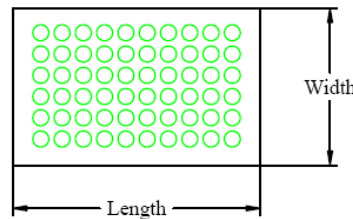
Width :



BUBBLE BAG

Length:

Width:

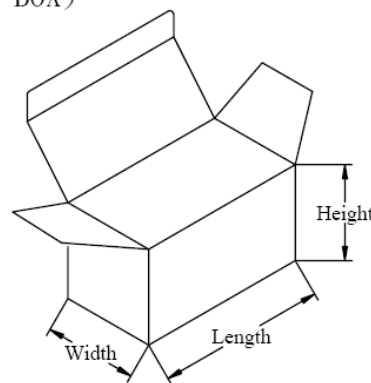


BOX(  Normal BOX  Corrugated BOX)

Length: 65

Width: 51

Height: 67



### NOTICE:

Its probably different from the white box of the sample and the figure dimension.  
The white box is used to pack during product.

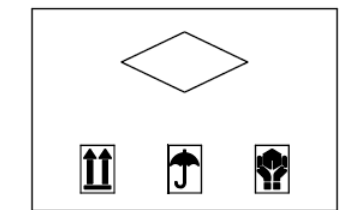
注意: 樣品使用的小白盒尺寸可能與此圖面尺寸不同, 此圖面尺寸是用于生產時的包裝.

MODEL NO. :	HK-U-050A120-CP	PAGE NO. :	9 OF 11
PART NO. :	HKSC-112124	ISSUED DATE:	2012.02.03
DESCRIPTION :	I.T.E. POWER SUPPLY	REV:	(A1)

## 19. PACKING

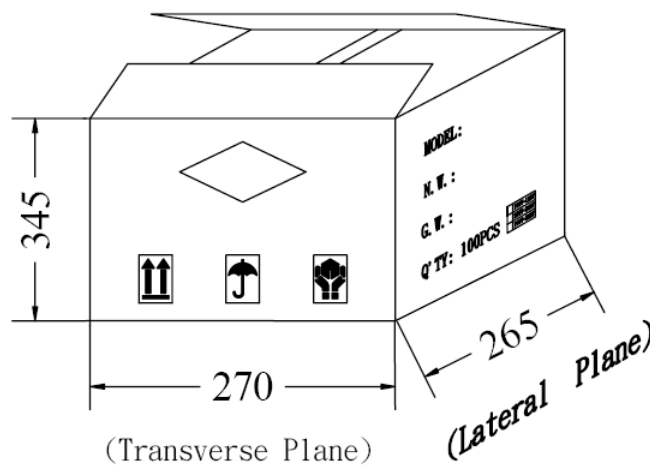
### 19.1 Carton

UNIT: mm



MODEL :  
N. W. :  
G. W. :  
Q' TY: 100PCS

	100V-120V
	200V-240V
	100V-240V

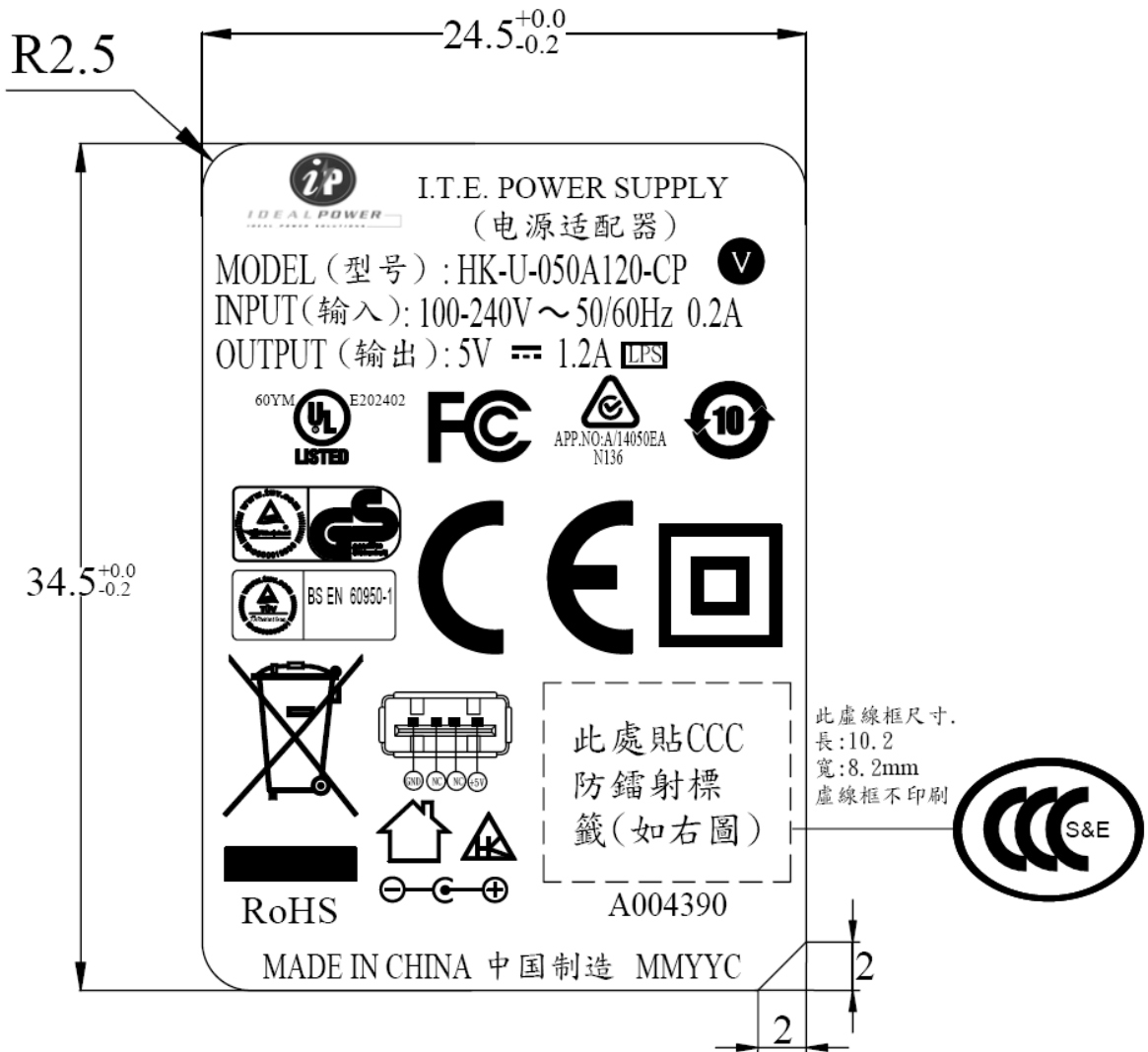


MODEL NO. :	HK-U-050A120-CP	PAGE NO. :	10 OF 11
PART NO. :	HKSC-112124	ISSUED DATE:	2012.02.03
DESCRIPTION :	I.T.E. POWER SUPPLY	REV:	(A1)

### 19. MARKING

200# CPC 霧面合成紙 NAME-PLATE:WHITE CHARACTERS BLACK BACKGROUND.

UNIT: mm MMYYC  
 month | year  
 made in China  
 by Hon-kwang



## **X-ON Electronics**

Largest Supplier of Electrical and Electronic Components

*Click to view similar products for [ideal manufacturer](#):*

Other Similar products are found below :

[30-696](#) [74-027](#) [45-292](#) [45-098](#) [L-5361](#) [45-093](#) [45-177](#) [45-1987-1](#) [41-990](#) [25HK-AY-090A266-DH](#) [15DYS6150-2400625P](#) [45-418](#) [30-503](#)  
[35-020](#) [35-060](#) [35-516](#) [45-1633-1](#) [45-170](#) [45-1773-1](#) [45-1774](#) [45-1939-1](#) [45-2133-1](#) [45-298](#) [45-372](#) [K-6336](#) [K-8906R](#) [L-4866](#) [L-5210](#) [L-](#)  
[5562](#) [L-9038](#) [LB-1091](#) [35-522](#) [61-775](#) [KB-0276R](#) [30-429](#) [30-587](#) [33-856](#) [45-672](#) [45-171](#) [45-144](#) [34-015](#) [33-864](#) [30-506](#) [25HK-AP-](#)  
[060A100-CP-3A](#) [15DYS624-240125W-K](#) [15DYS6150-4800312P](#) [33-704](#) [45-092](#) [45-121](#) [45-1513](#)