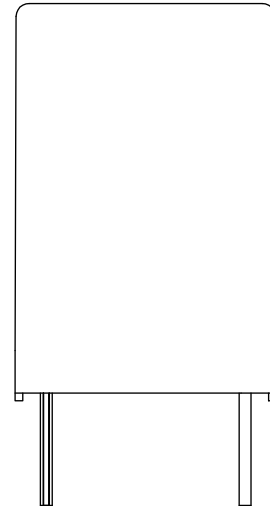
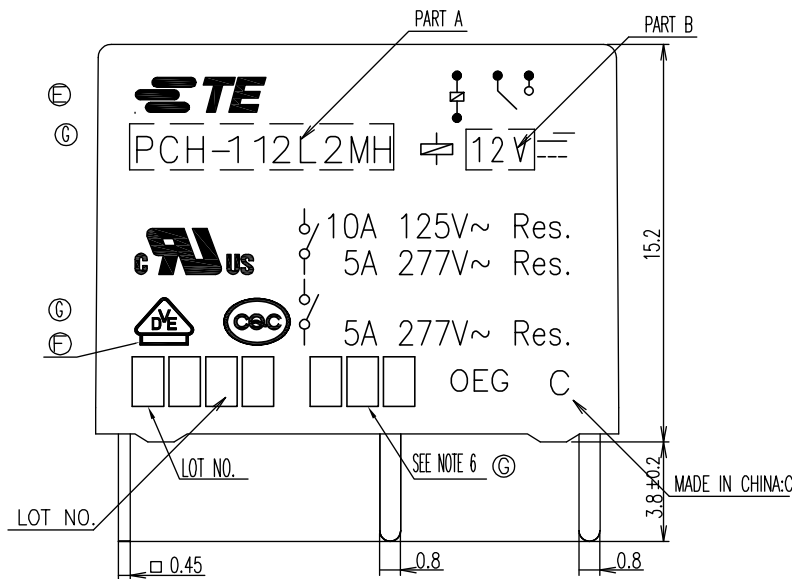
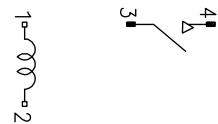


THIS DRAWING IS UNPUBLISHED. RELEASED FOR PUBLICATION
 © COPYRIGHT - By - TE CONNECTIVITY ALL RIGHTS RESERVED.

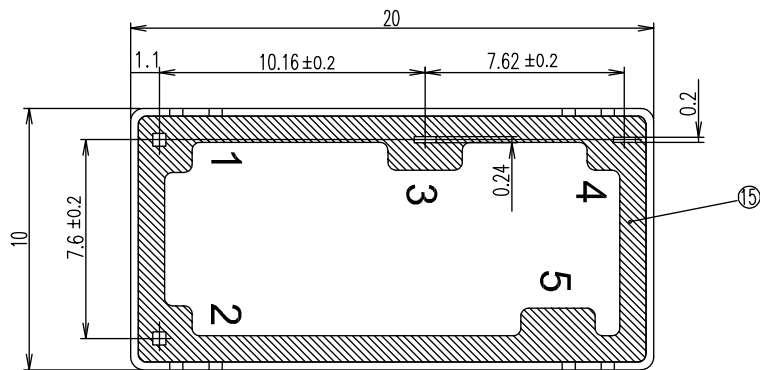
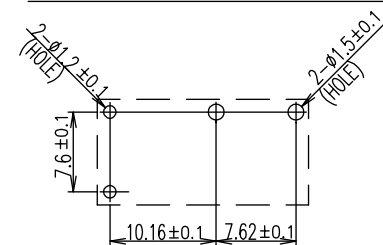
| LOC | | DIST | | REVISIONS | | | |
|-----|-----|-------------|---|-----------|------|------|--|
| P | LTR | DESCRIPTION | | DATE | DWN | APVD | |
| HB | - | G | CHANGE LOGO&ADD LINE IDENTIFICATION ECO-12-003498 &ADD CCC SYMBOL P-11-003756 | 02Nov2012 | YS.H | BH.Y | |



CONNECTION DIAGRAM (BOTTOM VIEW)



DRILLING DIAGRAM (BOTTOM VIEW)



| Diagram dimension | Tolerance |
|-------------------|-----------|
| 0.99mm max. | ±0.1mm |
| 1 - 2.99mm | ±0.2mm |
| 3mm min. | ±0.3mm |

| | | | | | | | | | | | | |
|---|--|--------------|------------------|---|---|-----------|------------|---------------|-------|--------|-----|---|
| THIS DRAWING IS A CONTROLLED DOCUMENT. | | DWN | H.SASAKI | | TE Connectivity PCH-D2M CUSTOMER DRAWING | | | | | | | |
| DIMENSIONS: mm | | CHK | N.FUNAYAMA | | | | | | | | | |
| TOLERANCES UNLESS OTHERWISE SPECIFIED: | | APVD | A.NAGAI | | | | | | | | | |
| 0 PLC ± - 1 PLC ± - 2 PLC ± - 3 PLC ± - 4 PLC ± - ANGLES ± - | | PRODUCT SPEC | SEE PRODUCT SPEC | | | | | | | | | |
| MATERIAL | | FINISH | APPLIC. SPEC | - | SIZE | CAGE CODE | DRAWING NO | RESTRICTED TO | | | | |
| - | | - | WEIGHT | - | A3 | 00779 | G= 1461351 | - | | | | |
| CUSTOMER DRAWING | | | | | | | SCALE | 5:1 | SHEET | 1 of 2 | REV | G |

THIS DRAWING IS UNPUBLISHED. RELEASED FOR PUBLICATION
 © COPYRIGHT - By - TE CONNECTIVITY ALL RIGHTS RESERVED.

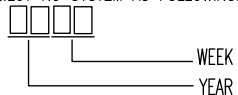
| LOC | DIST | REVISIONS | | | | | |
|-----|------|-----------|-----|-------------|------|-----|------|
| HB | - | P | LTR | DESCRIPTION | DATE | DWN | APVD |
| | | - | - | SEE SHEET 1 | - | - | - |

| | | | | | | |
|--------------|-------------|--------------|--------------|-------------|-------------|------|
| 107-79019 | 1461351-7 | PCH-148D2MH | 108-79657 | 48V | PCH-148D2MH | g |
| | 1461351-6 | PCH-124D2MH | 108-79656 | 24V | PCH-124D2MH | f |
| | 1461351-5 | PCH-112D2MH | 108-79655 | 12V | PCH-112D2MH | e |
| | 1461351-4 | PCH-109D2MH | 108-79654 | 9V | PCH-109D2MH | d |
| | 1461351-3 | PCH-106D2MH | 108-79653 | 6V | PCH-106D2MH | c |
| | 1461351-2 | PCH-105D2MH | 108-79652 | 5V | PCH-105D2MH | b |
| 1461351-1 | PCH-103D2MH | 108-79651 | 3V | PCH-103D2MH | a | |
| PACKAGE SPEC | TE PART NO | TE TYPE NAME | PRODUCT SPEC | PART B | PART A | TYPE |

RELAY TYPE

NOTES:

- 1.LAST SUFFIX NON : WASHABLE TYPE
- 2.LOT NO SYSTEM AS FOLLOWING:



- 3.TERMINAL DIMENSION IS BEFORE SOLDER DIP;
- 4.FOR THE TIN-PLATING OF THE PINS:
+0.1mm FOR WIDTH,THICKENSS AND DIAMETER.
+0.5mm FOR LENGTH.
- 5.MARKING FROM INK TO LASER.

6.ADD LOT NO. SYSTEM AS FOLLOWING;



- I, DIGITS FOR DAY OF THE WEEK
1...MONDAY IN THIS WEEK;
2...TUESDAY IN THIS WEEK;
.....
7...SUNDAY IN THIS WEEK
- II, DIGITS FOR SHIFT OF THE DAY
1...DAY SHIFT IN THIS DAY;
2...NIGHT SHIFT IN THIS DAY;
- III, ONE CHARACTER DISTINGUISH THE LINE IDENTITY, SUCH AS: A,B,....Z

| | | | | |
|------------------|------------|-------------|--------------------|------|
| | | UV RESIN | UV SEAL(VENT HOLE) | 16 |
| | | EPOXY RESIN | SEAL | 15 |
| CLASS E | | UEW | MAGNETIC WIRE | 14 |
| | SOLDER DIP | CP WIRE | COIL TERMINAL | 13 |
| | | Ag ALLOY | STATONARY CONTACT | 12 |
| | | Ag ALLOY | MOVABLE CONTACT | 11 |
| | | Cu ALLOY | HINGE SPRING | 10 |
| | SOLDER DIP | Cu ALLOY | NO TERMINAL | 9 |
| | SOLDER DIP | Cu ALLOY | MOVABLE SPRING | 8 |
| UL 94V-0 | | PA NYLON | CARD | 7 |
| UL 94V-0 | | PBT | CASE | 6 |
| UL 94HB | | PA NYLON | BOBBIN | 5 |
| UL 94V-0 | | PBT | BASE | 4 |
| | | Ni PLATED | STEEL CORE | 3 |
| | | CuNi PLATED | STEEL ARMATURE | 2 |
| | | CuNi PLATED | STEEL YOKE | 1 |
| INCOMBUSTIBILITY | TREATMENT | MATERIAL | DESCRIPTION | ITEM |

| | | | | |
|--|--|------------------|------------------|---|
| THIS DRAWING IS A CONTROLLED DOCUMENT. | | DWN | H.SASAKI | - |
| | | CHK | N.FUNAYAMA | - |
| DIMENSIONS: mm | | APVD | A.NAGAI | - |
| TOLERANCES UNLESS OTHERWISE SPECIFIED: | | PRODUCT SPEC | SEE PRODUCT SPEC | |
| 0 PLC ±- | | APPLICATION SPEC | - | |
| 1 PLC ±- | | WEIGHT | - | |
| 2 PLC ±- | | SIZE | A3 | |
| 3 PLC ±- | | CAGE CODE | 00779 | |
| 4 PLC ±- | | DRAWING NO | G= 1461351 | |
| ANGLES ±- | | RESTRICTED TO | - | |
| FINISH | | SCALE | 5:1 | |
| MATERIAL | | SHEET | 2 of 2 | |
| - | | REV | G | |



PCH-D2M CUSTOMER DRAWING

X-ON Electronics

Largest Supplier of Electrical and Electronic Components

Click to view similar products for [General Purpose Relays](#) category:

Click to view products by [TE Connectivity](#) manufacturer:

Other Similar products are found below :

[APF30318](#) [JVN1AF-4.5V-F](#) [PCN-105D3MHZ](#) [5JO-10000S-SIL](#) [5JO-1000CD-SIL](#) [5JO-400CD-SIL](#) [LY2S-AC220/240](#) [LYQ20DC12](#)
[6031007G](#) [6131406HQ](#) [6-1393099-3](#) [6-1393099-8](#) [6-1393122-4](#) [6-1393123-2](#) [6-1393767-1](#) [6-1393843-7](#) [6-1415012-1](#) [6-1419102-2](#) [6-1423698-4](#) [6-1608051-6](#) [6-1608067-0](#) [6-1616170-6](#) [6-1616248-2](#) [6-1616282-3](#) [6-1616348-2](#) [6-1616350-1](#) [6-1616350-8](#) [6-1616358-7](#) [6-1616359-9](#) [6-1616360-9](#) [6-1616931-6](#) [6-1617039-1](#) [6-1617052-1](#) [6-1617090-2](#) [6-1617090-5](#) [6-1617347-5](#) [6-1617353-3](#) [6-1617801-8](#) [6-1617802-2](#) [6-1618107-9](#) [6-1618248-4](#) [M83536/1-027M](#) [CX-4014](#) [MAHC-5494](#) [MAVCD-5419-6](#) [703XCX-120A](#) [7-1393100-5](#) [7-1393111-7](#)
[7-1393144-5](#) [7-1393767-8](#)