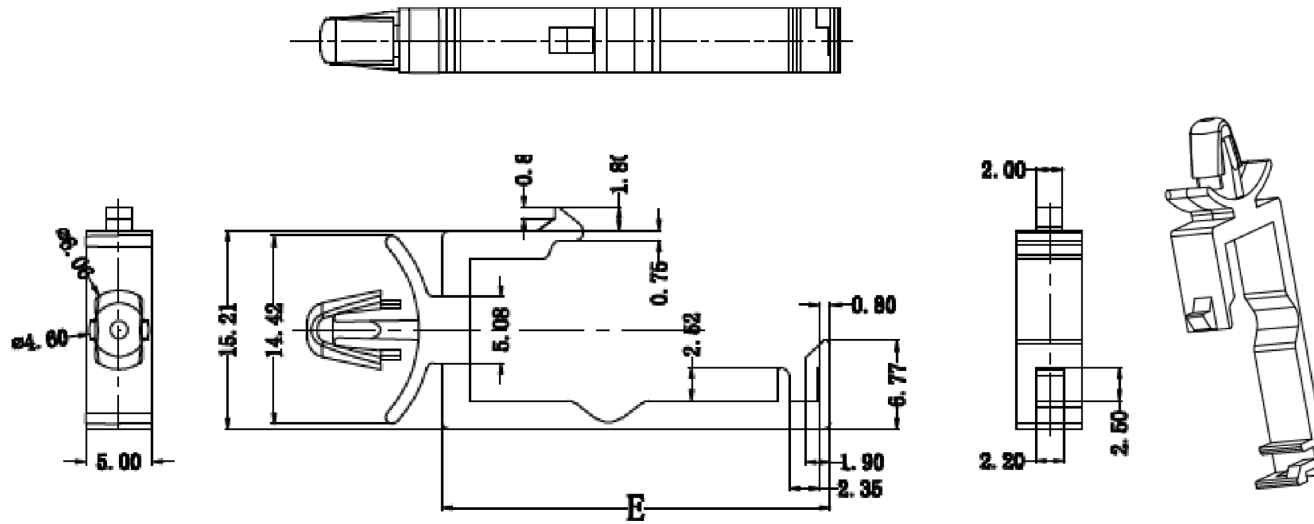
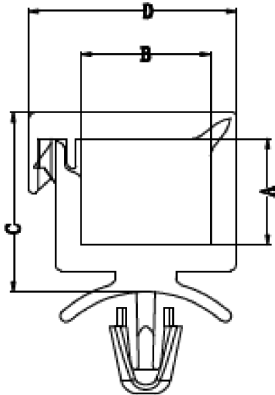


ECN #	REV	DESCRIPTION	DRAWN	DATE	CHECKD	DATE	APPRVD	DATE
-	1.0	RELEASED	AB	17/03/15	ER	17/03/15	ER	17/03/15

**RoHS
Compliant**


Specifications:

Material	: PA66
Colour	: Natural
Hole	: $\varnothing 4.75 \pm 0.08\text{mm}$
Panel Thickness	: 1.57mm


Part Number Table

Description	Hole Dia.	"A"	"B"	"C"	"D"	"E"	Part Number
Saddle, Wire, Lock, 8.8mm x 10.7mm, PK50	4.8mm	8.8mm	10.7mm	14.6mm	16.8mm	14.3mm	DTRWSLT-01-2-01
Saddle, Wire, Lock, 4.8mm x 10.7mm, PK50	4.8mm	4.8mm	10.7mm	10.6mm	16.8mm	14.3mm	DTRWSLT-01A-01
Saddle, Wire, Lock, 3.4mm x 13.5mm, PK50	4.8mm	3.4mm	13.5mm	9.4mm	19.6mm	14.3mm	DTRWSLT-02-1-01
Saddle, Wire, Lock, 10mm x 16.3mm, PK50	4.8mm	10mm	16.3mm	15.8mm	22.4mm	14.3mm	DTRWSLT-02A-01
Saddle, Wire, Lock, 14.1mm x 16.3mm, PK50	4.8mm	14.1mm	16.3mm	19.6mm	22.4mm	14.3mm	DTRWSLT-03-2-01
Saddle, Wire, Lock, 21.7mm x 18mm, PK50	4.8mm	21.7mm	18mm	27.3mm	24.1mm	14.3mm	DTRWSLT-03-3-01
Saddle, Wire, Lock, 3.4mm x 13.5mm, PK50	3.5mm	3.4mm	13.5mm	8.9mm	19.6mm	9.5mm	DTRWSLT-3.5-2-1-01

Dimensions : Millimetres

www.element14.com
www.farnell.com
www.newark.com
www.cpc.co.uk
www.mcmelectronics.com

Important Notice : This data sheet and its contents (the "Information") belong to the members of the Premier Farnell group of companies (the "Group") or are licensed to it. No licence is granted for the use of it other than for information purposes in connection with the products to which it relates. No licence of any intellectual property rights is granted. The Information is subject to change without notice and replaces all data sheets previously supplied. The Information supplied is believed to be accurate but the Group assumes no responsibility for its accuracy or completeness, any error in or omission from it or for any use made of it. Users of this data sheet should check for themselves the Information and the suitability of the products for their purpose and not make any assumptions based on information included or omitted. Liability for loss or damage resulting from any reliance on the Information or use of it (including liability resulting from negligence or where the Group was aware of the possibility of such loss or damage arising) is excluded. This will not operate to limit or restrict the Group's liability for death or personal injury resulting from its negligence. DURATOOL is the registered trademark of the Group. © Premier Farnell plc 2012.

TOLERANCES:

UNLESS OTHERWISE SPECIFIED, DIMENSIONS ARE FOR REFERENCE PURPOSES ONLY.

DRAWN BY:	DATE:
AB	17/03/15
CHECKED BY:	DATE:
ER	17/03/15
APPROVED BY:	DATE:
ER	17/03/15

DRAWING TITLE:

Wire Saddle Locking Top

SIZE	DWG NO.	ELECTRONIC FILE	REV
A4	DTRWSLT-01-2-01	DTRWSLT	1.0
SCALE: NTS		U.O.M.: mm	SHEET: 1 of 1

X-ON Electronics

Authorized Distributor

Click to view similar products for [Wire Identification](#) category.

Click to view products by [Duratool](#) manufacturer.

Other Similar products are found below :

[M200X042FPT](#) [M200X042UPT](#) [M200X050ACT](#) [M200X050AGT](#) [M200X080FQT](#) [M200X080UPT](#) [M200X100ACT](#)
[M200X100AFT](#) [M200X100AIT](#) [M300X050ACT](#) [M300X050AET](#) [M300X050AFT](#) [M300X100ACT](#) [M300X100AET](#)
[H075X044H3T](#) [SWB04](#) [06161920](#) [DTRPGSB1519A](#) [PCMB3](#) [S100X150VIC](#) [H2L212N2](#) [H200X122H1T2](#) [H200X034H1T](#)
[H100X084H2T](#) [H100X025H1TB](#)