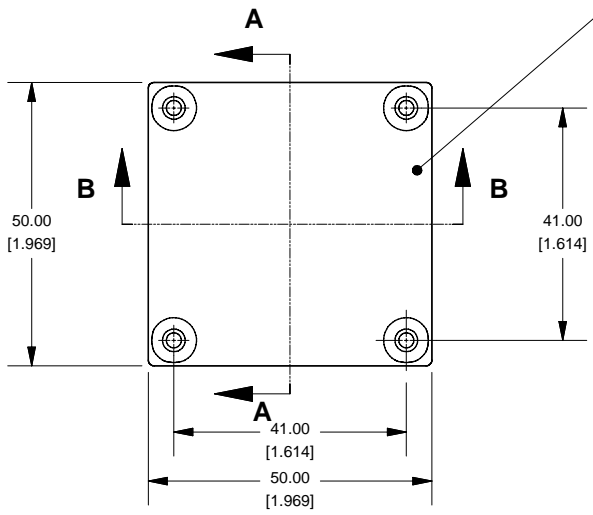
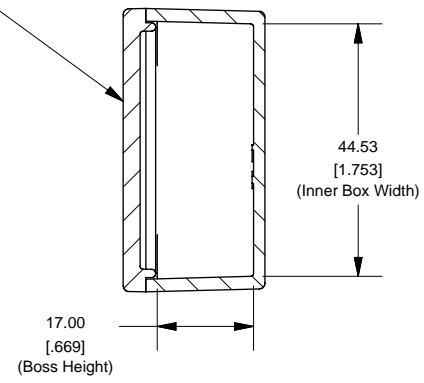


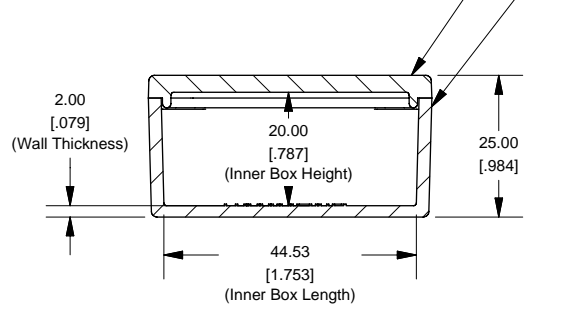
Top View of Assembly



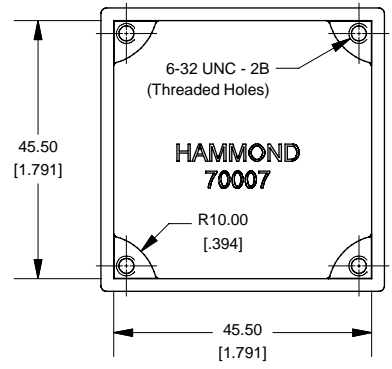
SECTION A-A End View of Assembly



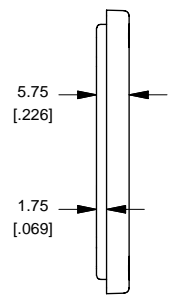
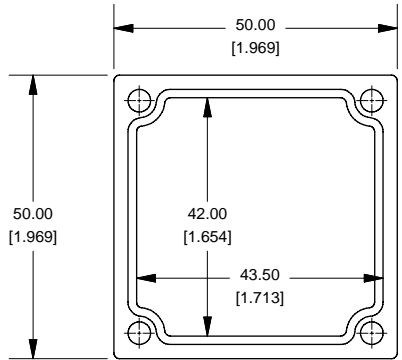
SECTION B-B Side View of Assembly



Top View Looking Inside Box



Lid



Enclosures can be Factory Modified (Milling, Drilling, Printing etc.)
 Solid models of this enclosure available in STEP or IGES.
 Contact Factory jelkins@hammond-electronics.co.uk

NOTE	
Purchased assembly includes Deep Lid, Base Plate and 4 cover screws.	
Eddystone 70007	
PART INFORMATION	
Part Number:	70007
Material:	Diecast Aluminum Alloy (Type LM24)
Cover Screw Type:	M3.5 x 12 taptite screws (Screws accept POZDRIV No. 2 screwdriver)

**HAMMOND
MANUFACTURING™**
70007
www.hammondmfg.com

X-ON Electronics

Largest Supplier of Electrical and Electronic Components

Click to view similar products for [eddystone](#) manufacturer:

Other Similar products are found below :

[70011](#) [11130PSLA](#) [26357PSLA](#) [10758PSLA](#) [26908PSLA](#) [29830PSLA](#) [27134PSLA](#)