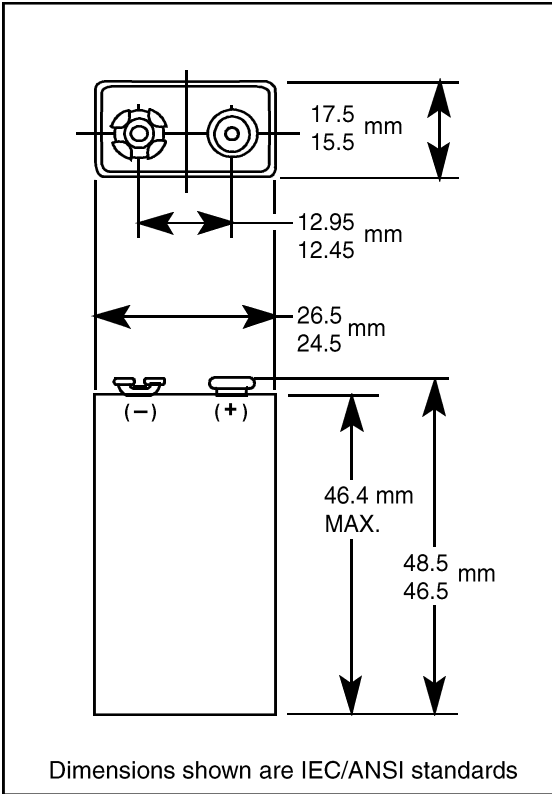




# Size: 9V (6LR61) Alkaline-Manganese Dioxide Battery

Zn/MnO<sub>2</sub>



Nominal Voltage:	9 V
Nominal Internal Impedance:	1,850 m-ohm @ 1kHz
Average Weight:	46.5 gm (1.64 oz.)
Volume:	22.8 cm <sup>3</sup> (1.39 in. <sup>3</sup> )
Terminals:	Miniature Snap
Operating Temperature Range:	-20°C to 54°C (-4°F to 130°F)
ANSI:	1604A
IEC:	6LR61

Discharge Characteristics at 20°C (70°F)



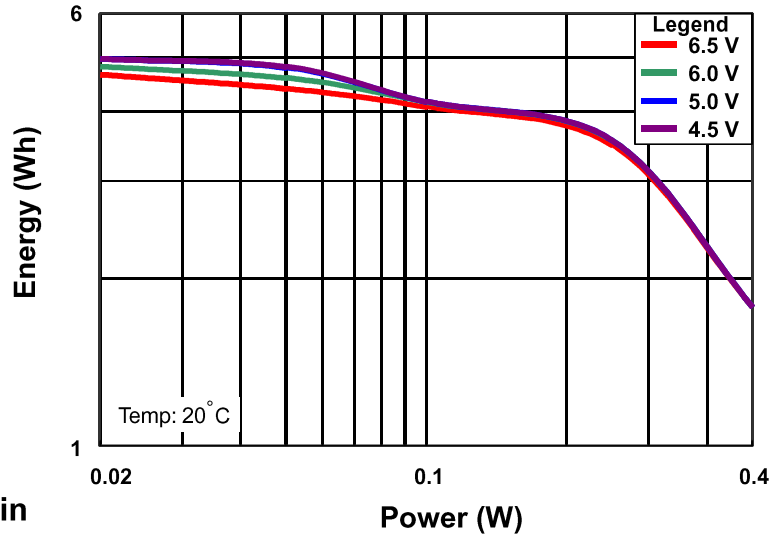
\* Delivered capacity is dependent on the applied load, operating temperature and cut-off voltage. Please refer to the charts and discharge data shown for examples of the energy / service life that the battery will provide for various load conditions.



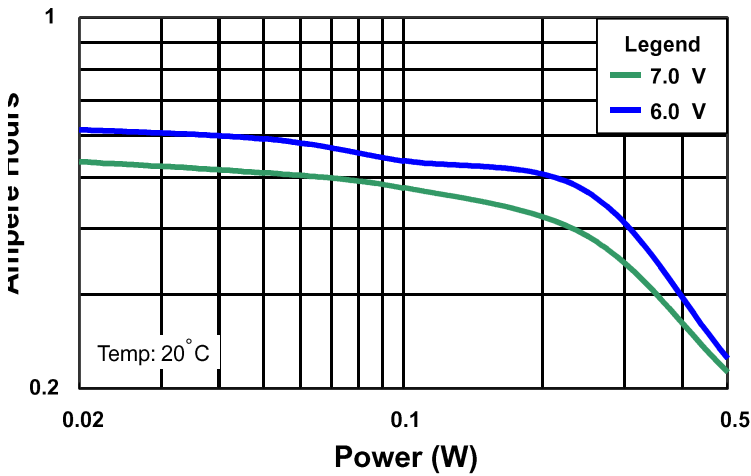
# Size: 9V (6LR61) Alkaline-Manganese Dioxide Battery

Zn/MnO<sub>2</sub>

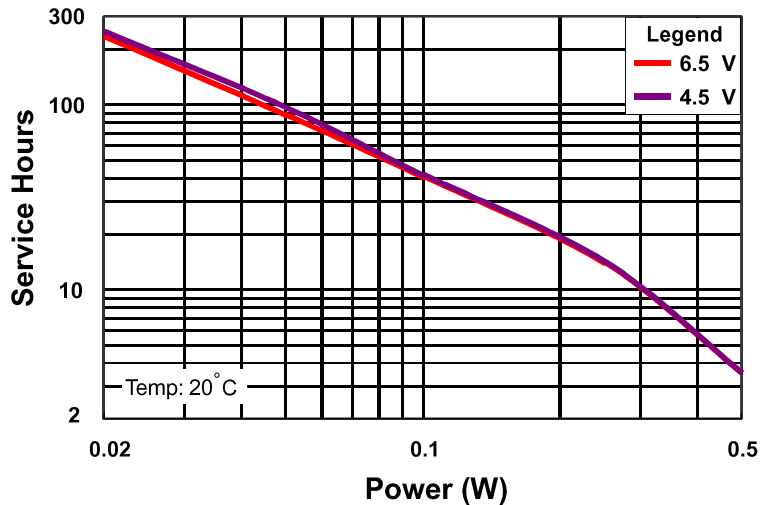
### Delivered Energy vs Power Drain



### Delivered Capacity vs Power Drain



### Service Hours vs Power Drain



## DURACELL® BATTERIES

Berkshire Corporate Park  
Bethel, CT 06801 U.S.A.  
Telephone: Toll-free 1-800-834-2656  
Internet: www.duracell.com

\* Delivered capacity is dependent on the applied load, operating temperature and cut-off voltage. Please refer to the charts and discharge data shown for examples of the energy / service life that the battery will provide for various load conditions.

## X-ON Electronics

Largest Supplier of Electrical and Electronic Components

*Click to view similar products for [duracell](#) manufacturer:*

Other Similar products are found below :

[DL1620B](#) [MS76B](#) [LR20/D/MN1300\(K2\)](#) [MN2400 TURBO](#) [DA146](#) [LR03/AAA/MN2400\(K4\)](#) [MN2400B4](#) [15035031 M3 C 2PK](#) [10 ET](#) [13 ET](#) [LR20/D \(K2\) PLUS POWER](#) [LR3/AAA/MN2400\(K8\) ECONOMY PACK](#) [LR6/AA/MN1500\(K2\) ECONOMY PACK](#) [LR6/AA/MN1500\(K8\) ECONOMY PACK](#) [MN11 E11A](#) [CEF27 2XAA 2XAAA](#) [MN1500 ULTRA POWER](#) [DL223AB](#) [75044300](#) [PC1400](#) [MN2400](#) [LR43](#) [PC134A](#) [CEF14 2XAA 2XAAA](#) [ACCU 9V1](#) [5000394002883](#) [MN1604](#) [DRC5906](#) [DRC5902](#) [15035025 M3 PP3](#) [PC1604](#) [DRS5964](#) [DRO5941](#) [DRC5908](#) [DRN5924](#) [5000394019126](#) [DRP6116](#) [5000394105522](#) [DRG5945](#) [ACCU D2](#) [5000394082991](#) [DRP5953](#) [5000394020092](#) [DRO5940](#) [DRC5904](#) [DRC5907](#) [DRC5905](#) [DR5030A](#) [DRG5944](#) [DRP5954](#)