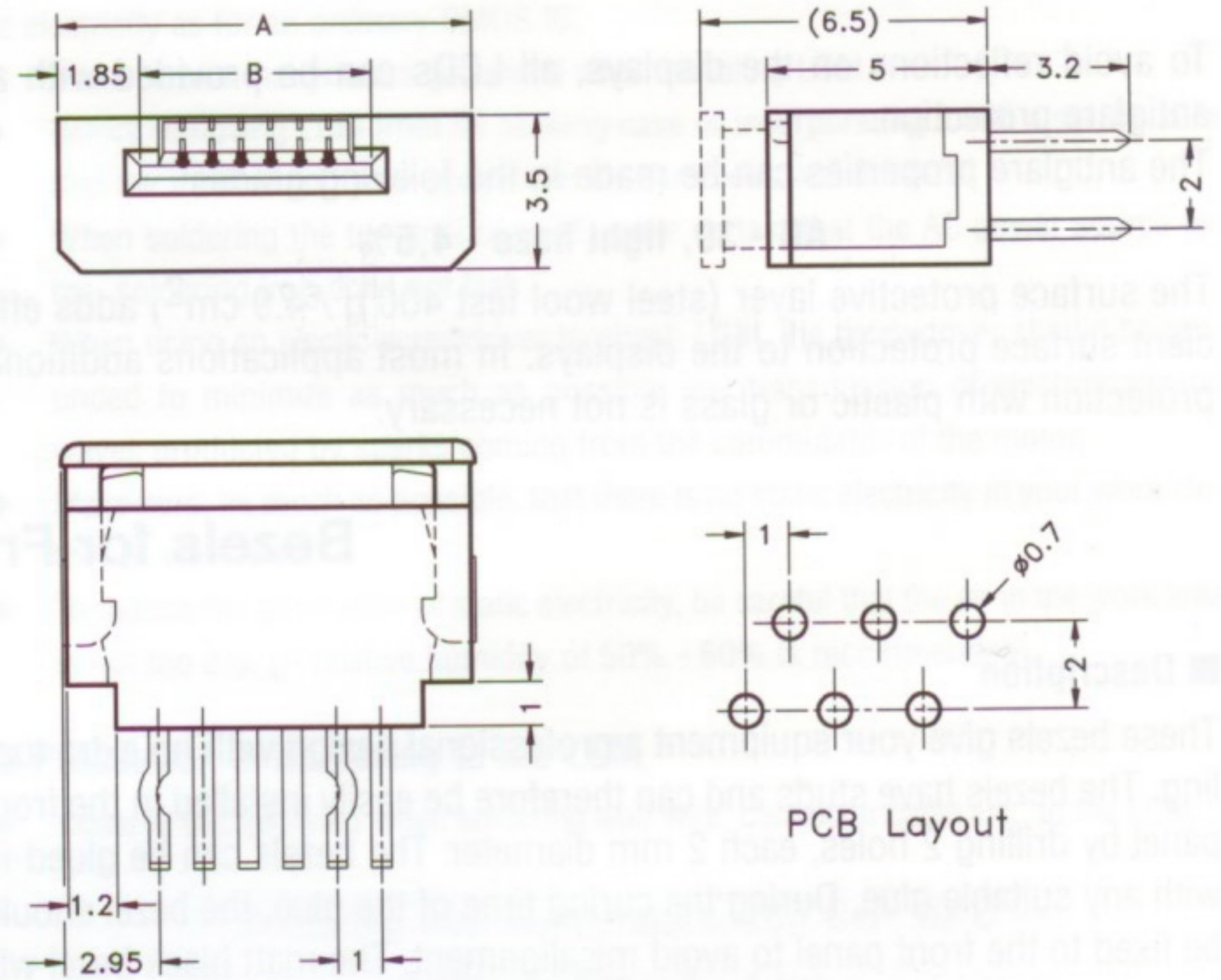


Liquid Crystal Display - Connectors and Cables for the "Micro-Line"

■ FPC-Connector in DIL-Version - Pitch 1 mm

Order Number	Pin Number	Dimension A	Dimension B
BT 21201	16	21,3 mm	17,2 mm
BT 21200	18	23,3 mm	19,2 mm

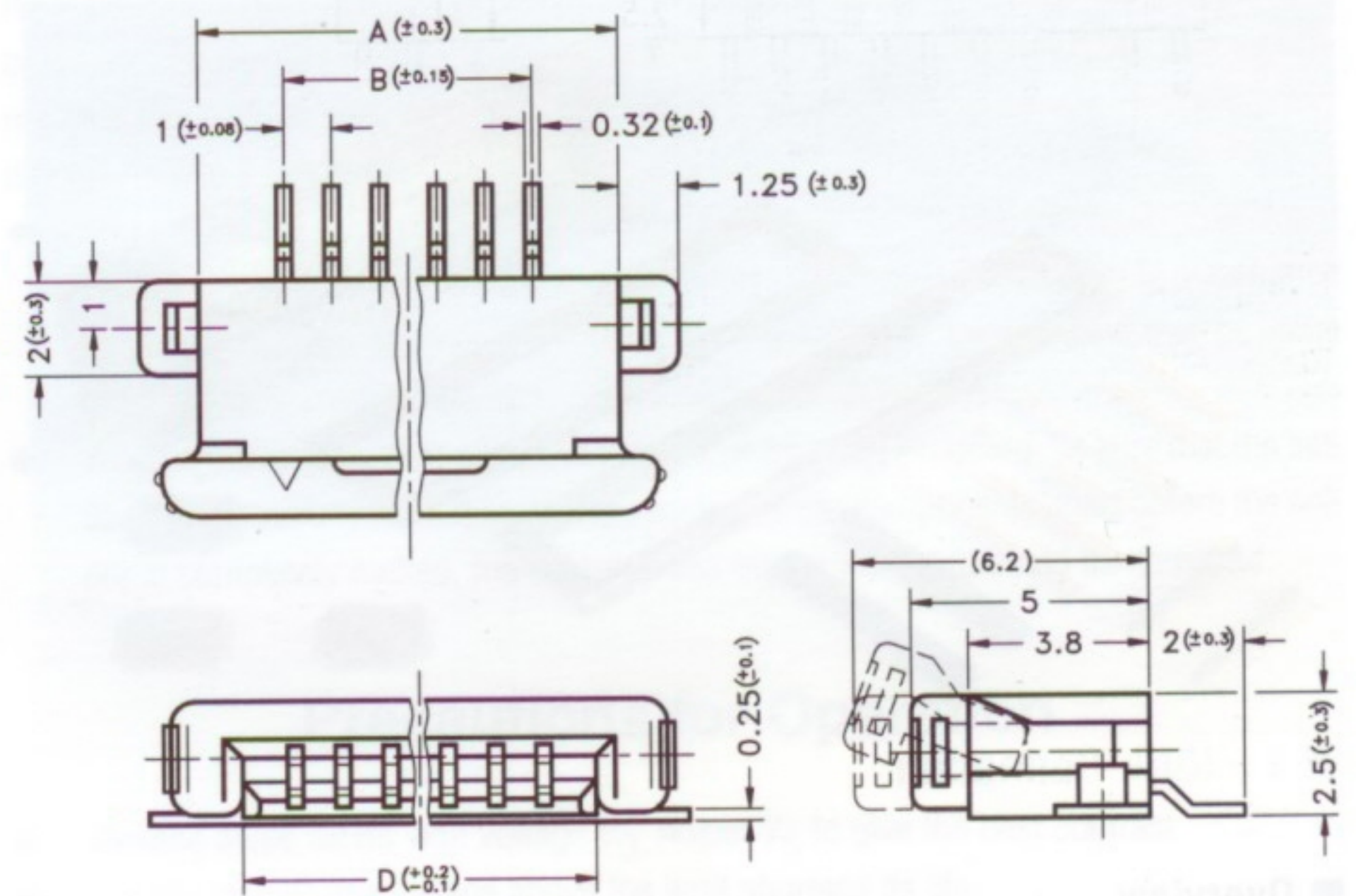
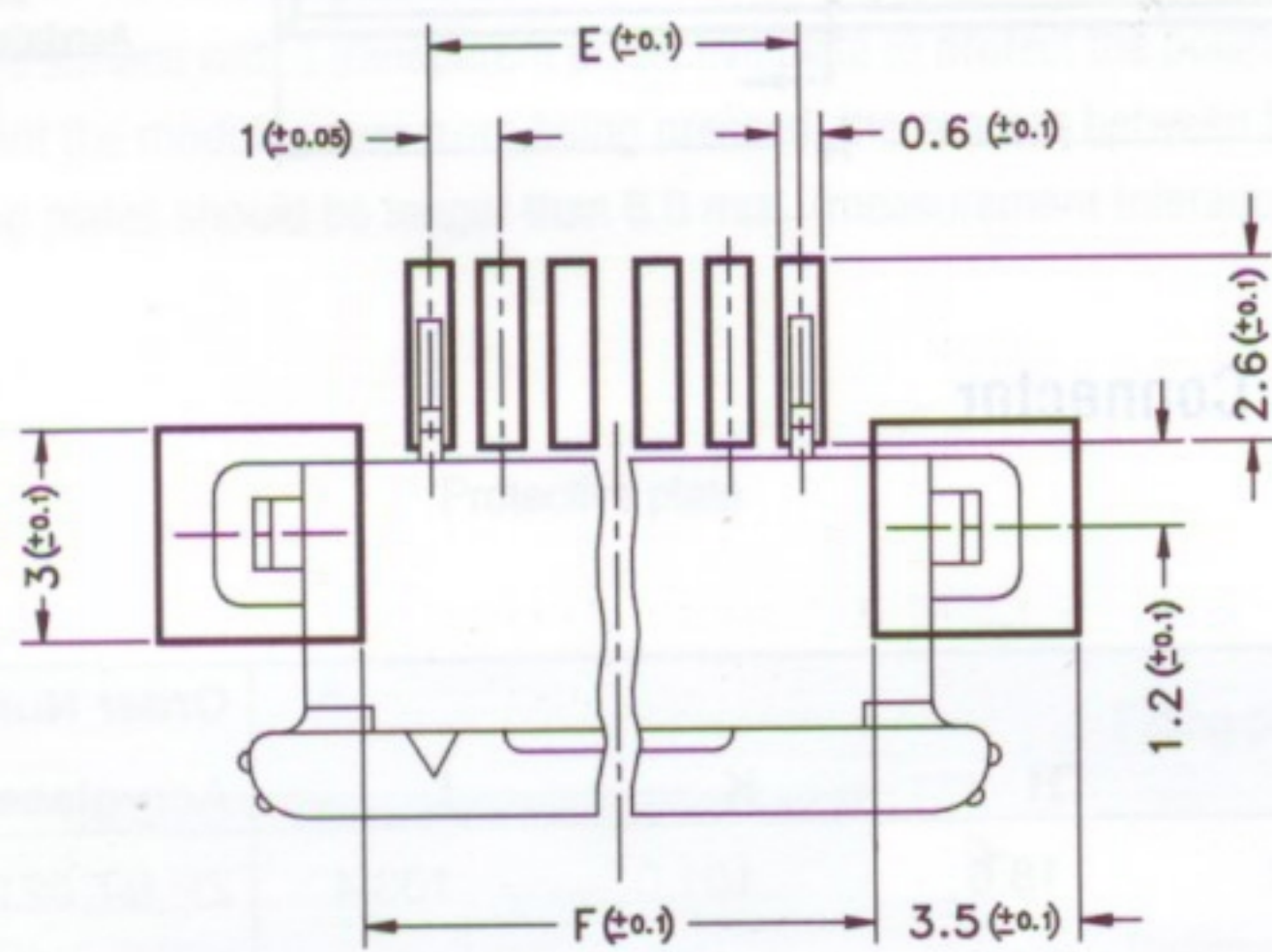
16-pin for Modules BT 21603 / 22003 / 24003 / 42003
 18-pin for Modules BT 10032



■ FPC-Connector in SMD-Version - Pitch 1 mm

Order Number	Pin	Dimensions [mm]					
		A	B	C	D	E	F
BT 21000	16	21	15	22.6	17.2	15	18.1
BT 21001	18	23	17	24.6	19.2	17	20.1

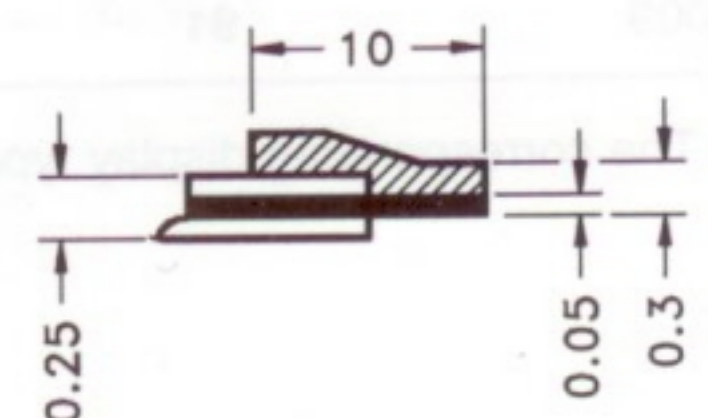
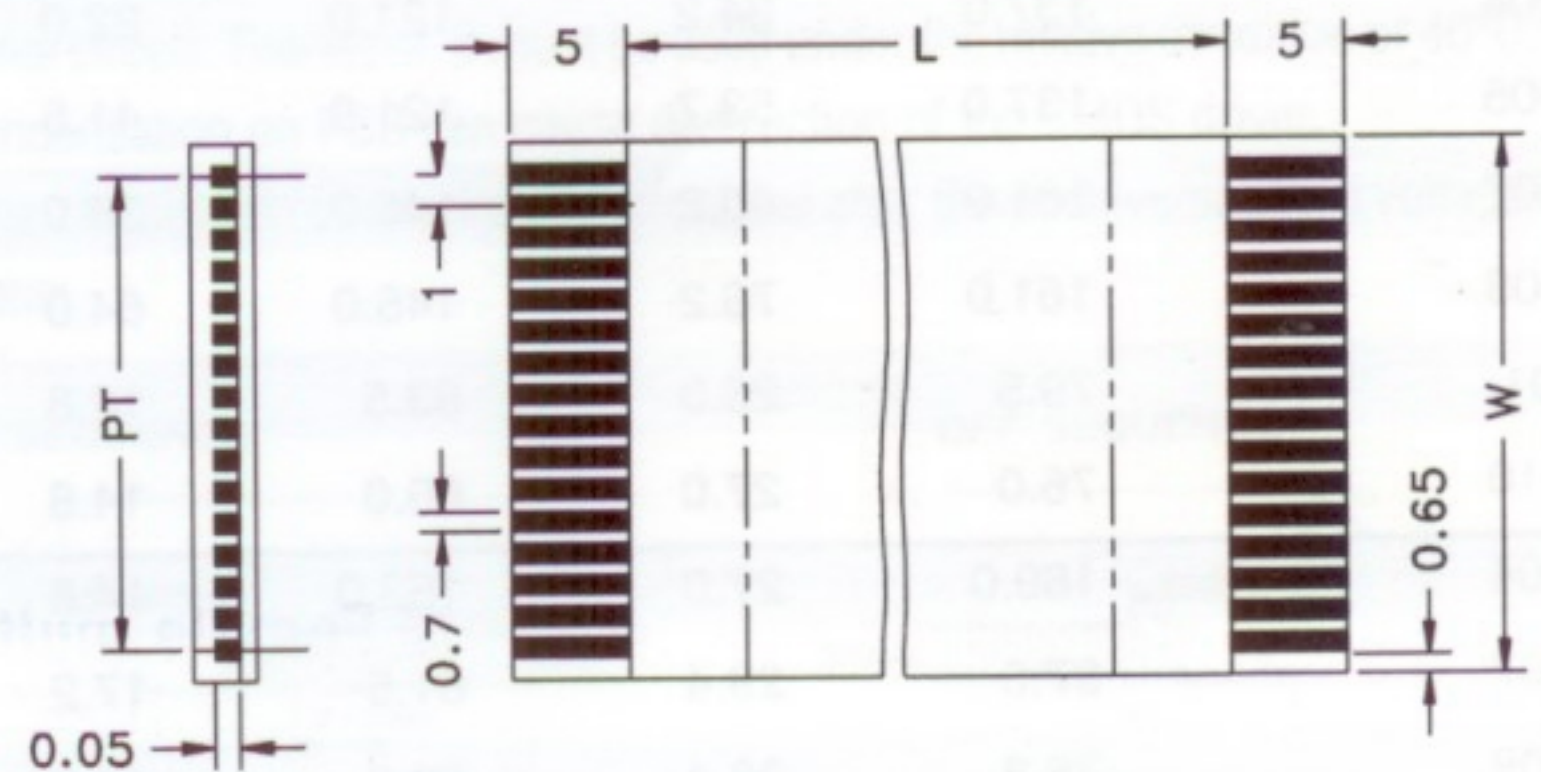
16-pin for Modules BT 21603 / 22003 / 24003 / 42003
 18-pin for Modules BT 10032



■ Film Cable - Pitch 1 mm

Order Number	Pin	Dimensions [mm]		
		L	W	PT
BT 21300	16	70	17	15
BT 21301	18	70	19	17

Film cable with different length, requires a min. order of 1000 pieces
 16-pin for Modules BT 21603 / 22003 / 24003 / 42003
 18-pin for Modules BT 10032



Accessories for LCD Modules

X-ON Electronics

Largest Supplier of Electrical and Electronic Components

Click to view similar products for [batron](#) manufacturer:

Other Similar products are found below :

[BTHQ42005VSS-FSTF-LED WHITE](#) [BT22008VSMNLEDRED](#) [BT96040AV2-COG-FSTF-12-I2C](#) [BTHQ21605V-COG-FSRE-I2C](#)