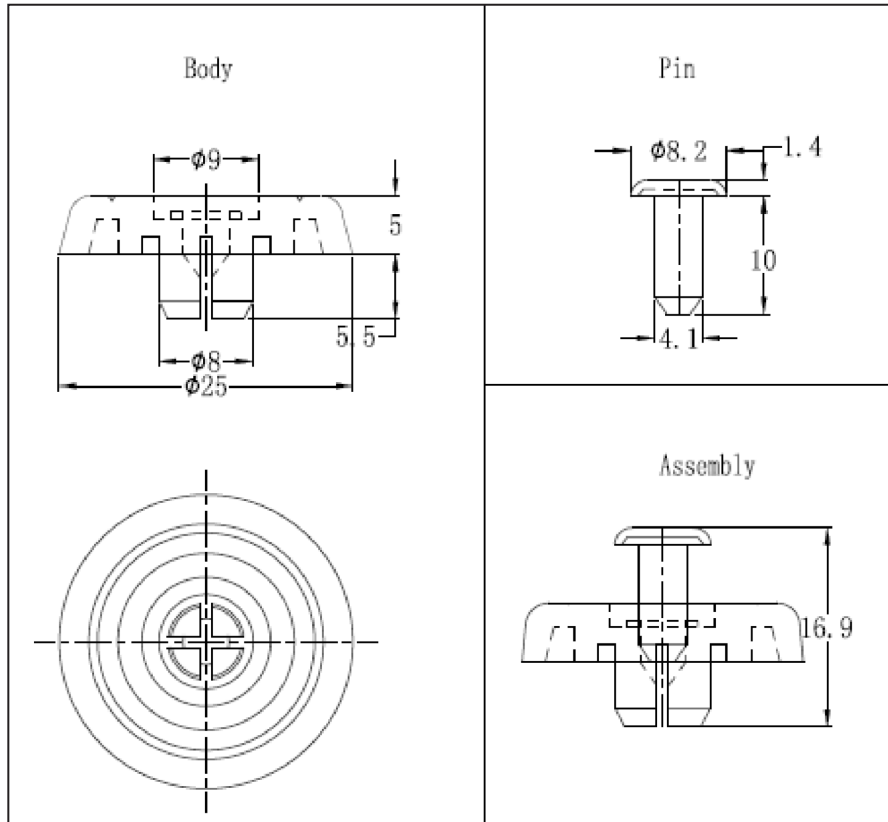


## REVISIONS

ECN #	REV	DESCRIPTION	DRAWN	DATE	CHECKD	DATE	APPRVD	DATE
-	1.0	RELEASED	SN	17/03/15	ER	17/03/15	ER	17/03/15

**RoHS  
Compliant**


**Specifications:**

Material : TPR (Body)  
 Material : PP (Pin)  
 Colour : Black  
 Hole Dia :  $\phi 7.75\text{mm}$   
 Panel Thickness : 0.8mm to 1.5mm

**Part Number Table**

Description	Part Number
Feet, Fast Fit, 25mm, PK50	DTRSFF-023

Dimensions : Millimetres

[www.element14.com](http://www.element14.com)  
[www.farnell.com](http://www.farnell.com)  
[www.newark.com](http://www.newark.com)  
[www.cpc.co.uk](http://www.cpc.co.uk)  
[www.mcmelectronics.com](http://www.mcmelectronics.com)

**Important Notice** : This data sheet and its contents (the "Information") belong to the members of the Premier Farnell group of companies (the "Group") or are licensed to it. No licence is granted for the use of it other than for information purposes in connection with the products to which it relates. No licence of any intellectual property rights is granted. The Information is subject to change without notice and replaces all data sheets previously supplied. The Information supplied is believed to be accurate but the Group assumes no responsibility for its accuracy or completeness, any error in or omission from it or for any use made of it. Users of this data sheet should check for themselves the Information and the suitability of the products for their purpose and not make any assumptions based on information included or omitted. Liability for loss or damage resulting from any reliance on the Information or use of it (including liability resulting from negligence or where the Group was aware of the possibility of such loss or damage arising) is excluded. This will not operate to limit or restrict the Group's liability for death or personal injury resulting from its negligence. DURATOOL is the registered trademark of the Group. © Premier Farnell plc 2012.

**TOLERANCES:**

UNLESS OTHERWISE  
 SPECIFIED,  
 DIMENSIONS ARE  
 FOR REFERENCE  
 PURPOSES ONLY.

DRAWN BY:	DATE:
SN	17/03/15
CHECKED BY:	DATE:
ER	17/03/15
APPROVED BY:	DATE:
ER	17/03/15

**DRAWING TITLE:**

Soft Fast Foot

SIZE	DWG NO.	ELECTRONIC FILE	REV
A4	DTRSFF-023-04	DTRSFF	1.0
SCALE: NTS		U.O.M.: mm	SHEET: 1 of 1

## X-ON Electronics

Authorized Distributor

*Click to view similar products for [Duratool](#) manufacturer.*

Other Similar products are found below :

[0110763](#) [0110764](#) [0110765](#) [0110767](#) [0110768](#) [0110769](#) [0110770](#) [0110771](#) [0210006](#) [0210009](#) [0290901](#) [08BL0BK3AS3K](#)  
[08BS0BK3AS3K](#) [08BSOHK3AS3K](#) [08KMFTO3AS1E](#) [08OMFHK3AS1E](#) [101ATN](#) [101BTN](#) [101CTN](#) [101FTN](#) [101VTN](#)  
[1024N](#) [1026N](#) [102VN](#) [10AW06](#)