

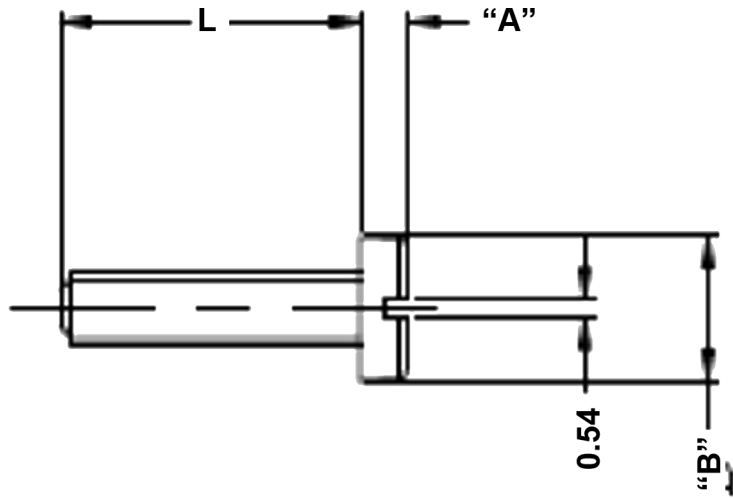


PART NO.  
DTRNSE 1207 M2 10

REVISIONS

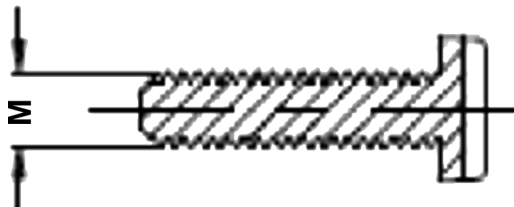
ECN #	REV	DESCRIPTION	DRAWN	DATE	CHECKD	DATE	APPRVD	DATE
-	1.0	RELEASED	SAN	17/03/15	ER	17/03/15	ER	17/03/15

**RoHS  
Compliant**



**Specifications:**

Material : Nylon 66  
Colour : Natural



Dimensions : Millimetres

**Part Number Table**

Description	"A"	"B"	Part Number
Set Screw, Slotted, CSK, M2 × 10, PK100	1.3mm	3.8mm	DTRNSE 1207 M2 10
Set Screw, Slotted, CSK, M2 × 12, PK100			DTRNSE 1207 M2 12
Set Screw, Slotted, CSK, M2 × 16, PK100			DTRNSE 1207 M2 16
Set Screw, Slotted, CSK, M2 × 20, PK100			DTRNSE 1207 M2 20
Set Screw, Slotted, CSK, M2 × 25, PK100			DTRNSE 1207 M2 25
Set Screw, Slotted, CSK, M2 × 4, PK100			DTRNSE 1207 M2 4
Set Screw, Slotted, CSK, M2 × 5, PK100			DTRNSE 1207 M2 5
Set Screw, Slotted, CSK, M2 × 6, PK100			DTRNSE 1207 M2 6
Set Screw, Slotted, CSK, M2 × 8, PK100			DTRNSE 1207 M2 8

www.element14.com  
www.farnell.com  
www.newark.com  
www.cpc.co.uk  
www.mcmelectronics.com

**Important Notice :** This data sheet and its contents (the "Information") belong to the members of the Premier Farnell group of companies (the "Group") or are licensed to it. No licence is granted for the use of it other than for information purposes in connection with the products to which it relates. No licence of any intellectual property rights is granted. The Information is subject to change without notice and replaces all data sheets previously supplied. The Information supplied is believed to be accurate but the Group assumes no responsibility for its accuracy or completeness, any error in or omission from it or for any use made of it. Users of this data sheet should check for themselves the Information and the suitability of the products for their purpose and not make any assumptions based on information included or omitted. Liability for loss or damage resulting from any reliance on the Information or use of it (including liability resulting from negligence or where the Group was aware of the possibility of such loss or damage arising) is excluded. This will not operate to limit or restrict the Group's liability for death or personal injury resulting from its negligence. DURATOOL is the registered trademark of the Group. © Premier Farnell plc 2012.

**TOLERANCES:**  
UNLESS OTHERWISE SPECIFIED, DIMENSIONS ARE FOR REFERENCE PURPOSES ONLY.

DRAWN BY:	DATE:
SAN	17/03/15
CHECKED BY:	DATE:
ER	17/03/15
APPROVED BY:	DATE:
ER	17/03/15

DRAWING TITLE:			
<b>Set Screw Slot</b>			
SIZE	DWG NO.	ELECTRONIC FILE	REV
A4	DTRNSE 1207 M2 10-02	DTRNSE	1.0
SCALE: NTS		U.O.M.: mm	SHEET: 1 of 2



PART NO.

DTRNSE 1207 M2 10

REVISIONS

ECN #	REV	DESCRIPTION	DRAWN	DATE	CHECKD	DATE	APPRVD	DATE
-	1.0	RELEASED	SAN	17/03/15	ER	17/03/15	ER	17/03/15

Part Number Table

Description	"A"	"B"	Part Number
Set Screw, Slotted, CSK, M2.5 × 10, PK100	1.8mm	4.5mm	DTRNSE 1207 M2.5 10
Set Screw, Slotted, CSK, M2.5 × 12, PK100			DTRNSE 1207 M2.5 12
Set Screw, Slot., Cheese, M2.5 × 16, PK100			DTRNSE 1207 M2.5 16
Set Screw, Slot, Cheese, M2.5 × 20, PK100			DTRNSE 1207 M2.5 20
Set Screw, Slotted, CSK, M2.5 × 25, PK100			DTRNSE 1207 M2.5 25
Set Screw, Slot., Cheese, M2.5 × 6, PK100			DTRNSE 1207 M2.5 6
Set Screw, Slotted, CSK, M2.5 × 8, PK100			DTRNSE 1207 M2.5 8
Set Screw, Slotted, CSK, M3 × 10, PK100			2mm
Set Screw, Slotted, CSK, M3 × 12, PK100	DTRNSE 1207 M3 12		
Set Screw, Slot., Cheese, M3 X 16, PK100	DTRNSE 1207 M3 16		
Set Screw, Slotted, CSK, M3 × 20, PK100	DTRNSE 1207 M3 20		
Set Screw, Slotted, CSK, M3 × 25, PK100	DTRNSE 1207 M3 25		
Set Screw, Slotted, CSK, M3 × 30, PK100	DTRNSE 1207 M3 30		
Set Screw, Slotted, CSK, M3 × 35, PK100	DTRNSE 1207 M3 35		
Set Screw, Slotted, Cheese, M3 × 4, PK100	DTRNSE 1207 M3 4		
Set Screw, Slotted, CSK, M3 × 40, PK100	DTRNSE 1207 M3 40		
Set Screw, Slotted, CSK, M3 × 5, PK100	DTRNSE 1207 M3 5		
Set Screw, Slotted, Cheese, M3 × 6, PK100	DTRNSE 1207 M3 6		
Set Screw, Slotted, M3 × 8, PK100	DTRNSE 1207 M3 8		

Description	"A"	"B"	Part Number
Set Screw, Slotted, CSK, M4 × 10, PK100	2.6mm	7mm	DTRNSE 1207 M4 10
Set Screw, Slotted, CSK, M4 × 12, PK100			DTRNSE 1207 M4 12
Set Screw, Slotted, CSK, M4 × 16, PK100			DTRNSE 1207 M4 16
Set Screw, Slotted, CSK, M4 × 20, PK100			DTRNSE 1207 M4 20
Set Screw, Slotted, CSK, M4 × 25, PK100			DTRNSE 1207 M4 25
Set Screw, Slotted, CSK, M4 × 30, PK100			DTRNSE 1207 M4 30
Set Screw, Slotted, CSK, M4 × 40, PK100			DTRNSE 1207 M4 40
Set Screw, Slotted, CSK, M4 × 6, PK100			DTRNSE 1207 M4 6
Set Screw, Slotted, Cheese, M4 × 8, PK100			DTRNSE 1207 M4 8
Set Screw, Slotted, CSK, M5 × 40, PK100			3.3mm
Set Screw, Slotted, CSK, M6 × 10, PK100	3.9mm	10mm	DTRNSE 1207 M6 10
Set Screw, Slotted, CSK, M6 × 20, PK100			DTRNSE 1207 M6 20
Set Screw, Slotted, CSK, M6 × 50, PK100			DTRNSE 1207 M6 50

www.element14.com  
 www.farnell.com  
 www.newark.com  
 www.cpc.co.uk  
 www.mcmelectronics.com

**Important Notice :** This data sheet and its contents (the "Information") belong to the members of the Premier Farnell group of companies (the "Group") or are licensed to it. No licence is granted for the use of it other than for information purposes in connection with the products to which it relates. No licence of any intellectual property rights is granted. The Information is subject to change without notice and replaces all data sheets previously supplied. The Information supplied is believed to be accurate but the Group assumes no responsibility for its accuracy or completeness, any error in or omission from it or for any use made of it. Users of this data sheet should check for themselves the Information and the suitability of the products for their purpose and not make any assumptions based on information included or omitted. Liability for loss or damage resulting from any reliance on the Information or use of it (including liability resulting from negligence or where the Group was aware of the possibility of such loss or damage arising) is excluded. This will not operate to limit or restrict the Group's liability for death or personal injury resulting from its negligence. DURATOOL is the registered trademark of the Group. © Premier Farnell plc 2012.

**TOLERANCES:**  
 UNLESS OTHERWISE SPECIFIED, DIMENSIONS ARE FOR REFERENCE PURPOSES ONLY.

<b>DRAWN BY:</b>	<b>DATE:</b>
SAN	17/03/15
<b>CHECKED BY:</b>	<b>DATE:</b>
ER	17/03/15
<b>APPROVED BY:</b>	<b>DATE:</b>
ER	17/03/15

<b>DRAWING TITLE:</b>			
<b>Set Screw Slot</b>			
<b>SIZE</b>	<b>DWG NO.</b>	<b>ELECTRONIC FILE</b>	<b>REV</b>
A4	DTRNSE 1207 M2 10-02	DTRNSE	1.0
<b>SCALE:</b> NTS		<b>U.O.M.:</b> mm	<b>SHEET:</b> 2 of 2

## X-ON Electronics

Authorized Distributor

*Click to view similar products for [Duratool](#) manufacturer.*

Other Similar products are found below :

[0110763](#) [0110764](#) [0110765](#) [0110767](#) [0110768](#) [0110769](#) [0110770](#) [0110771](#) [0210006](#) [0210009](#) [0290901](#) [08BL0BK3AS3K](#)  
[08BS0BK3AS3K](#) [08BSOHK3AS3K](#) [08KMFTO3AS1E](#) [08OMFHK3AS1E](#) [101ATN](#) [101BTN](#) [101CTN](#) [101FTN](#) [101VTN](#)  
[1024N](#) [1026N](#) [102VN](#) [10AW06](#)