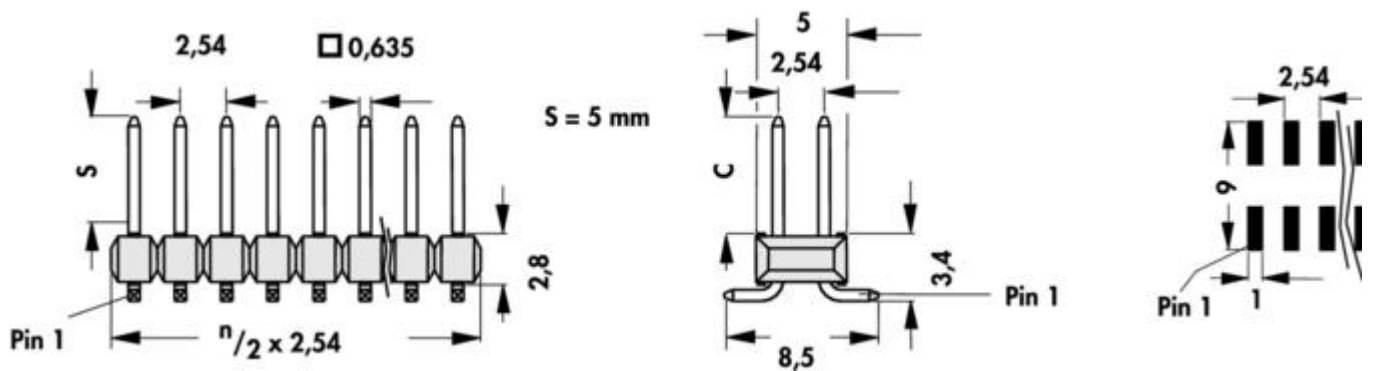


Male headers in SMD mounting / **SL 11 SMD 062**



**Parameters of article SL 11 SMD 062**

version	standard
surface	tin-plated
number of rows	2
no. of contacts	4 / 6 / 8 / 10 / 12 / 14 / 16 / 18 / 20 / 22 / 24 / ... / 40
grid	2.54
connection type	SMD
direction	standing
packing (option)	bar magazine / pick and place pad and bar magazine / ... /reel)
soldering	no
male cross-section	square 0.635
Reflow solderable	yes



## Technical data PCB connectors

	SL 1–6, 10–22, SLK 3 + 4, SL LP 1-4, LB SL, UM SL
Contact material: shell	CuSn-alloy
Contact surface of the shell: gold/tin	Ni + 0,2 µm Au (thicker gold platings on request), Ni + 6 µm Sn
Contact spring: material/surface	
Transition resistance:	≤ 5 mOhm
Shock resistance:	
Vibration resistance max.:	
Capacity between two adjacent contacts:	
Current rating:	3 A
Nominal voltage:	250 V AC
Test voltage:	2000 V
Insulator: material	PA 4.6, GF
Temperature range:	-40 °C ... +163 °C (+260 °C 1 min.)
Flammability class:	UL 94 V-0
Insulation resistance:	> 10 <sup>12</sup> Ohm
Plugability for pins:	
Insertion depth for pins:	
Insertion/Extraction, type:	holding force: > 7 N

## X-ON Electronics

Largest Supplier of Electrical and Electronic Components

*Click to view similar products for [FFC & FPC Connectors](#) category:*

*Click to view products by [Fisher](#) manufacturer:*

Other Similar products are found below :

[HFW11R-1STE1H1LF](#) [FH29B-100S-0.2SHW\(99\)](#) [FA5S008HP1](#) [FH29B-120S-0.2SHW\(99\)](#) [FH29B-80S-0.2SHW\(99\)](#) [FHS-16](#) [FPH-2022G](#)  
[52610-1075](#) [52610-1275](#) [52610-1934](#) [XF3M\(1\)-1415-1B-R100](#) [501864-3091-TR225](#) [0525594033](#) [086210010340800](#) [086222026001800](#)  
[52271-2869-CUT-TAPE](#) [62674-201121DLF](#) [62684-36210E9ALF](#) [52610-1675](#) [52746-1671-TR250](#) [10051922-2810EHLF](#) [6-520415-9](#)  
[BD021-09A-A1-0350-0200-0550-LD](#) [SFV6R-1STE9HLF](#) [XF3M-2915-1B-R100](#) [1658549-1](#) [62674-221121ALF](#) [46214008010800](#)  
[046298003000883](#) [151660622](#) [842-816-2630-035](#) [AYF530665TA](#) [AYF351525](#) [046296011930846+](#) [AYF352325A](#) [046254020000800+](#)  
[FH19C-13S-0.5SH\(99\)](#) [FH39J-51S-0.3SHW\(99\)](#) [AYF355125A](#) [AYF530365TA](#) [FH29B-44S-0.2SHW\(99\)](#) [SFW5R-2STAE9LF](#) [AYF351125A](#)  
[AYF350725A](#) [62684-502100AHLF](#) [FH39-61S-0.3SHW\(99\)](#) [AYF414035A](#) [10064555-172520HLF](#) [AYF212335A](#) [504754-2500](#)