

# Resin Sealed SMD Crystal



Model: FQ1045A

RoHS Compliant / Pb Free

Rev. 5/5/2014

Page 1 of 2

[http://www.foxonline.com/need\\_a\\_sample.htm](http://www.foxonline.com/need_a_sample.htm)



## FEATURES

- Surface Mount Resin Sealed
- Low Cost
- Ultra Low Profile
- Fundamental

## OPTIONS

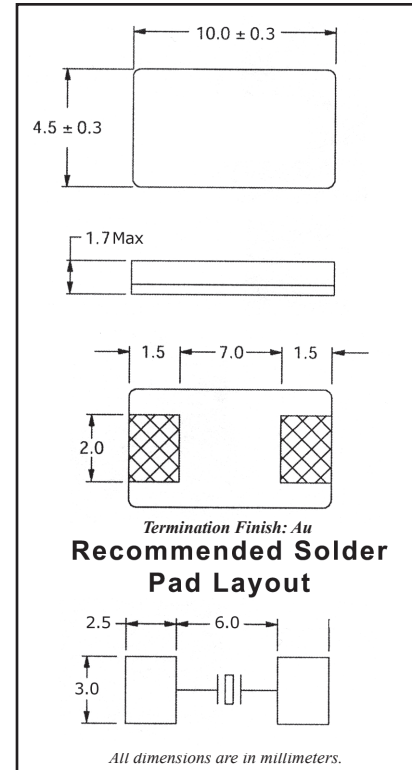
- Tolerances to  $\pm 20$  PPM
- Stabilities to  $\pm 20$  PPM
- Temp Range to  $-40^{\circ}\text{C} \sim +85^{\circ}\text{C}$

• PART NUMBER		
Part Number	Model Number	Frequency Range (MHz)
735A-Frequency-xxxxx	FQ1045A	3.2768 ~ 7.000

• STANDARD SPECIFICATIONS <sup>1</sup>	
PARAMETERS	MAX (unless otherwise noted)
Frequency Range (Fo)	3.2768 ~ 7.000 MHz
Frequency Tolerance @ 25°C	$\pm 30$ PPM <sup>1</sup>
Frequency Stability, ref @ 25°C Over Operating Temp Range	$\pm 30$ PPM <sup>1</sup>
Temperature Range	
Operating (TOPR)	$0^{\circ}\text{C} \sim +70^{\circ}\text{C}$ <sup>1</sup>
Storage (TSTG)	$-40^{\circ}\text{C} \sim +85^{\circ}\text{C}$
Shunt Capacitance (Co)	7 pF
Load Capacitance (CL)	10 pF ~ Series (Customer Specified)
Drive Level	0.5 mW
Aging per year	$\pm 5$ PPM

<sup>1</sup> Other tolerances, stabilities & operating temperature ranges available. Consult Fox Customer Service for specific requirements.

**NOTE:** The above specifications, having been carefully prepared and checked, is believed to be accurate at the time of publication; however, no responsibility is assumed by Fox Electronics for inaccuracies. All specifications subject to change without notice.



Frequency Range (MHz)	Operating Mode	Max ESR $\Omega$
3.2768 ~ 7.000	Fundamental	150

# Resin Sealed SMD Crystal



Model: FQ1045A

RoHS Compliant / Pb Free

Rev. 5/5/2014

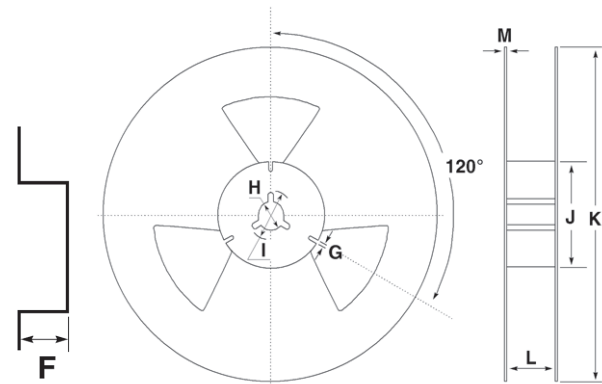
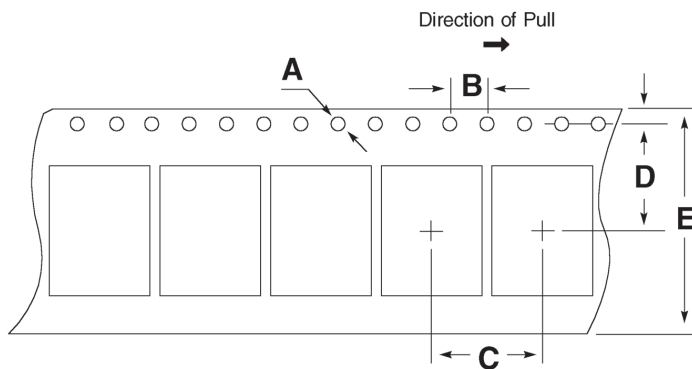
Page 2 of 2

[http://www.foxonline.com/need\\_a\\_sample.htm](http://www.foxonline.com/need_a_sample.htm)

Need a  
Sample®

• TAPE SPECIFICATIONS (millimeters)							
MODEL	A	B	C	D	E	F	STD Reel QTY
FQ1045A	∅1.5	4.0	8.0	11.5	24.0	2.0	1,000

• REEL SPECIFICATIONS (millimeters)							
MODEL	G	H	I	J	K	L	M
FQ1045A	2.0	∅13	∅21	∅100	∅330	24.4	2.0



All specifications subject to change without notice.

• FQ1045A Standard Crystals					
Part Number	Frequency	Tolerance	Stability	Temp Range	CL
FQ1045A-3.6864	3.686400	+/- 30 ppm	+/- 30 ppm	0 to +70 C	20pF
FQ1045A-4.000	4.000000	+/- 30 ppm	+/- 30 ppm	0 to +70 C	20pF
FQ1045A-6.000	6.000000	+/- 30 ppm	+/- 30 ppm	0 to +70 C	20pF
FQ1045AR-3.6864	3.686400	+/- 30 ppm	+/- 50 ppm	-40 to +85 C	20pF
FQ1045AR-4.000	4.000000	+/- 30 ppm	+/- 50 ppm	-40 to +85 C	20pF
FQ1045AR-6.000	6.000000	+/- 30 ppm	+/- 50 ppm	-40 to +85 C	20pF

## X-ON Electronics

Largest Supplier of Electrical and Electronic Components

*Click to view similar products for [Crystals](#) category:*

*Click to view products by [Fox](#) manufacturer:*

Other Similar products are found below :

[CS325S24000000ABJT](#) [718-13.2-1](#) [MC405 32.0000K-R3:PURE SN](#) [FC-135R 32.7680KF-A3](#) [7A-40.000MAAE-T](#) [7B-27.000MBBK-T](#)  
[FL2000085](#) [9B-15.360MBBK-B](#) [9C-7.680MBBK-T](#) [ASH7K-32.768KHZ](#) [AT-41.600MAGQ-T](#) [BTD1062E05A-513](#) [LFX TAL066198Cutt](#)  
[9C-14.31818MBBK-T](#) [FA-238 50.0000MB30X-K3](#) [FC-12M 32.7680KA-AC3](#) [SSPT7F-9PF20-R](#) [FX325BS-38.88EEM1201](#)  
[LFX TAL065253Cutt](#) [LFX TAL066431Cutt](#) [XT9S20ANA14M7456](#) [XT9SNLANA16M](#) [646G-24-2](#) [7A-24.576MBBK-T](#) [7B-30.000MBBK-T](#)  
[WX26-32.768K-6PF](#) [9B-14.31818MBBK-B](#) [CD1AM](#) [7B-25.000MAAE-T](#) [7A-14.31818MBBK-T](#) [6504-202-1501](#) [6526-202-1501](#) [FA-118T](#)  
[27.1200MB50P-K0](#) [FC-135R 32.7680KA-A3](#) [ABM12-104-37.400MHZT](#) [ABLS-10.000MHZ-D3W-T](#) [BTJ112E01E-513](#) [BTJ722K01C-7067](#)  
[BTL-20-513](#) [TSX-3225 24.0000MF15X-AC](#) [TSX-3225 16.0000MF18X-AC](#) [BTJ120E02C](#) [BTL-12-513](#) [7A-10.000MBBK-T](#) [7A-](#)  
[11.0592MBBK-T](#) [ABM12-103-24.000MHZT](#) [CS325S25000000ABJT](#) [ABM3B-25.000MHZ-B2-X-T](#) [FC-135 32.7680KA-A5](#) [FX0800015](#)