

**LARGE, TYPE 1**

**INDUSTRY STANDARDS**

 UL 50, 50E Listed; Type 1; File No. E27567  
 cUL Listed per CSA C22.2 No 40; Type 1; File No. E27567

 NEMA/EEMAC Type 1  
 CSA, File 42184: Type 1  
 IEC 60529, IP30

**APPLICATION**

These enclosures have a size range of 42 x 30 x 9-in. to 48 x 36 x 17-in. and meet basic functionality requirements for applications that do not require oil- or dust-tight enclosures.

**FEATURES**

- Continuous hinge on door
- Slotted flush latch; optional latches available
- Collar studs provided for mounting optional panels
- Mounting holes on back of enclosure; optional mounting bracket kit is available (AMFLN1)

**SPECIFICATIONS**

- 14 gauge steel

**FINISH**

ANSI 61 gray polyester powder paint finish inside and out over pretreated surfaces. Optional panels are white.

**ACCESSORIES**
*See also Accessories.*

T-Handle Latch and Keyed Cylinder Lock Kit

Electric Heater

Electrical Interlocks

Grounding Device

Panels for Medium Type 1 Enclosures

Junction Box and Wall-Mount Enclosure Swing Out Panel Kit

Terminal Block Kit Assembly for Junction Boxes Overview

Touch-Up Paint

Steel and Stainless Steel Window Kits

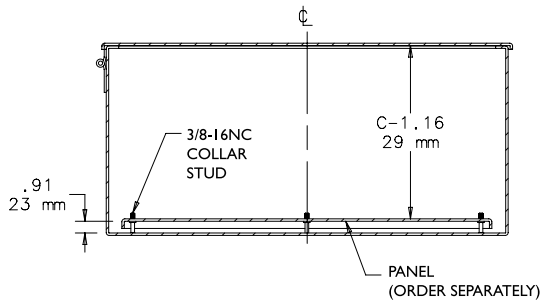
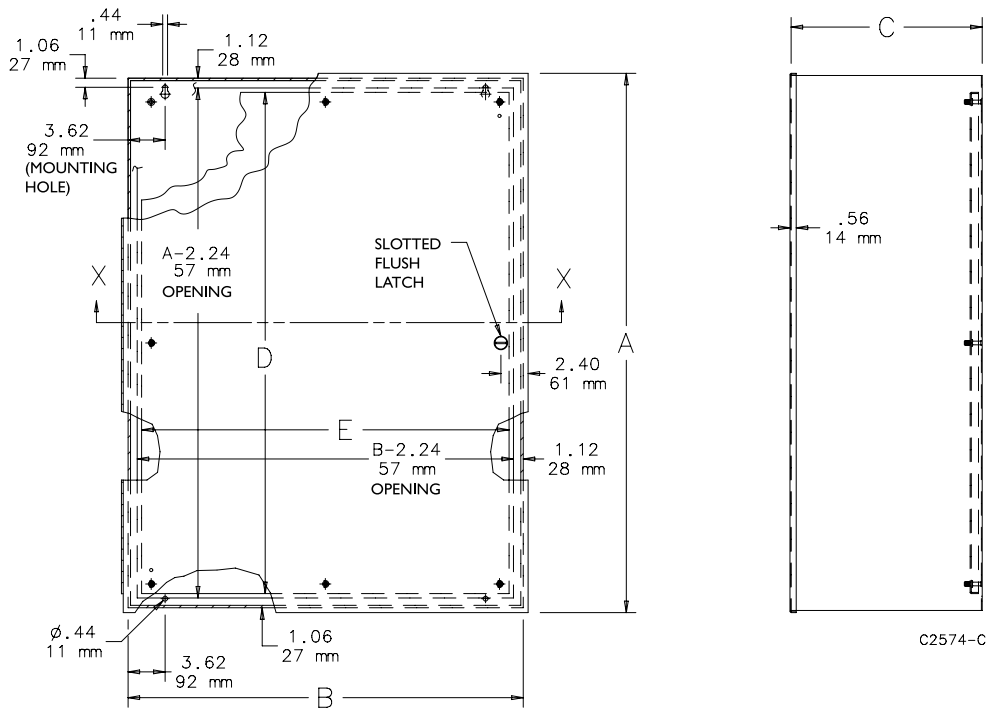
**BULLETIN: A1L**

## Standard Product

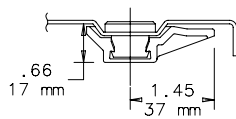
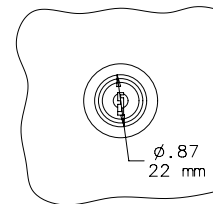
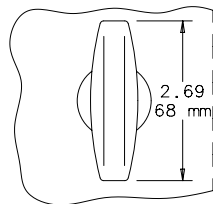
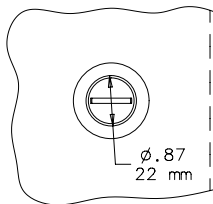
Catalog Number	AxBxC in./mm	Panel	Panel Size D x E in./mm	Mounting Bracket Kit
A42N3009	42.00 x 30.00 x 9.25 1067 x 762 x 235	A42P30	39.00 x 27.00 991 x 686	AMFLN1
A42N3609	42.00 x 36.00 x 9.25 1067 x 914 x 235	A42P36	39.00 x 33.00 991 x 838	AMFLN1
A48N3609	48.00 x 36.00 x 9.25 1219 x 914 x 235	A48P36	45.00 x 33.00 1143 x 838	AMFLN1
A48N3611	48.00 x 36.00 x 11.25 1219 x 914 x 286	A48P36	45.00 x 33.00 1143 x 838	AMFLN1
A42N3013	42.00 x 30.00 x 13.25 1067 x 762 x 337	A42P30	39.00 x 27.00 991 x 686	AMFLN1
A42N3613	42.00 x 36.00 x 13.25 1067 x 914 x 337	A42P36	39.00 x 33.00 991 x 838	AMFLN1
A48N3613	48.00 x 36.00 x 13.25 1219 x 914 x 337	A48P36	45.00 x 33.00 1143 x 838	AMFLN1
A48N3617	48.00 x 36.00 x 17.25 1219 x 914 x 438	A48P36	45.00 x 33.00 1143 x 838	AMFLN1

Purchase panels separately. Optional aluminum panels are available for most sizes.

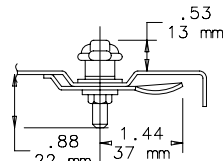
Mounting Bracket Kit must be ordered separately.



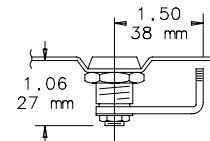
SECTION X-X



**Standard Slotted  
Flush Latch**



**"T" Handle Latch Kit  
AL7A (optional)**



**Cylinder Lock Kit  
AL12AR (optional)**

## X-ON Electronics

Largest Supplier of Electrical and Electronic Components

*Click to view similar products for [hoffman manufacturer](#):*

Other Similar products are found below :

[A-1412CHQR](#) [CSD201610](#) [CSD20168SS](#) [CSD20206](#) [CSD20208SS](#) [CSD24168](#) [CSD36248](#) [CSD36308](#) [PCU7](#) [PDS76R](#) [PRA197TP](#) [PT126](#)  
[A1008CHNFSS](#) [A10106CH](#) [A10106CHFL](#) [A10106PHCW](#) [A1066JFGQRR](#) [A1210CHNF](#) [A1212SC](#) [A1412CHNFSS](#) [A161208LP](#)  
[A161410CH](#) [A16H12ALP](#) [A16P14](#) [A16P16G](#) [A18P16AL](#) [A20H16BLP](#) [A20P16](#) [A24H2408SSLP](#) [Q13138PCE](#) [A404CH](#) [A606CHNF](#)  
[A606NF](#) [A806SC](#) [A845JFGR](#) [A864CHQRFGW](#) [A90P36F1](#) [HJ1412HWPL2LG](#) [HJ1816HWPL2LG](#) [RHJ1210HWPL2LG](#) [AS125SS](#)  
[ASE10X10X4](#) [ASE12X12X4](#) [E1PBG](#) [E2PBG](#) [E3PB](#) [LED24V15](#) [LF230VD](#) [A10106PHC](#) [A10P8SS](#)