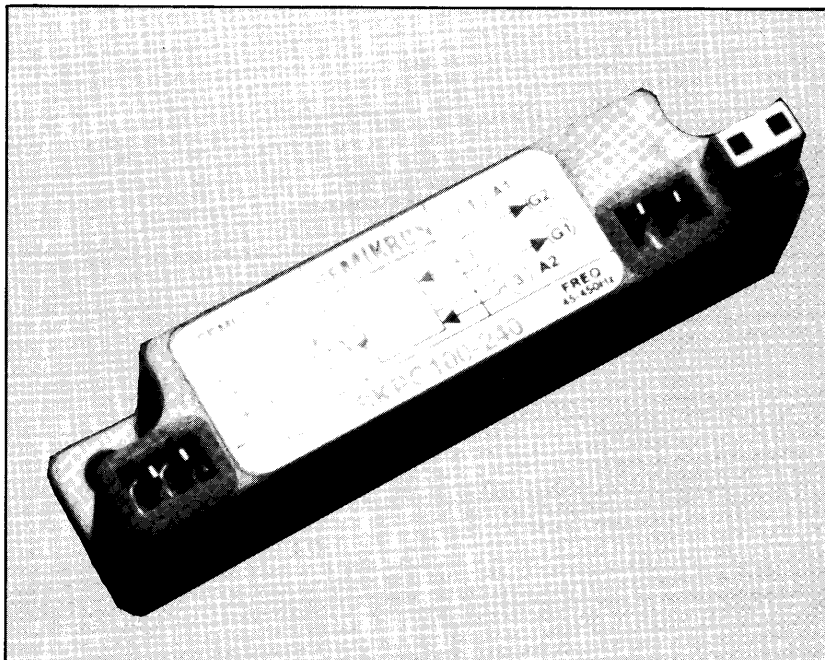


# SEMIKRON

innovation + service



SKPC100 is one of the new generation of Semikron Power Control Modules (SEMI-PCM). The new design allows triggering of a wide range of SCR's for both zero voltage or instantaneous switching applications. Thus forming the basis of very high power solid state relays. The SKPC100 is particularly suitable for highly inductive or large in-rush current type loads.

The improved design incorporates a wider range of input logic voltages, operation in D.C. bridges type B2HZ/B2HKF and higher operating temperatures. The opto-isolated input circuit has a high sensitivity and is protected against reverse voltage connections.

The versatile packaging is fully compatible for mounting with SEMIPACK 1 to SEMIPACK 4 SCR Modules. Identical polarised dual plugs, as used for SEMIPACK gate/cathode connections, are provided to simplify wiring of the SKPC100 to SEMIPACK Modules.

SKPC100  
INSTANTANEOUS  
TRIGGER  
CONTROL MODE

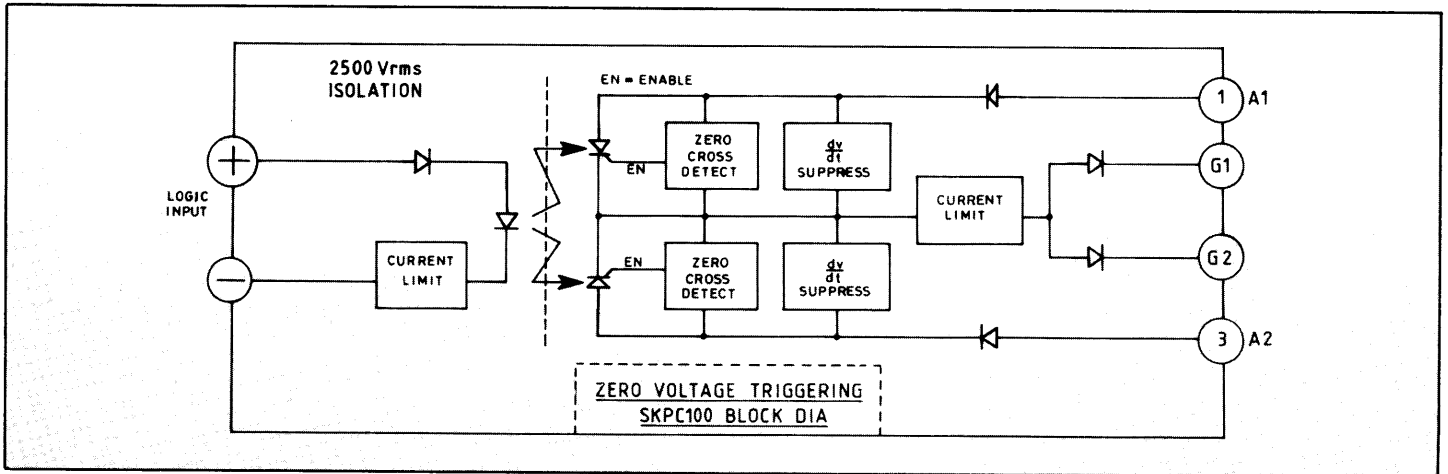
SKPC100Z  
ZERO VOLTAGE  
TRIGGER  
CONTROL MODE

## MAIN FEATURES

- \* TTL and CMOS compatible
- \* Fully Isolated protected input
- \* Conforms to UL, CSA and VDE requirements
- \* Triggers, wide range of SCR's
- \* Versatile Package

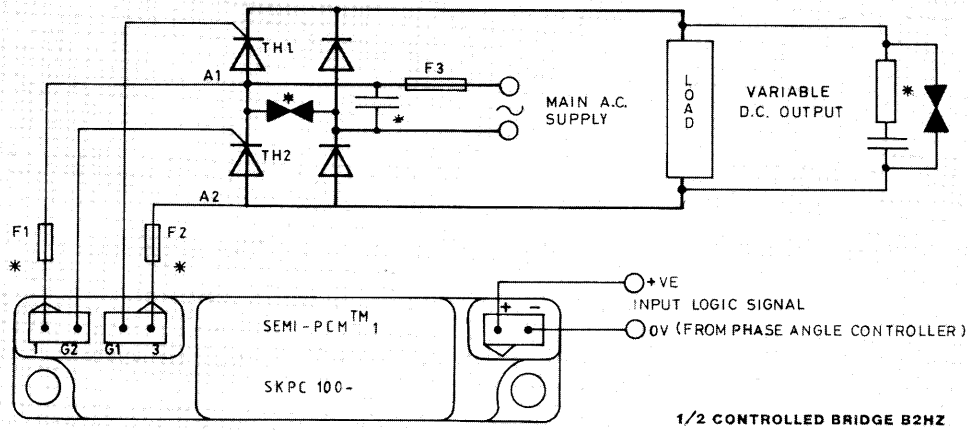
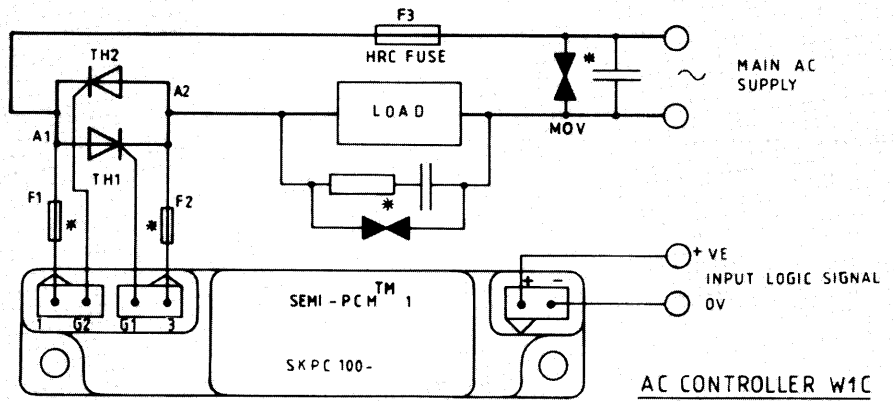
## TYPICAL APPLICATIONS

- \* High Power Solid State Relays
- \* High In-rush Current Loads
- \* Phase Angle Control of Heating Loads etc.

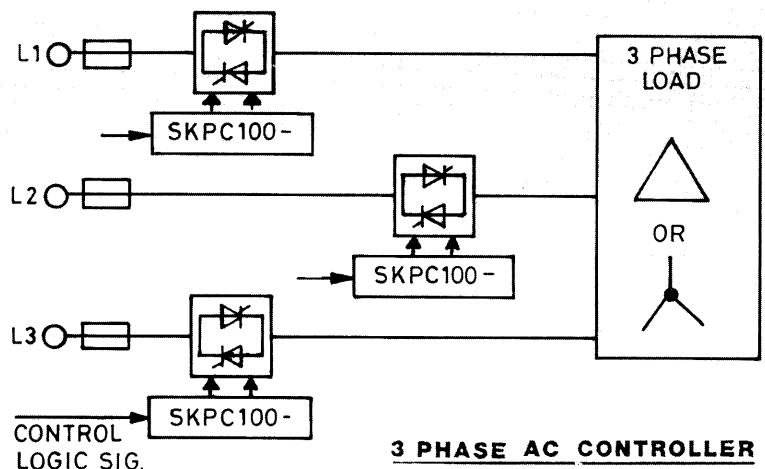


**NOTES**

1. FUSE F1 AND F2 RECOMMENDED: 500mA FAST BLOW (HRC) TYPE
  2. USE SKPC100 FOR PHASE ANGLE CONTROL APPLICATIONS
  3. USE SKPC100Z FOR ZERO CROSS (SOLID STATE RELAY) APPLICATIONS
- \* RECOMMENDED PROTECTIVE COMPONENTS

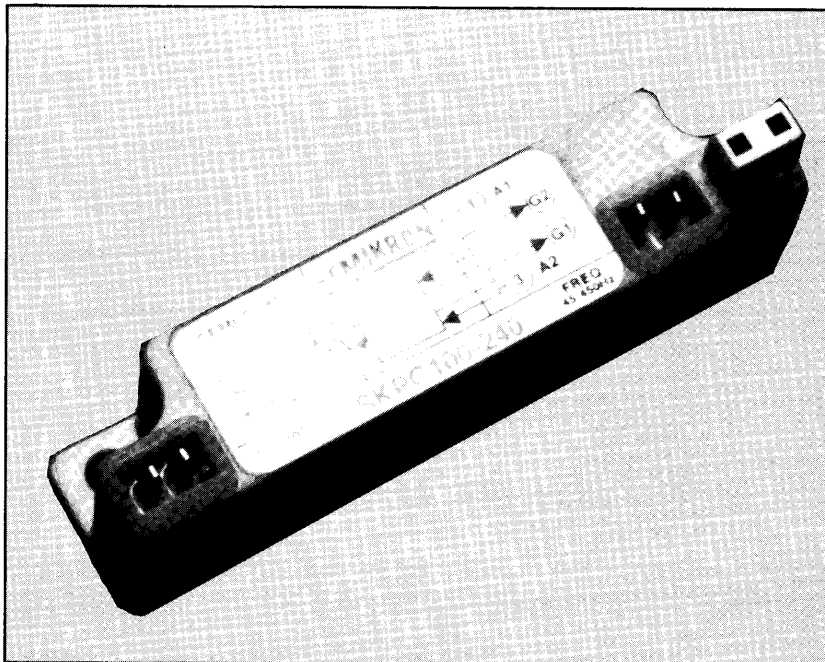


**APPLICATION EXAMPLES**



# SEMIKRON

innovation + service



SKPC100 is one of the new generation of Semikron Power Control Modules (SEMI-PCM). The new design allows triggering of a wide range of SCR's for both zero voltage or instantaneous switching applications. Thus forming the basis of very high power solid state relays. The SKPC100 is particularly suitable for highly inductive or large in-rush current type loads.

The improved design incorporates a wider range of input logic voltages, operation in D.C. bridges type B2HZ/B2HKF and higher operating temperatures. The opto-isolated input circuit has a high sensitivity and is protected against reverse voltage connections.

The versatile packaging is fully compatible for mounting with SEMIPACK 1 to SEMIPACK 4 SCR Modules. Identical polarised dual plugs, as used for SEMIPACK gate/cathode connections, are provided to simplify wiring of the SKPC100 to SEMIPACK Modules.

SKPC100  
INSTANTANEOUS  
TRIGGER  
CONTROL MODE

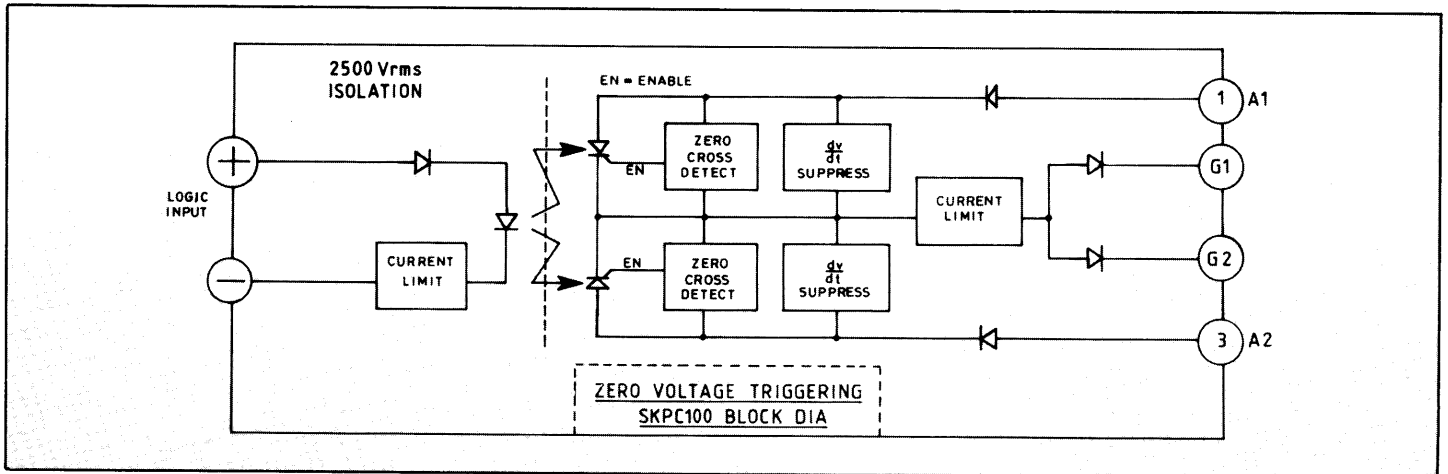
SKPC100Z  
ZERO VOLTAGE  
TRIGGER  
CONTROL MODE

## MAIN FEATURES

- \* TTL and CMOS compatible
- \* Fully Isolated protected input
- \* Conforms to UL, CSA and VDE requirements
- \* Triggers, wide range of SCR's
- \* Versatile Package

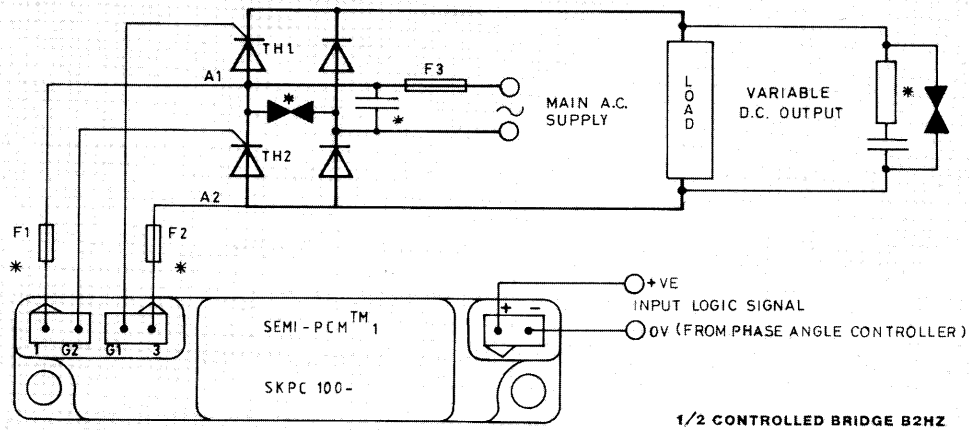
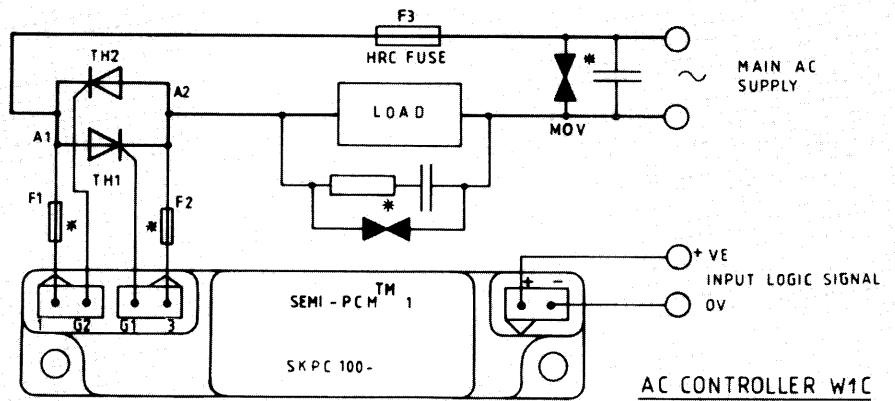
## TYPICAL APPLICATIONS

- \* High Power Solid State Relays
- \* High In-rush Current Loads
- \* Phase Angle Control of Heating Loads etc.

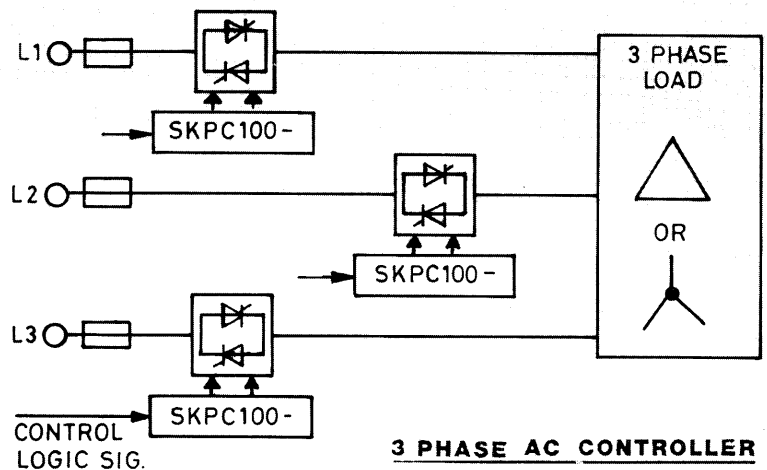


### NOTES

1. FUSE F1 AND F2 RECOMMENDED: 500mA FAST BLOW (HRC) TYPE
  2. USE SKPC100 FOR PHASE ANGLE CONTROL APPLICATIONS
  3. USE SKPC100Z FOR ZERO CROSS (SOLID STATE RELAY) APPLICATIONS
- \* RECOMMENDED PROTECTIVE COMPONENTS



## APPLICATION EXAMPLES



## X-ON Electronics

Largest Supplier of Electrical and Electronic Components

*Click to view similar products for [semikron](#) manufacturer:*

Other Similar products are found below :

[SKD 60/12](#) [SKKT 42B12 E](#) [SKM200GB12T4](#) [SKR 130/14](#) [SKCH 40/16](#) [SKKT 92/18E](#) [SKYPER 32 R](#) [SKKH 27/16E](#) [SKKD 380/16](#) [SKD 110/08](#) [SKD 62/12](#) [SKIIP 36NAB126V1 M20](#) [SKKD 162/20H4](#) [SKKD 380/08](#) [SKKH 72/20E H4](#) [SKKT 250/12E](#) [SKN71/02](#) [SKN 100/12](#) [SKN 100/14](#) [SKR 100/08](#) [SKIIP 24AC12T4V1 M20](#) [SKIIP 28AHB16V1 M20](#) [SKIIP 35NAB126V10 M20](#) [SKKH 570/16E](#) [SKKE 380/16](#) [SKR 130/18](#) [SKKD 26/14](#) [SKKT 570/18E](#) [SKN 130/14](#) [SKPC200-240](#) [SKPC100Z-440](#) [SK 100 WT 12](#) [SK 25 UT 12](#) [SKR70/04](#) [SKD35/16](#) [SKKT 42/08E](#) [SKCH 40/08](#) [SKD 62/18](#) [SKD 82/08](#) [SKIIP 23NAB126V1 M20](#) [SKKQ 1200/14E](#) [SKR 60F12](#) [SKR 100/04](#) [SKR 100/14](#) [SKIIP 37AC12T4V1 M20](#) [SKD 60/16](#) [SKD 62/08](#) [SKDT 60/12](#) [SKKT 106B16 E](#) [SKKD 60F17](#)