

Sectional Terminal Blocks

General Information:

Sectionals are terminal blocks which are made up of individually molded units with electrically conductive members. Marathon offers barrier sectionals from 3/8ths to 1/2 pitch, Euro style sectionals from 5mm to 12mm pitch with fusing, disconnection and grounding options. These sectionals will mount on either a standard 35mm DIN rail, channel rail, or panel (anchor directly).

Ratings and Standards:

The voltage ratings of terminal blocks are based upon the minimum spacing between electrically conductive parts line-to-line through air and over surface and line-to-ground through air and over surface.

Class A

Service equipment including deadfront switchboards, panel boards and service entrance devices.

Class B

Commercial appliances including business equipment and electronic data processing equipment.

Class C

General industrial and machine tool controls which can be further defined as equipment falling under UL 508.

Spacing Requirements (in inches):

	Voltage	Thru Air	Over Surface
Class A	51-150	.500	.750
	151-300	.750	1.250
	301-600	1.000	2.000
Class B	51-150	.063	.063
	151-300	.094	.094
	301-600	.375	.500
Class C	51-150	.125	.250
	151-300	.250	.375
	301-600	.375	.500

Applications:

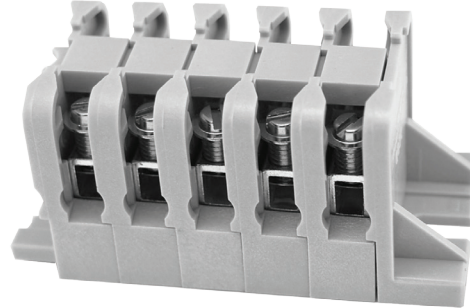
Designed for electrical termination of wire where flexibility of circuit design is necessary. Accepts single or multiple wire sizes for tubular screw and tubular clamp styles.

Sectional Terminal Blocks

3/8" Sectional Channel (C), Flat (F), & DIN Mount

Specifications:

- 600 volts AC/DC
- 32 circuits per foot
- Meets IP20 touchproof requirement
- UL recognized file no. XCFR2.E62806
- CSA certified file no. LR19766
- CE compliant
- RoHS compliant



6G38 TS KK F

6G38 TS - Tubular Screw Connector

Materials:

- Base - grey thermoplastic, 125°C (UL RTI)
- Tubular screw connector- copper, tin plated
- Screw - #10-32 steel, nickel plated
- Wire termination torque 16 in-lb

Wire Ranges:

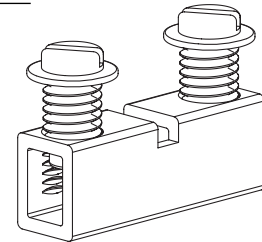
- 50 amps (40 Amps CSA)
- Single and multiple wire combinations:

Stranded CU

- (1) #8 - #18 AWG
- (1-3) #12 AWG
- (1-4) #14 AWG

Solid CU

- (1) #10 - #16 AWG
- (1-3) #12 AWG
- (1-4) #14 or #16 AWG



Ordering Code:

6G38 TS F	Flat mount block	Std pk 100	See Figure 2 On Page 90
6G38 TS C	Channel mount block	Std pk 100	See Figure 1 On Page 90
6G38 TS DIN	DIN mount block	Std pk 25	See Figure 3 On Page 90

6G38 TSKK - TS with Wire Protector Connector

Materials:

- Base - grey thermoplastic, 125°C (UL RTI)
- Kant Kut connector- copper, tin plated
- Screw - #10-32, nickel plated, pad - steel
- Wire termination torque 16 in-lb

Wire Ranges:

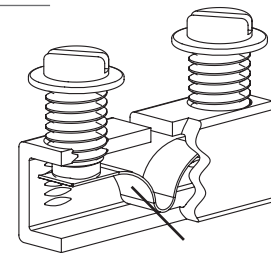
- 40 Amps
- Single and multiple wire combinations:

Stranded CU

- (1) #10-#22 AWG
- (1-2) #12 AWG
- (1-3) #14 AWG
- (1-4) #16 AWG
- (1-5) #18 or #22 AWG

Solid CU

- (1) #10 - #14 AWG
- (1-2) #12 or #14 AWG



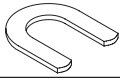
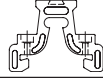
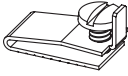

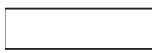


WIRE PROTECTOR

Ordering Code:

6G38 TSKK F	Flat mount block	Std pk 100	See Figure 2 On Page 90
6G38 TSKK C	Channel mount block	Std pk 100	See Figure 1 On Page 90
6G38 TSKK DIN	DIN mount block	Std pk 25	See Figure 3 On Page 90

Sectional Terminal Blocks

Sectional Terminal Block Accessories

Catalog #	Description		Std Pk	Catalog #	Description		Std Pk
J 38	Jumper for TS and TSKK		50	MSK35	End bracket for DIN mount base		25
MC	Mounting Clamp (For channel style only)		25	6G38 E C 6G38 E F 6G38 E DIN	End bracket for 6G38 versions		25
MS 2	Vinyl Marking Strip (1/2" x 2' white)		25	MPC-3 (3 ft channel) MPC-6 (6 ft channel)	Channel		1
MN35-2	DIN Rail, 35 x 7.5 mm 2 m long, slotted		25				

Sectional Terminal Block Dimensions - 6G38 TS & TSKK

FIGURE 1:
Channel Mount

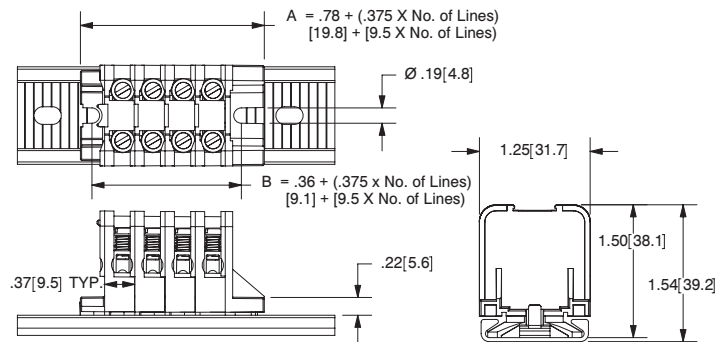


FIGURE 2:
Flat Mount

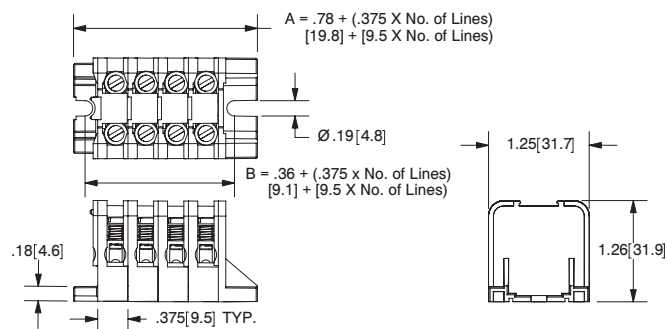
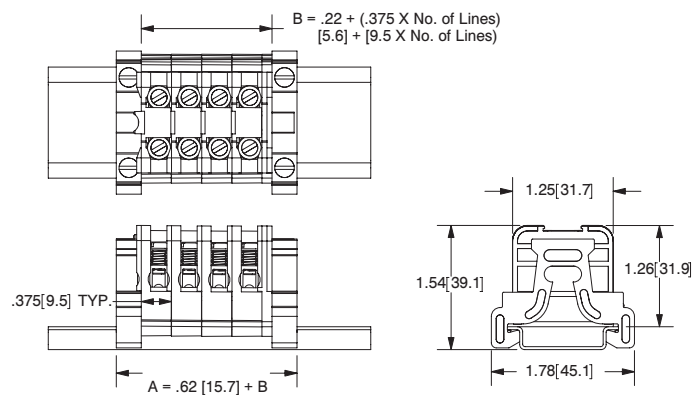


FIGURE 3:
DIN Mount

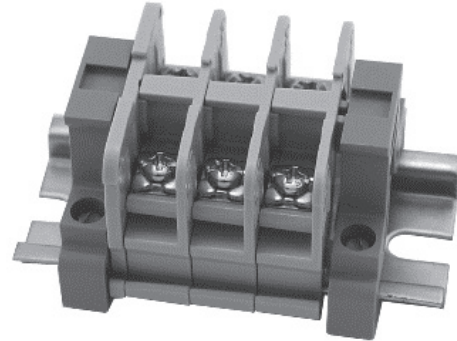


Sectional Terminal Blocks

7/16" Sectional Terminal Block

Specifications:

- 600 volts AC/DC, 40 amp
- 65kA SCCR (see data sheet for details)
- 27 circuits per foot
- UL recognized file no. XCFR2.E62806, XCFR8.E62806
- CSA certified file no. LR19766
- CE compliant
- RoHS compliant



6G44 SP DIN

6G44 SP DIN - SEMS Pressure Connector, DIN Mounted

Materials:

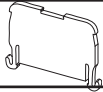

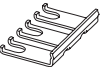
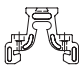

- Base - grey thermoplastic, 125°C (UL RTI)
- Connector - brass, tin plated
- Screw - #6 with pad, steel, nickel plated

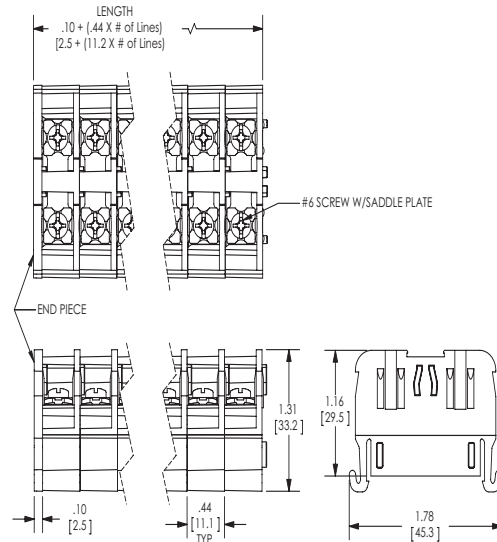
Wire Ranges:

- CU only, Str/Sol
- Base wire:
(1) #12-#22 AWG
(1-2) #22-12 AWG
Classes B, C, G, H, I, K
Wire termination torque 10 lb-in

Prepared wire (lug or spade):
(1-2) #10-16 AWG

Sectional Terminal Block Accessories

Catalog #	Description		Std Pk
6G44 E DIN	End Sections		25
MS 44	7/16 Marking strip (4' long, white)		6
601 RJS XX	Jumper (various lengths)		N/A
MSK35	End Bracket for DIN Rail		25
MN35-2	DIN Rail 35 x 7.5 mm 2m long, slotted		N/A



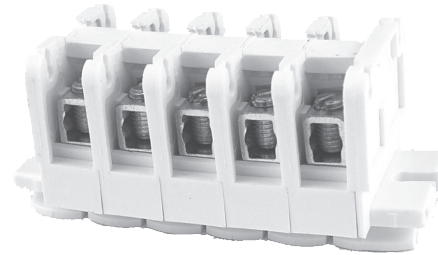
SECTIONAL
TERMINAL BLOCKS

Sectional Terminal Blocks

1/2" Sectional

Specifications:

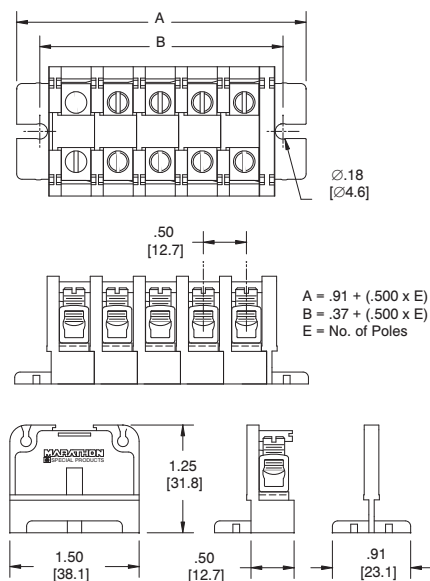
- 600 volts AC/DC
- 24 circuits per foot
- Base, white nylon - type 6/6 105°C
- Tubular screw (TSCU) copper, tin plated;
Screw #1/4-28 steel, nickel plated
- Wire range #4-#16 AWG copper, 70 amps
- Torque 20 lb-in
- UL recognized file no. XCFR2.E62806
- CSA certified file no. LR19766
- CE compliant
- RoHS compliant



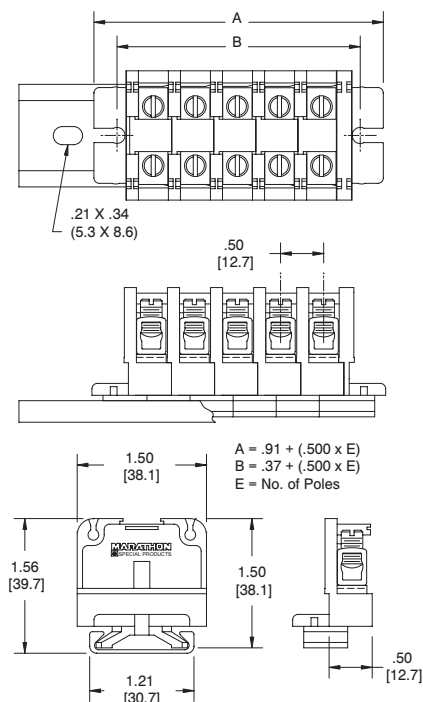
6H12 TSCU C

Catalog #	Description		Std Pk	Catalog #	Description		Std Pk
6H12 TSCU F For flat mount block	Tubular Screw		50	J 12	Jumper		50
6H12 TSCU C For channel mount block	Tubular Screw		50	MC	Mounting Clamp		25
6H12 E F For flat mount block	End Section		25	MPC-3 (3 ft channel) MPC-6 (6 ft channel)	Channel		--
6H12 E C For channel mount block	End Section		25	MS 2	Vinyl Marking Strip - 1/2" x 2'		25

Flat Mount:



Channel Mount:

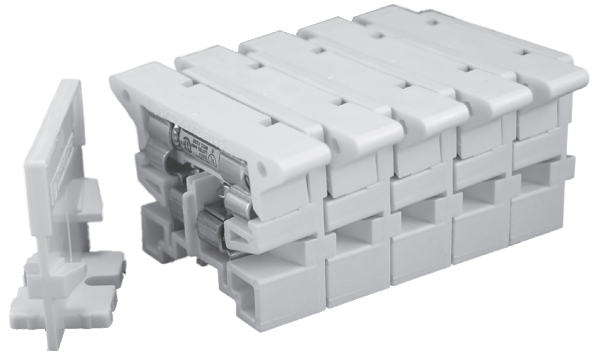


Sectional Terminal Blocks

11/16" Sectional Midget Fuse Holder

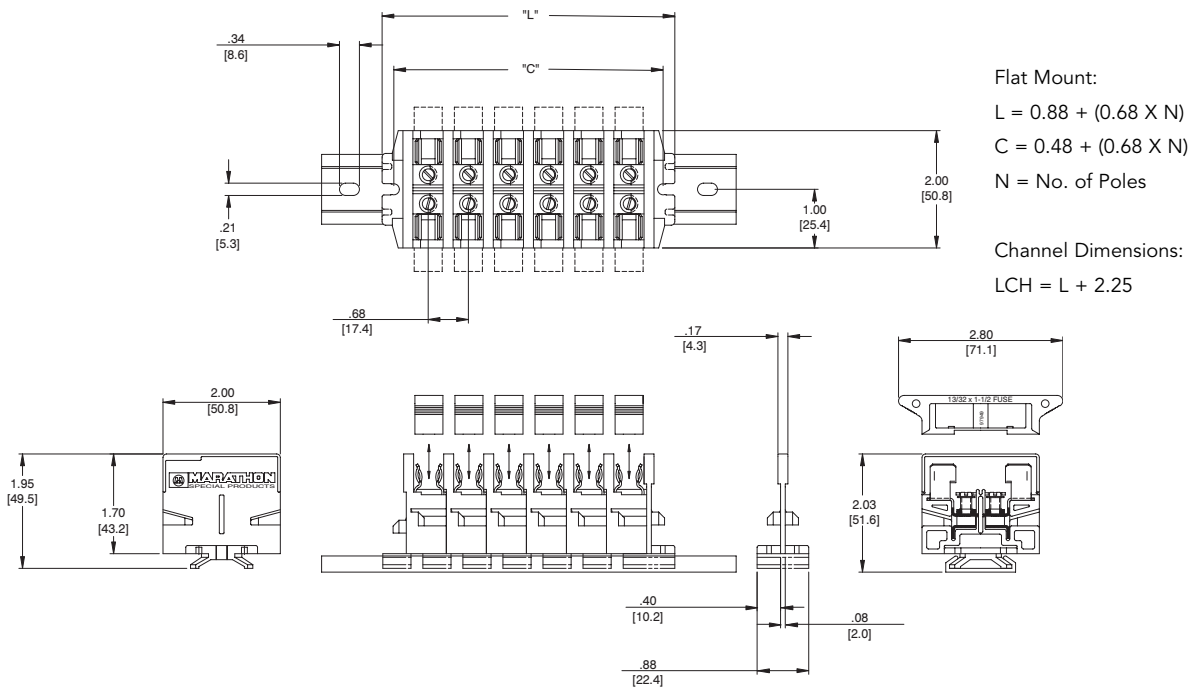
Specifications:

- 600 volt, 30 amp
- Tested and approved for 10,000 amp withstand rating
- Base, white nylon - type 6/6 105°C
- Connector box type
- Accepts up to #10 AWG wire, either terminated or non-terminated
- Clip, copper alloy, tin plated
- UL recognized file no. IZLT2.E35113
- CSA certified file no. LR21455
- CE compliant
- RoHS compliant



6W30A1F with end piece (fuse not included)

Standard	Description	Std Pk	Wire Range	Fuse Size	Fuses
6W30A1F	Flat Mount	10	#10-#14 AWG CU STRANDED	13/32" DIA BY 1 1/2" LONG	A13X-2, A25Z-2, A60Q-2, A6Y- 2B, AGU, ATM, ATQ, BAF, BAN, BLF, BLN, BLS, FLA, FLM, FLQ, FNM, FNO, GFN, GGO, KLK, KLKD, KLO, KTK, OTM, TRM
6W30A1C	Channel Mount				
6WEF	End Piece (flat)				
6WEC	End Piece (channel)				
MC	Mounting Clamp	25			
MPC-6	6 Foot Channel	---			
MPC-3	3 Foot Channel				
GR-2	1/8" Diameter X 2' Long Nylon Rod				



SECTIONAL
TERMINAL BLOCKS

Sectional Terminal Blocks

DIN (Euro-Style) Sectionals

Specifications:

- Insulating material:
 - Nylon- 6/6, grey
 - UL 94V-2 flammability rating
 - 100°C / 212°F continuous, 170°C / 338°F intermittent & short exposure
- Connector, copper, nickel plated
- Screws, steel, zinc plated
- Integrated pressure plate to avoid wire damage
- For identification labels - see page 95

Standards:

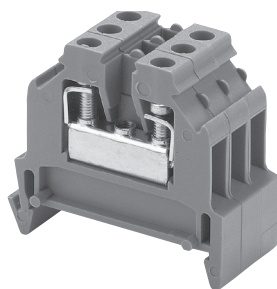
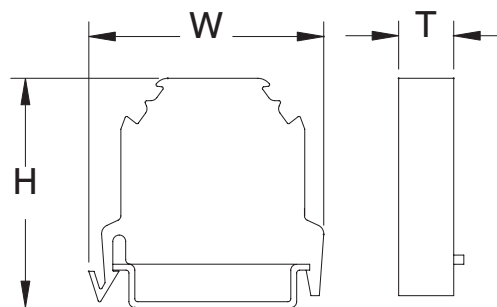
- UL recognized file no. XCFR2.E62806
- CSA certified file no. LR700930
- VDE
- CE compliant
- RoHS compliant

Catalog #	Wire Range	Amps			Volts	Dimensions (mm)			Terminals per foot	Terminal Torque	Description
		UL	CSA	VDE		T	W	H			
MIK3	#12-#22 AWG	20	25	26	600	5	42	36	60	5	Terminal
MIK5	#10-#22 AWG	30	25	24	600	6	42	38	50	13.3	Terminal
MIK10	#8-#22 AWG	50	50	61	600	8	42	44	38	13.3	Terminal
MIK16	#6-#22 AWG	65	68	82	600	10	42	44	30	18	Terminal
MIK25	#4-#8 AWG	85	70	108	600	12	50	48	25	53	Terminal
MIKTS4	#12-#22 AWG	20	20	16	300	6	42	53	50	-	Disconnect
MIKSI5	#10-#20 AWG	10	-	6	300	8	60	47	38	-	Fused Terminal ¹
MIKE4	#10-#22 AWG	-	-	-	-	7	56	38	-	8.0	Grounding Lug ²
MIKE10	#8 AWG	-	-	-	-	8	56	44	-	13.3	Grounding Lug ²
MIKE16	#6 AWG	-	-	-	-	10	56	44	-	18	Grounding Lug ²

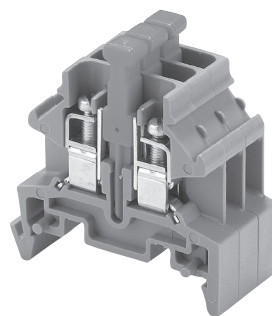
¹ UL File No. E35113, For Fuse Type - 5x20 or 5x25 mm

² Grounding Lugs are Green/Yellow Nylon

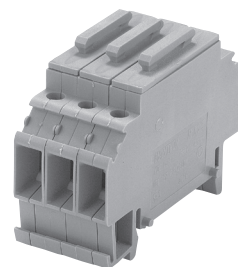
Dimensions:
H = Height
W = Width
T = Thickness



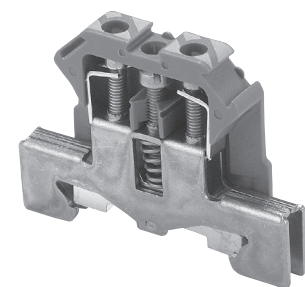
Terminal
(MIK5)



Disconnect Terminal
(MIKTS4)



Fused Terminal
(MIKSI5)



Grounding Lug
(MIKE10)

Sectional Terminal Blocks

DIN (Euro-Style) Sectionals

Hardware:

- Insulating end sections - cover the last terminal of an assembly
- Insulating partitions - for visual and electrical separation of terminals grouped on DIN rail
- 2-position jumpers - connect two adjacent terminals (middle portion snaps off to assemble)
- 12-position jumpers - connects up to 12 adjacent terminals (middle portion snaps off to assemble)
- Jumper can be easily cut to length to connect smaller assemblies
- Connecting strap - for linking two adjacent 12-pole jumpers
- Safety cover - cover with warning label for line terminals which cannot be disconnected
- End brackets - anchors on both ends of terminal assemblies to hold the assembly in place
- DIN rail - standard 35 x 7.5 mm DIN rail, cut in 2 meter lengths with slots for mounting (steel, zinc plated)

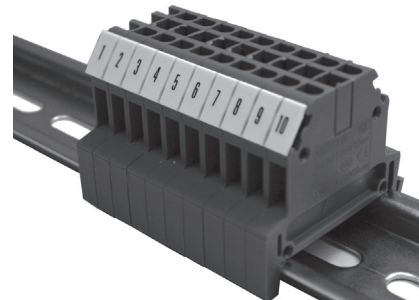
Hardware	MIK3	MIK5	MIK10	MIK16	MIK25	MIKTS4	MIKS15
Insulating End Sections	MIW2	MIW4	MIW16	MIW16	MIW50	MIW4	-
Insulating Partitions	MIW4	MIW16	MIW50	MIW50	MIW70	-	MIW50
2-Position Jumper	MVB2-2	MVB4-2	MVB6-2	MVB16-2	MVB25	-	-
12-Position Jumper	MVB2-12	MVB4-12	MVB6-12	MVB16-12	-	-	-
Connecting Strap	MVL2-2	MVL4-2	MVL6-2	MVL16-2	MVL25	-	-
Safety Cover	MKAW2		MKAW10	MKAW16	MKAW25	-	-
End Bracket/Anchor	MSK35						
DIN Rail	MN35-2						

MSK35 - End Bracket Securing Torque 7-9 lb-in (.8-1 N-m)

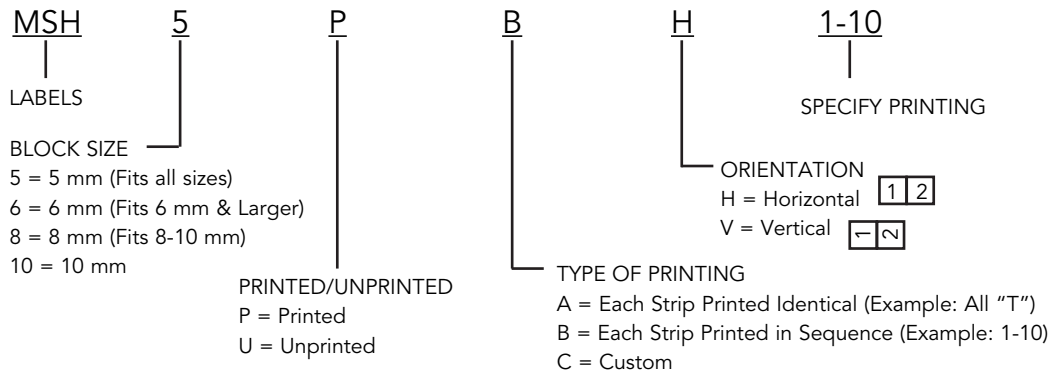
Universal Identification Labels Type MSH

Specifications:

- Available plain, with numbers, letters or symbols
- Can be labeled vertically or horizontally
- Single label MSH 5 can be used for all sizes
- MSH5 & 6 are sold in ten strips of ten,
- MSH8 & 10 are sold in ten strips of five
- RoHS compliant



Ordering Code:



SECTIONAL
TERMINAL BLOCKS

X-ON Electronics

Largest Supplier of Electrical and Electronic Components

Click to view similar products for [marathon manufacturer](#):

Other Similar products are found below :

[104](#) [599-GP-2004-10](#) [600-2004-3-SP](#) [600-GP-20](#) [600TS-10](#) [601-GP-2102-02](#) [601-GP-3/4ST-12](#) [601-GPYSY-03](#) [602-GPYSY-22](#) [603-2302-04](#) [603-JJ-04](#) [603-JJ-07](#) [604-JJ-06](#) [605-GP-03SLB](#) [605-JJ-02](#) [651-XPR-13](#) [670-3/4ST-9](#) [670A-GP-3000-18](#) [670A-GP-3000-25](#) [670A-GP-3000-27](#) [670A-GP-3/4ST-10](#) [670-GP-19](#) [CW205-01C](#) [671-RZ-25](#) [672-GPY-05](#) [672-RZ-24](#) [699-GP-2102-08](#) [699-GP-2120-12](#) [6F30A3S](#) [6H38-TSKK-C](#) [6R30A3SP](#) [F600A1B](#) [F600A3B](#) [F60A1B](#) [799-6-KT28](#) [799-7-KT28](#) [FPB33588](#) [8TBJ02](#) [R30A1B](#) [RF400A3B](#) [1321970](#) [1322970CH](#) [1320972](#) [1331955](#) [1332270](#) [1332554CH](#) [1333280CH](#) [1333575CH](#) [1353701](#) [1353701CH](#)