

## FR 8, 8 OHM & FR8, 4 OHM



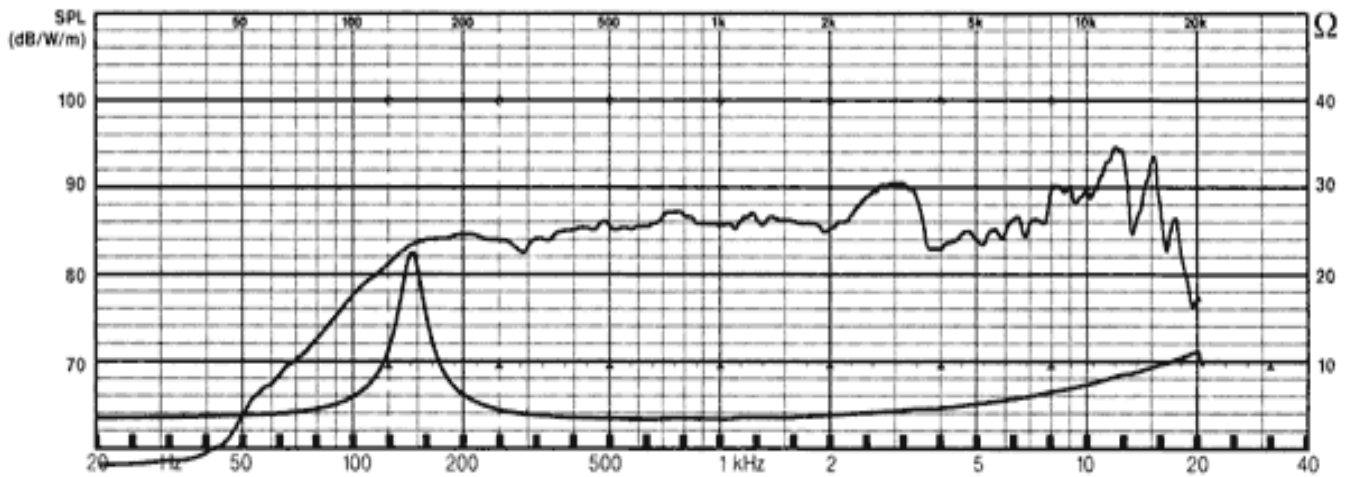
8 cm (3.3") full range speaker with good bass reproduction, balanced frequency response and high efficiency. Especially suitable as built-in speaker for music reproduction and as driver for 100 V network column speakers.

**Typical applications:**

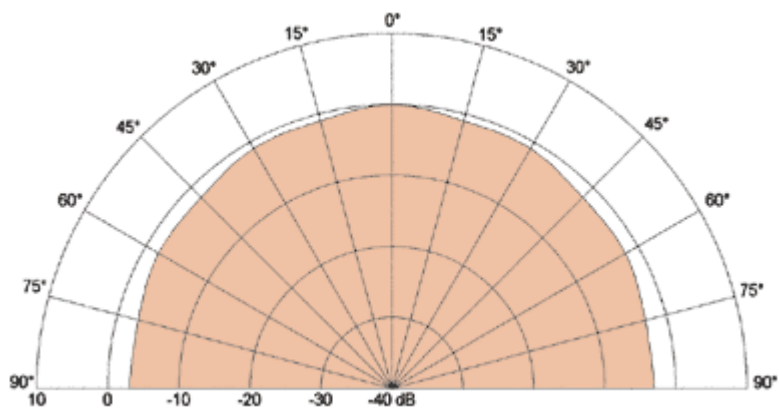
- Narrow network column speakers
- Control speaker for electronic devices
- Ceiling-mounted speakers in railway carriages and busses
- Electronic musical instruments

Technical Data:		
	FR8, 8 Ohm	FR8, 4 Ohm
Rated power		10 Watt
Maximum power		15 Watt
Nominal impedance	8 Ohm	4 Ohm
Frequency response (-10 dB)		130 - 20000 Hz
Mean sound pressure level		86 dB (1W/1m)
Maximum cone displacement		4 mm
Resonance frequency fs		150 Hz
Magnetic induction		1,4 Tesla
Magnetic flux		200 µ Weber
Height of front pole-plate		3 mm
Voice coil diameter		1,5 cm
Height of winding		0,5 cm
Cutout diameter		7,5 cm
Net weight		0,24 kg
D.C. resistance Rdc		7 Ohm
Mechanical Q factor Qms		1,16
Total Q factor Qts		0,96
Equivalent volume Vas		0,67 l
Effective piston area Sd		30 cm <sup>2</sup>
Dynamically moved mass Mms		1,7 g
Force factor Bxl		2,5 T · m
Inductance of the voice coil L		0,62 mH

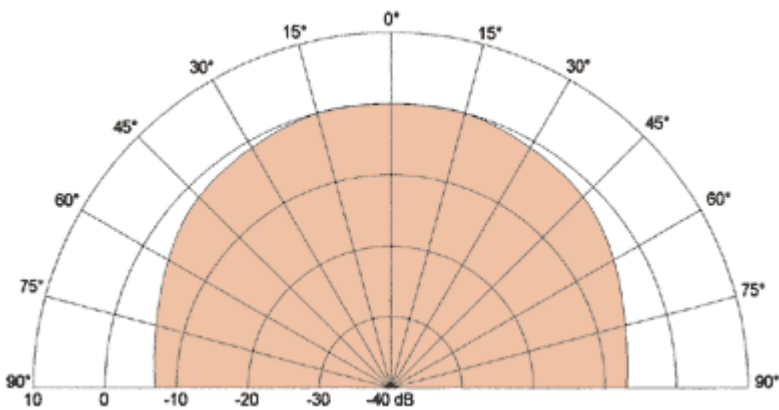
## Frequency and Impedance Response



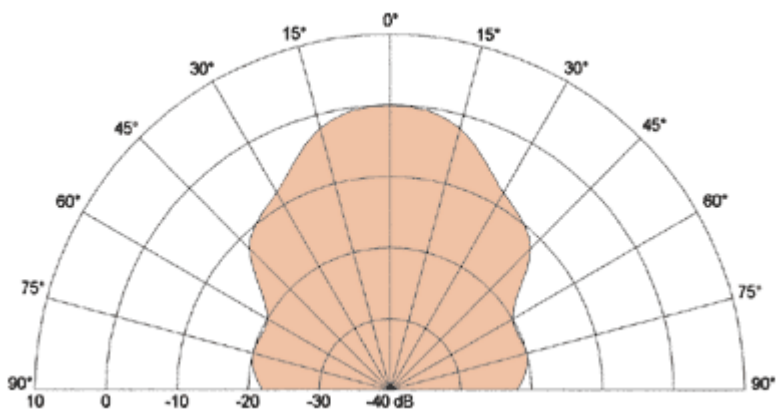
### Radiation Pattern at 2000Hz



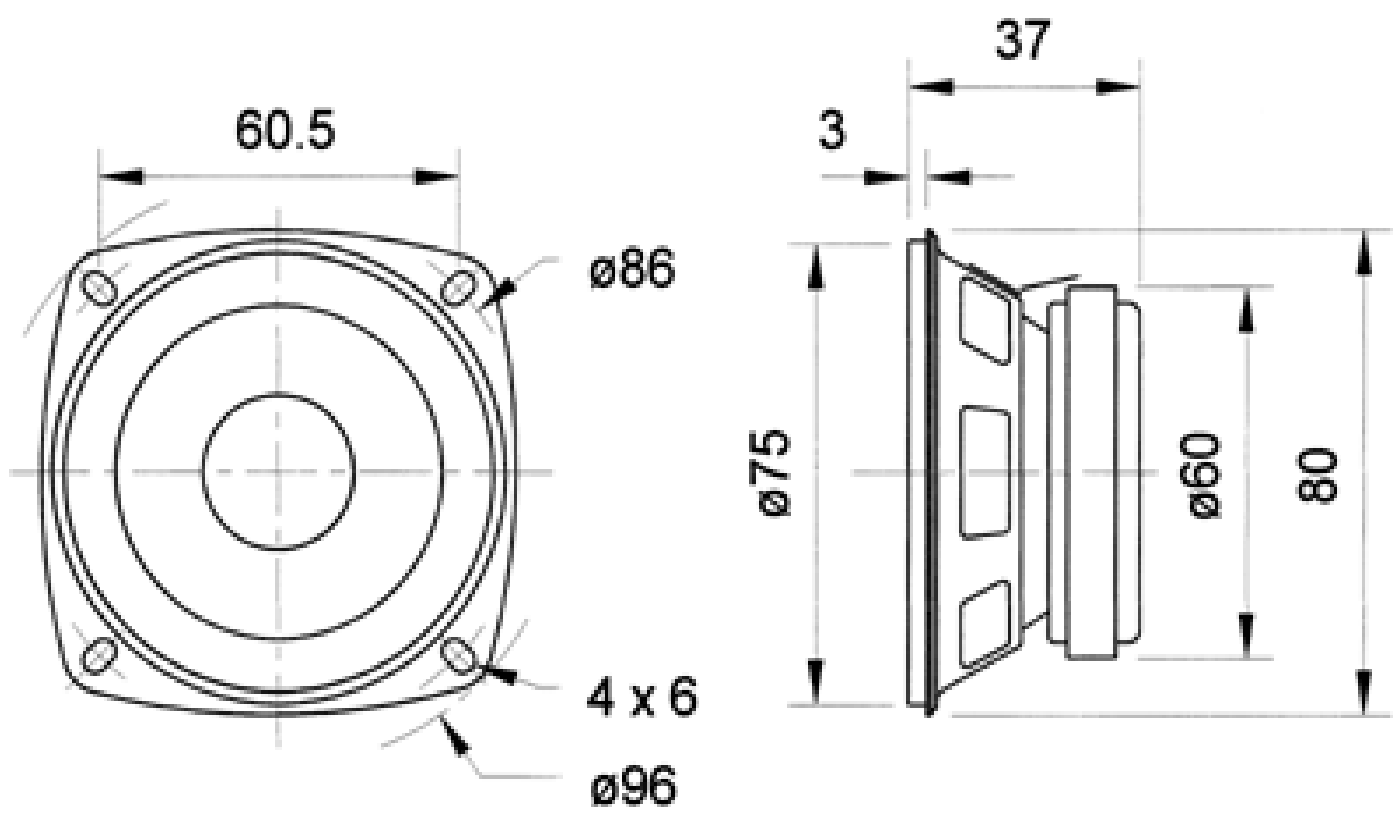
### Radiation Pattern at 5000 Hz



### Radiation Pattern at 10000 Hz



# Dimensions



## X-ON Electronics

Largest Supplier of Electrical and Electronic Components

*Click to view similar products for [visaton](#) manufacturer:*

Other Similar products are found below :

[1175](#) [1364](#) [2820](#) [2254](#) [3808](#) [3810](#) [4532](#) [4605](#) [50162](#) [3605](#) [3706](#) [4463](#) [4572](#) [4667](#) [4669](#) [4800](#) [50154](#) [50318](#) [5154](#) [2133](#) [DT 94 - 8 Ohm](#)  
[G 20 SC - 8 Ohm](#) [WS 20 E - 8 Ohm](#) [SC 13 - 8 Ohm](#) [Waveguide WG 220x150](#) [FR 16 WP - 4 Ohm \(white\)](#) [HW 3/130 NG - 8 Ohm](#) [W 170 S -](#)  
[8 Ohm](#) [K 34 WP - 8 ohm](#) [HX 10 - 4 Ohm](#) [DX 10 - 4 Ohm](#) [DL 13/2 T - 8 Ohm](#) [AL 200/8](#) [DSM 25 FFL/8](#) [6039](#) [MHT 12/8](#) [5718](#) [2091](#) [9022](#)  
[2040](#) [2060](#) [2239](#) [5152](#) [5413](#) [5414](#) [3601](#) [4503](#) [4506](#) [50261](#) [5157](#)