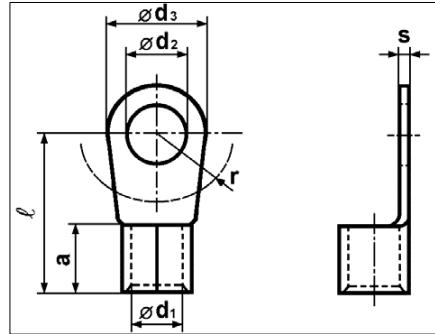


## Ringkabelschuhe ohne Isolation Uninsulated Ring Terminal



Material: E-Cu, galv. verzinkt  
(Material: E-CU, el.-tinned)  
Temperaturbeständig bis +125°C  
(Operating temperature, +125°C)

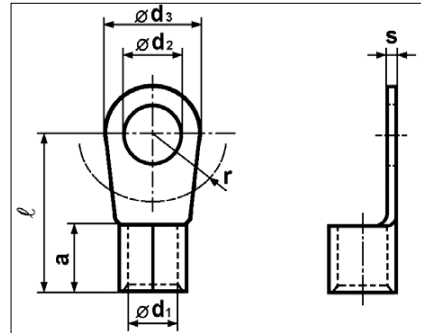


DIN 46234\*

Kabelquer- schnitt Wire mm (AWG)	Bolzen Stud	Bestell- bezeichnung Part No.	Nenn- größe Nominal Size DIN 46234	Maße in mm Dimensions in mm							VPE Qty/box
				Ø d <sub>2</sub>	Ø d <sub>3</sub>	r	l	a	Ø d <sub>1</sub>	s	
6,0-10 (8)	4	GS4-10		4,3	10,0	6,5	16,0	8,0	4,5	1,1	500
	5	GS5-10	5-10	5,3	10,0	6,5	16,0				
	6	GS6-10	6-10	6,5	11,0	7,5	17,0				
	8	GS8-10	8-10	8,4	14,0	10,0	20,0				
	10	GS10-10	10-10	10,5	18,0	12,0	21,0				
	12	GS12-10	12-10	13,0	22,0	13,0	23,0				250
10-16 (6)	5	GS5-16	5-16	5,3	11,0	7,5	20,0	10,0	5,8	1,2	200
	6	GS6-16	6-16	6,5	11,0	7,5	20,0				
	8	GS8-16	8-16	8,4	14,0	10,0	22,0				
	10	GS10-16	10-16	10,5	18,0	12,0	24,0				
	12	GS12-16	12-16	13,0	22,0	13,0	26,0				250
16-25 (4)	5	GS5-25	5-25	5,3	12,0	7,5	25,0	11,0	7,5	1,5	100
	6	GS6-25	6-25	6,5	12,0	7,5	25,0				
	6	GS6L-25		6,5	16,0	10,0	25,0				
	8	GS8-25	8-25	8,4	16,0	10,0	25,0				
	10	GS10-25	10-25	10,5	18,0	12,0	26,0				
	12	GS12-25	12-25	13,0	22,0	13,0	31,0				
25-35 (2)	6	GS6-35	6-35	6,5	15,0	10,0	26,0	12,0	9,0	1,6	100
	8	GS8-35	8-35	8,4	16,0	10,0	26,0			1,6	
	10	GS10-35	10-35	10,5	18,0	12,0	27,0			1,6	
	12	GS12-35	12-35	13,0	22,0	13,0	31,0			1,6	
	16	GS16-35	16-35	17,0	28,0	16,0	36,0			1,6	
	16	GS16L-35		17,0	30,0	18,0	37,5			1,8	
	20	GS20-35		21,0	30,0	18,0	37,5			1,8	
35-50 (1/0)	6	GS6-50	6-50	6,5	18,0	12,0	34,0	16,0	11,0	1,8	50
	8	GS8-50	8-50	8,4	18,0	12,0	34,0			1,8	
	10	GS10-50	10-50	10,5	18,0	12,0	34,0			1,8	
	12	GS12-50	12-50	13,0	22,0	13,0	36,0			1,8	
	16	GS16-50	16-50	17,0	28,0	16,0	40,0			1,8	
	20	GS20-50		21,0	32,0	18,0	41,5			2,0	
50-70 (2/0)	6	GS6-70	6-70	6,5	22,0	13,0	38,0	18,0	13,0	2,0	25
	8	GS8-70	8-70	8,4	22,0	13,0	38,0				
	10	GS10-70	10-70	10,5	22,0	13,0	38,0				
	12	GS12-70	12-70	13,0	22,0	13,0	38,0				
	16	GS16-70	16-70	17,0	28,0	16,0	42,0				
	16	GS16L-70		17,0	32,0	18,0	45,0				
	20	GS20-70		21,0	32,0	18,0	45,0				

\*in Anlehnung an genannte DIN-Norm  
(\*in the style of the specified DIN standard)

Material: E-Cu, galv. verzinkt  
(Material: E-CU, el.-tinned)  
Temperaturbeständig bis +125°C  
(Operating temperature, +125°C)



DIN 46234\*

Kabelquer- schnitt Wire mm (AWG)	Bolzen Stud	Bestell- bezeichnung Part No.	Nenn- größe Nominal Size DIN 46234	Maße in mm Dimensions in mm						VPE Qty./box	
				Ø d <sub>2</sub>	Ø d <sub>3</sub>	r	l	a	Ø d <sub>1</sub>		s
70-95 (3/0)	8	GS8-95	8-95	8,4	24,0	13,0	42,0	20,0	15,0	2,5	25
	10	GS10-95	10-95	10,5	24,0	13,0	42,0			2,5	
	10	GS10L-95		10,5	27,0	14,0	41,0			2,3	
	12	GS12-95	12-95	13,0	24,0	13,0	42,0			2,5	
	12	GS12L-95		13,0	27,0	14,0	41,0			2,3	
	16	GS16-95	16-95	17,0	28,0	16,0	44,0			2,5	
	16	GS16L-95		17,0	32,0	18,0	52,0			2,3	
20	GS20L-95		21,0	32,0	18,0	52,0	2,3				
95-120 (4/0)	8	GS8-120	8-120	8,4	24,0	13,0	44,0	22,0	16,5	3,0	25
	10	GS10-120	10-120	10,5	24,0	13,0	44,0			3,0	
	12	GS12-120	12-120	13,0	24,0	13,0	44,0			3,0	
	16	GS16-120	16-120	17,0	28,0	16,0	48,0			3,0	
	16	GS16S-120		17,0	32,0	20,0	53,0			2,6	
20	GS20-120		21,0	32,0	20,0	53,0	2,6				
120-150 (250- 300MCM)	10	GS10-150	10-150	10,5	30,0	16,0	50,0	24,0	19,0	3,2	25
	12	GS12-150	12-150	13,0	30,0	16,0	50,0	24,0			
	16	GS16-150	16-150	17,0	30,0	16,0	50,0	24,0			
	18	GS18-150		19,0	36,0	20,0	63,0	27,0			
20	GS20-150		21,0	36,0	20,0	63,0	27,0				
150-185 (300- 350MCM)	10	GS10-185	10-185	10,5	36,0	16,0	50,0	28,0	21,0	3,5	20
	12	GS12-185	12-185	13,0							
	16	GS16-185	16-185	17,0							
185-240 (350- 450MCM)	10	GS10-240	10-240	10,5	38,0	16,0	56,0	32,0	23,5	4,0	10
	12	GS12-240	12-240	13,0	38,0	16,0	56,0				
	12	GS12L-240		13,0	44,0	25,0	69,0				
	16	GS16-240	16-240	17,0	38,0	16,0	56,0				
	16	GS16L-240		17,0	44,0	25,0	69,0				
	22	GS22L-240		23,0	44,0	25,0	69,0				
240-300 (500- 600MCM)	10	GS10-300		10,5	50,0	16,0	69,0	35,0	27,5	4,5	5
	12	GS12-300		13,0	50,0	16,0	69,0	35,0			
	12	GS12L-300		13,0	50,5	30,0	80,5	35,5			
	16	GS16-300		17,0	50,0	16,0	69,0	35,0			
22	GS22L-300		23,0	50,5	30,0	80,5	35,5				

\*in Anlehnung an genannte DIN-Norm  
(\*in the style of the specified DIN)

standard)

8 Änderungen vorbehalten

J.S.T Deutschland GmbH Küferstraße 15 73650 Winterbach Tel.: 0049 (0)7181/4007-0 Fax: -21

## X-ON Electronics

Largest Supplier of Electrical and Electronic Components

*Click to view similar products for [Terminals](#) category:*

*Click to view products by [JST](#) manufacturer:*

Other Similar products are found below :

[HT-13-10](#) [71M-250-32-NB](#) [01-2065-1-0216](#) [00581P0075](#) [M10-10RX](#) [M10BCK](#) [60205-1](#) [604200-1](#) [60598-1-CUT-TAPE](#) [60617-1-C](#) [60873-1](#) [M14-516R/SK](#) [M14-6RSX](#) [M18-10FLX](#) [M18-8FBX](#) [M18-8R/LX](#) [M18BCK](#) [61314-6-C](#) [61-S](#) [61-SN-A](#) [62-NBM-A](#) [63-S](#) [640179-1](#) [640917-2-CUT-TAPE](#) [6501550002](#) [66107-2-C](#) [696683-1](#) [696834-1](#) [696861-1](#) [696931-1](#) [696999-1](#) [M8-516RK](#) [M86700006](#) [MA250DMFMX-A](#) [701-2007](#) [701-2307](#) [701-7761-03](#) [70F-110-32-PB](#) [718-N-A](#) [71M-187-20-NBL](#) [71M-250-32-NBL](#) [72F-187-20-NBL](#) [72M-250-32-NBL](#) [7310](#) [73F-250-32](#) [73F-250-32-NBL](#) [73F-250-32-NL](#) [F14-10C](#) [F-1M](#) [751-250](#)