

THIS DRAWING IS UNPUBLISHED. RELEASED FOR PUBLICATION  
 © COPYRIGHT BY TYCO ELECTRONICS CORPORATION. ALL RIGHTS RESERVED.

LOC		DIST		REVISIONS			
P	LTR	DESCRIPTION		DATE	DWN	APVD	
	A	ECO 05 003709		23MAR06	BSV	MS	

SPECIFICATIONS:  
 MAKE-BEFORE-BREAK

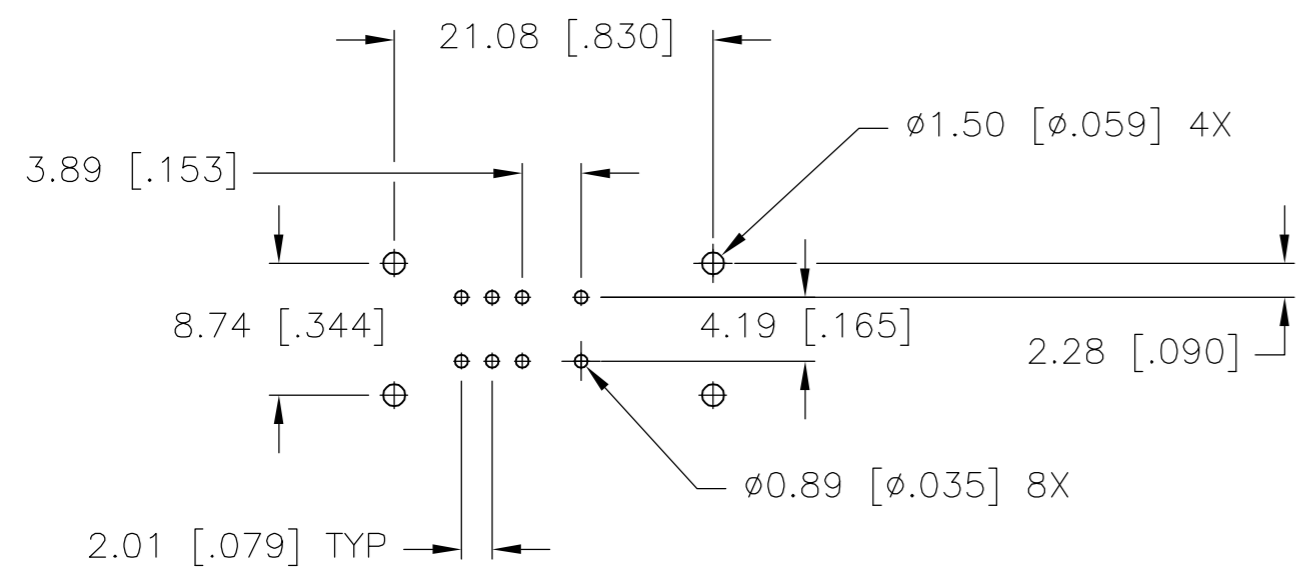
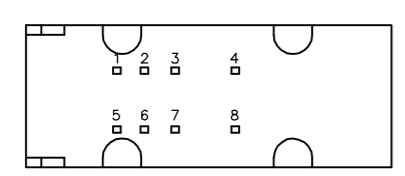
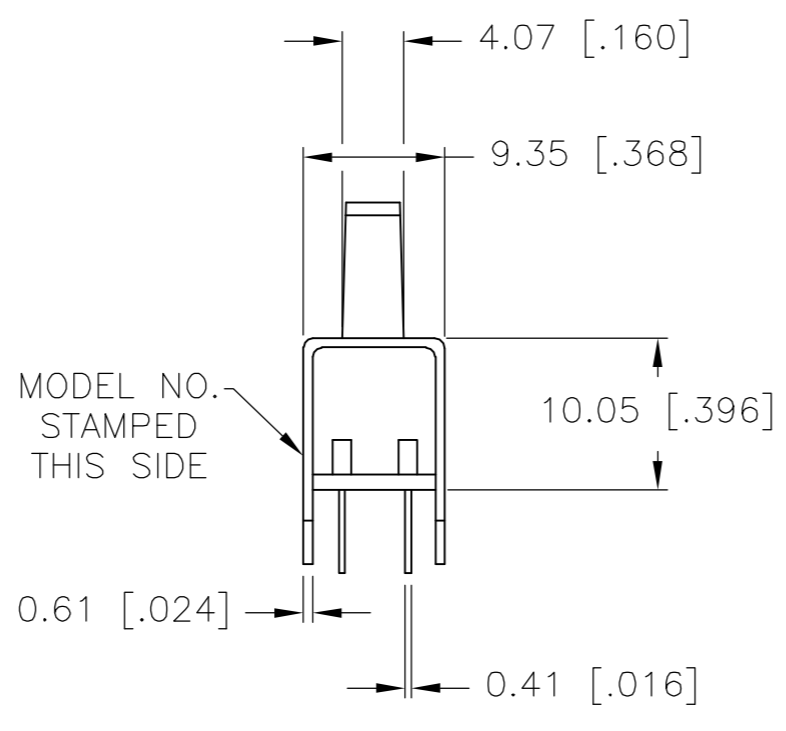
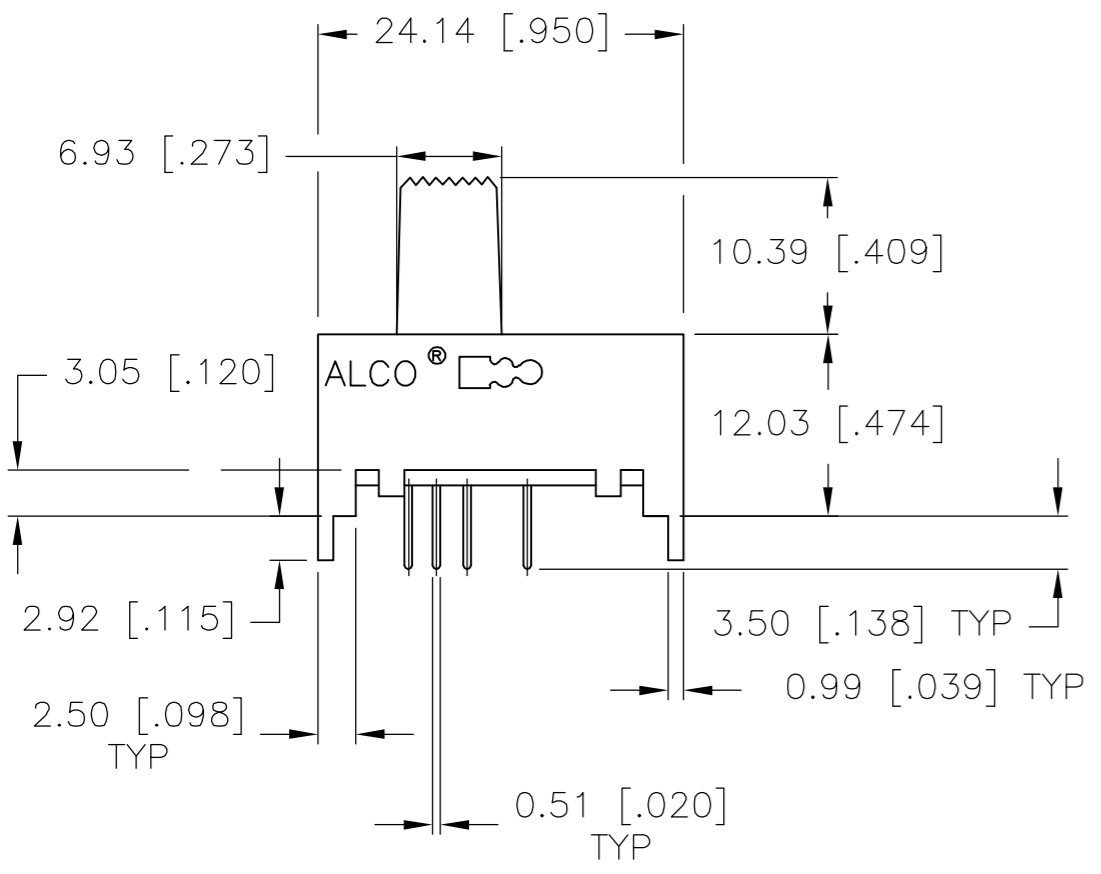
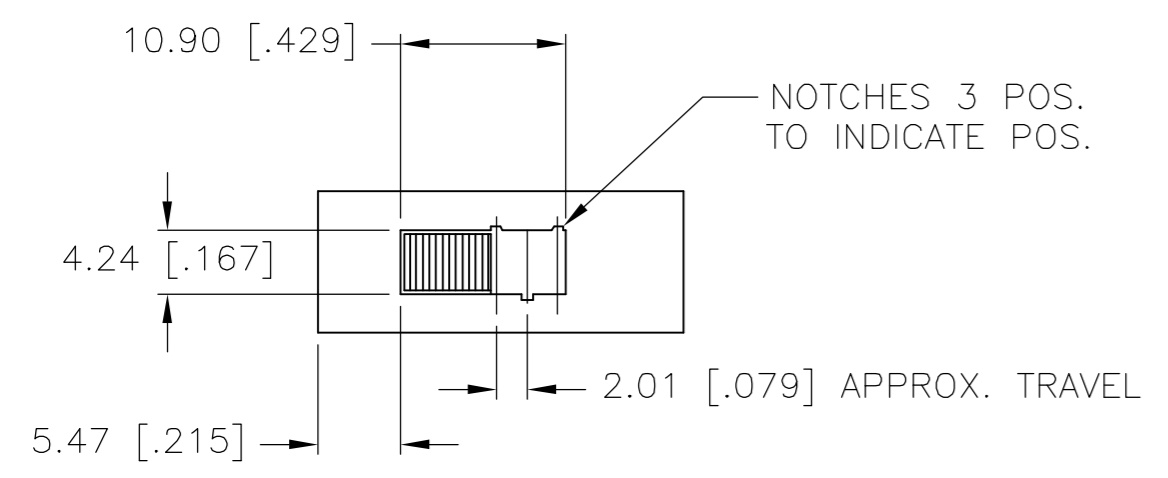
MATERIALS:  
 ACTUATOR - NYLON 66 UL94V-0, BLACK  
 FRAME - TIN PLATED STEEL  
 TERMINAL BOARD - PHENOLIC LAMINATE UL94HB, NATURAL  
 TERMINAL (SILVER) - COPPER ALLOY- SILVER OVER NICKEL PLATE  
 TERMINAL (GOLD) - COPPER ALLOY- TIN OVER NICKEL PLATE  
 FIXED CONTACT (SILVER) - COPPER ALLOY- SILVER OVER NICKEL PLATE  
 FIXED CONTACT (GOLD) - COPPER ALLOY-GOLD OVER NICKEL PLATE  
 MOVING CONTACT (SILVER) - COPPER ALLOY- SILVER OVER NICKEL PLATE  
 MOVING CONTACT (GOLD) - COPPER ALLOY-GOLD OVER NICKEL PLATE  
 DETENT BALL - STAINLESS STEEL  
 COIL SPRING - TEMPERED STEEL WIRE  
 SEAL - EPOXY

ELECTRICAL:  
 CONTACT RATING - .4VA@20VDC OR PEAK AC (GOLD)  
 300mA@125V AC (SILVER)  
 INITIAL CONTACT RESISTANCE - 30milliohm max.  
 FINAL CONTACT RESISTANCE - 100milliohm max> (AFTER TEST)  
 INSULATION RESISTANCE - 1,000Megohms min."  
 DIELECTRIC STRENGTH - 500V RMS@SEA LEVEL  
 LIFE EXPECTANCY - 15,000 CYCLES MIN."

MECHANICAL:  
 ACTUATION FORCE - 600±300 GRAMS  
 TRAVEL - 2.00±0.51[.079±.020]

ENVIRONMENTAL:  
 OPERATING TEMPERATURE - -20 TO +85 DEGREES C  
 STORAGE TEMPERATURE - -40 TO +100 DEGREES C  
 RESISTANCE TO SOLDER HEAT PER 109-202, CONDITION B  
 SOLDERABILITY PER EIA- 364-52, CLASS 2, CATEGORY 1, 95% MIN COVERAGE

NOTES:  
 1. ALL MATERIALS AND FINISHES SHALL COMPLY WITH EU DIRECTIVE 2002 95/EC OF 27JAN2003 (ROHS).  
 2. ANTI SOLDER WICK SEAL AT TERMINAL TO BOARD INTERFACE.



RECOMMENDED HOLE LAYOUT  
 TOLERANCE ±.002 UNLESS OTHERWISE NOTED

1,3&5,7	2,3&6,7	3,4&7,8	DP3T	GOLD	MSSA2350G04	1825198-2
1,3&5,7	2,3&6,7	3,4&7,8	DP3T	SILVER	MSSA235004	1825198-1
			TYPE	CONTACT PLATING	ALCO P/N	TYCO P/N
LEFT CENTER RIGHT			ACTUATOR POSITION			

THIS DRAWING IS A CONTROLLED DOCUMENT.		DWN	20JUN96	<b>tyco</b> Tyco Electronics Corporation	
DIMENSIONS: mm [INCHES]		TRU-D		Harrisburg, PA 17105-3608	
TOLERANCES UNLESS OTHERWISE SPECIFIED:		CHK		<b>PRELIMINARY</b>	
0 PLC	± -	APVD		SLIDE SWITCH (MSSA-2350)	
1 PLC	± -	PRODUCT SPEC		SIZE	CAGE CODE
2 PLC	± 0.25[.010]	APPLICATION SPEC		A2	00779
3 PLC	± -			DRAWING NO	RESTRICTED TO
4 PLC	± -			C=1825198	-
ANGLES	± -	WEIGHT	-	SCALE	SHEET
FINISH		CUSTOMER DRAWING		2:1	1 of 1
SEE SPECIFICATIONS	SEE SPECIFICATIONS			REV	A

## X-ON Electronics

Largest Supplier of Electrical and Electronic Components

*Click to view similar products for [Slide Switches](#) category:*

*Click to view products by [TE Connectivity](#) manufacturer:*

Other Similar products are found below :

[6-1437581-1](#) [M43R](#) [MHS123K15D](#) [MHSS1104A](#) [MMD](#) [GH49S010001](#) [GH49WW00001](#) [1437576-8](#) [EPS1PC1](#) [1825074-1](#) [1825160-3](#)  
[1825167-2](#) [25139NLDB](#) [25436NLDB](#) [25449NAH](#) [25536NA](#) [L101011ML04B](#) [SLB1240R45](#) [SLSA12004](#) [1825078-1](#) [1825080-4](#) [1825081-1](#)  
[1825269-1](#) [1825270-2](#) [STS141RA04](#) [T2215BEN506](#) [GF-124-0204](#) [GH46P000001](#) [GH46W000001](#) [GH49P010001](#) [25339NA](#) [25436NLDH](#)  
[CST91246FK](#) [TG36P000000](#) [TG36P000050](#) [47227LFE](#) [49331L](#) [MHSS1105A](#) [50208L](#) [HW4S-5LF22N3](#) [L202091MS02Q](#) [4-1437581-7](#)  
[X2225CR-437W](#) [48BFSP3M2QT](#) [49329L](#) [1101M1S3ZB8E2](#) [1-1437581-1](#) [EG1218REDACTUATOR](#) [TG39W000000](#) [1825075-1](#)