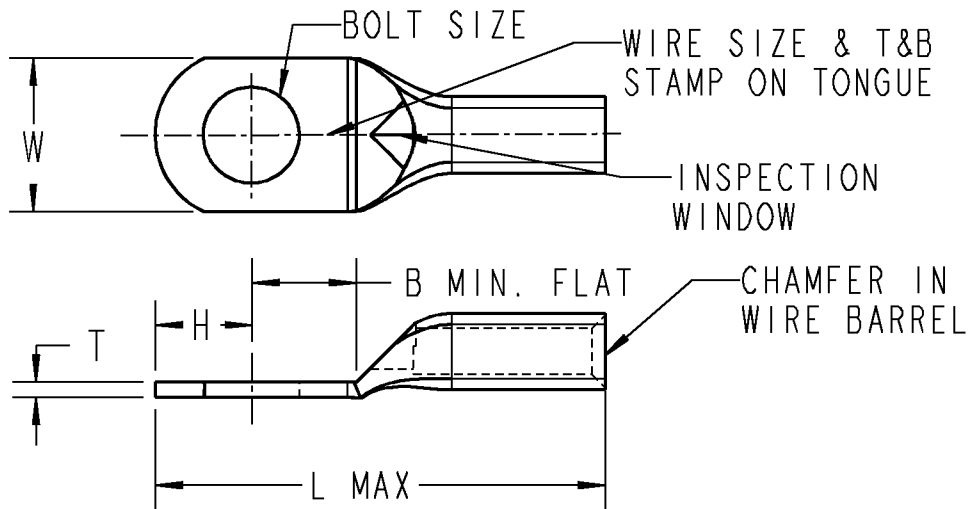




# T&B Sta-Kon



THIS DRAWING REPLACES PREVIOUS SALES DRAWING BS53413



(MEETS & EXCEEDS REQUIREMENTS OF MIL-T-7928F)

T&B CAT. NO	MS NO.	WIRE SIZE	BOLT SIZE	L	W	H	B	T	S
D-10161	MS-20659-140	AN8	8	1.15	.41	.20	.28	.08	13/32
D-10361	MS-20659-107	8 AWG	10	1.15	.41	.20	.24	.08	
D-10711	MS-20659-141		1/4	1.20	.45	.23	.27	.07	
D-10721	MS-20659-108	14-23	5/16	1.26	.56	.28	.34	.06	
D-10731	MS-20659-129	NAVY	3/8	1.28	.56	.28	.34	.06	
E-10261	MS-20659-130	AN6	10	1.30	.49	.24	.28	.07	15/32
E-10711	MS-20659-109	6 AWG	1/4	1.30	.49	.24	.28	.07	
E-10721	MS-20659-131	23-30	5/16	1.41	.60	.30	.34	.06	
E-10731	MS-20659-110	NAVY	3/8	1.41	.60	.30	.34	.06	
F-10261	MS-20659-144	AN4	10	1.37	.55	.27	.30	.08	1/2
F-10711	MS-20659-111	4 AWG	1/4	1.37	.55	.27	.30	.08	
F-10721	MS-20659-132	40-50	5/16	1.45	.62	.31	.34	.08	
F-10731	MS-20659-112	NAVY	3/8	1.42	.62	.31	.34	.08	

### GENERAL NOTES

- ALL DIMENSIONS ARE FOR REFERENCE ONLY.
- DIMENSIONS IN BRACKETS [ ] ARE IN METRIC UNITS.

### REVISIONS

SEE ERN ( 2005618 ) FOR APPROVAL SIGNATURES & RELEASE DATE.  
PROJECT NO: TM401323

**Thomas & Betts**  
www.tnb.com

DESCRIPTION: **UNINSULATED STA-KON TERMINALS CONFORMING TO MS-20659 FOR 8 , 6 & 4 WIRE**

ORIGINAL PROJECT NO / ( ERN NO )

**TM401323 / ( 2005618 )**

SHEET NO:

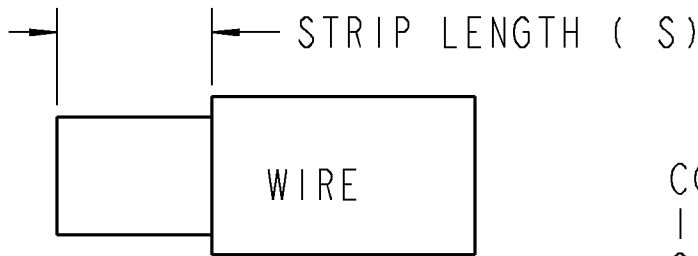
**1 OF 2**

REV. NO:

**-**

DRAWING NO:

**WSD-000168**

**T&B****Sta-Kon****COMMERCIAL APPLICATION:**

1. TBM6 & DIES
2. WT-115A
3. 13400 & DIES
4. POWER TOOL 13642M & DIES

MATERIAL : COPPER (HIGH CONDUCTIVITY)

FINISH: ELECTRO-TIN PLATE( MIL-T-10727)

CATALOG NO. WITH NP SUFFIX: NICKEL PLATING

CATALOG NO. WITH SP SUFFIX: SILVER PLATING

**INSTALLING TOOLS:****CLASS 1**

1-AN-3427-TOOL

2-MS-25441-1 TOOL WITH DIES:T&amp;B TOOL#13642M T&amp;B DIE CAT

MS-90485-8 DIE FOR WIRE SIZE AN-8 11781M

MS-90485-6 DIE FOR WIRE SIZE AN-6 11782M

MS-90485-4 DIE FOR WIRE SIZE AN-4 11783M

**CLASS 2**

1-TBM6 TOOL

T&amp;B CAT. NO. 11803 &amp; DIES FOR WIRE SIZE AN-6 &amp; AN-8

T&amp;B CAT. NO. 11805 &amp; DIES FOR WIRE SIZE AN-4

2-13642M TOOL -12 TON HEAD ( MS-25441-1 )

T&amp;B CAT. NO. 13651 &amp; 13650 DIES FOR WIRE SIZE AN-8

T&amp;B CAT. NO. 13652 &amp; 13650 DIES FOR WIRE SIZE AN-6

T&amp;B CAT. NO. 13653 &amp; 13650 DIES FOR WIRE SIZE AN-4

**GENERAL NOTES**

1. ALL DIMENSIONS ARE FOR REFERENCE ONLY.
2. DIMENSIONS IN BRACKETS [ ] ARE IN METRIC UNITS.

**REVISIONS**

- |   |   |
|---|---|
| - | SEE ERN ( 2005618 ) FOR APPROVAL SIGNATURES & RELEASE DATE.<br>PROJECT NO: TM401323 |
|---|---|

**Thomas & Betts**  
www.tnb.com**DESCRIPTION: UNINSULATED STA-KON TERMINALS CONFORMING TO MS-20659 FOR 8 ,6 & 4 WIRE**

ORIGINAL PROJECT NO / ( ERN NO )

TM401323 / ( 2005618 )

SHEET NO:

2 OF 2

REV. NO:

-

DRAWING NO:

WSD-000168

## X-ON Electronics

Largest Supplier of Electrical and Electronic Components

*Click to view similar products for [abb](#) manufacturer:*

Other Similar products are found below :

[TV10-516R](#) [017667013](#) [RF727](#) [2CMA100178R1000](#) [5SDD 92Z0401](#) [ESV14-BS](#) [EZS-21-250](#) [F204AC-40/0.03](#) [F362-25/0.03](#)

[GJL1211001R0011](#) [GJL1211201R8000](#) [GJL1211501R8000](#) [GJL1213001R0017](#) [GJL1213001R0101](#) [GJL1311001R0101](#) [GJL1311001R8010](#)

[GJL1311201R0001](#) [GJL1313001R0011](#) [GJL1313001R0101](#) [GJL1317201R0001](#) [A40-30-10-84](#) [AF09-30-01-11](#) [AF460-30-11-68](#) [1455](#) [B14-](#)

[250](#) [EF45-30](#) [ERG297](#) [HSC2-20](#) [1SAM201904R1001](#) [1SAM350000R1003](#) [1SAZ721201R1009](#) [1SAZ721201R1014](#) [1SAZ721201R1025](#)

[1SDA057197R1](#) [1SFA611101R1002](#) [1SFA611130R1103](#) [1SFA611131R1101](#) [1SFA611143R1101](#) [1SFA611202R1108](#) [1SFA611203R1108](#)

[1SFA611215R1001](#) [1SFA611216R1108](#) [1SFA611285R1002](#) [1SFA611702R6006](#) [1SFA616162R1025](#) [1SFA619100R3015](#)

[1SVR730020R0200](#) [IPC4111](#) [OS30FACC12](#) [OS60GJ03](#)