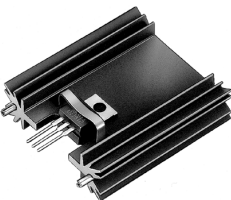
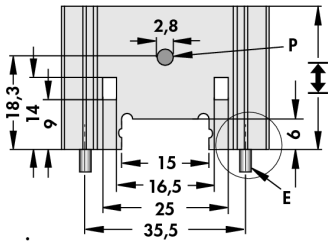
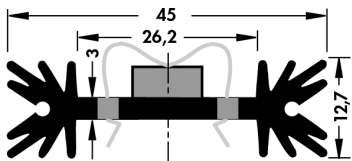
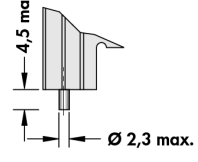
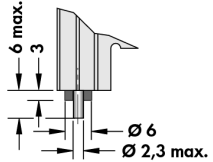
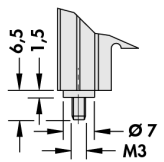



## Extruded heatsinks for PCB mounting

for semiconductor clip-mounting


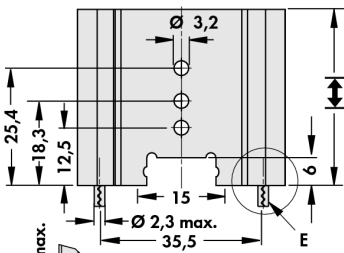
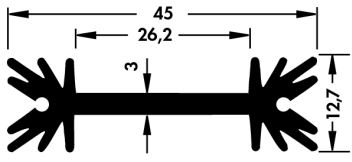
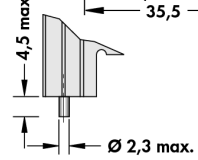
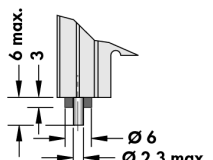
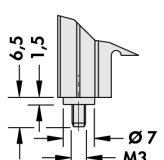

|   |  |  |   |  |
|---|--|--|---|--|
|    |                 |  |                  |  |
|   |  <p>... STC</p> |  <p>... STIC</p> |  <p>... STCB</p> |  |
| <b>art. no.</b>   |                 | ↔ [mm]   | $R_{th}$ [K/W]  |  |
| <b>SK 409 25,4 ...</b>  | TO 220/ TO 3 P   | 25.4   | 8.2   |  |
| <b>SK 409 38,1 ...</b>  | TO 220/ TO 3 P   | 38.1   | 7.0   |  |
| <b>SK 409 50,8 ...</b>  | TO 220/ TO 3 P   | 50.8   | 6.2   |  |
| <b>SK 409 63,5 ...</b>  | TO 220/ TO 3 P   | 63.5   | 5.6   |  |
| <p><b>please indicate:</b></p> <p>... <b>mounting method</b><br/> <b>STC</b> =with solder pins<br/> <b>STIC</b> =with solder pins and insulating washer<br/> <b>STCB</b>=with threaded bolts M 3, brass</p> |  |  |   |  |

**P** = raised retaining stud, **E** = mounting method

special lengths and transistor drillings on request

**surface treatment:** black anodised

for semiconductor screw-mounting

|   |  |  |   |  |
|---|--|--|---|--|
|    |                 |  |                  |  |
|   |  <p>... STS</p> |  <p>... STIS</p> |  <p>... STSB</p> |  |
| <b>art. no.</b>   |                 | ↔ [mm]   | $R_{th}$ [K/W]  |  |
| <b>SK 409 25,4 ...</b>  | TO 220/ TO 3 P   | 25.4   | 8.2   |  |
| <b>SK 409 38,1 ...</b>  | TO 220/ TO 3 P   | 38.1   | 7.0   |  |
| <b>SK 409 50,8 ...</b>  | TO 220/ TO 3 P   | 50.8   | 6.2   |  |
| <b>SK 409 63,5 ...</b>  | TO 220/ TO 3 P   | 63.5   | 5.6   |  |
| <p><b>please indicate:</b></p> <p>... <b>mounting method</b><br/> <b>STS</b> =with solder pins<br/> <b>STIS</b> =with solder pins and insulating washer<br/> <b>STSB</b>=with threaded bolts M 3, brass</p> |  |  |   |  |

**E** = mounting method

special lengths and transistor drillings on request

**surface treatment:** black anodised

Heatsinks with threaded rail  
 Profiles for PCB components  
 Retaining springs for transistors  
 Order example

→ A 90  
 → A 89  
 → A 111 - 116  
 → A 21

Attachable heatsinks for TO-cases  
 Mounting for TO 3 angle  
 Silicone wafers  
 Mica wafers

→ A 91  
 → A 121  
 → E 2 - 4  
 → E 11

**A 96**

A

B

C

D

E

F

G

H

I

K

L

M

N

## X-ON Electronics

Largest Supplier of Electrical and Electronic Components

*Click to view similar products for [Heat Sinks](#) category:*

*Click to view products by [Fisher](#) manufacturer:*

Other Similar products are found below :

[581102B00000G](#) [630-35ABT3](#) [656-15ABPE](#) [657-20ABPNE](#) [7020B-TC12-MTG](#) [73452PPBA](#) [7721-13NG](#) [7G0011A](#) [FI306/SE](#) [PF720G](#)  
[A22-4026](#) [120-1873-007](#) [HAH10L](#) [HF20](#) [1542256-2](#) [1542026-1](#) [1542616-1](#) [HS-2506-F1](#) [HS-87M0-F2](#) [218-40CTE3](#) [25-7520](#)  
[188854F00000G](#) [F-QB-F1](#) [APA501-60-003](#) [253-122ABE-22](#) [PSC22CB](#) [CLP-201](#) [CLP212SG](#) [CLP-7701G](#) [HAA072](#) [HAA083](#) [HAF10L](#)  
[HAQ10T](#) [D10100-28](#) [TO5-002D](#) [513101B02500G](#) [BDN183CBA01](#) [531202B0000](#) [HS-56M0-C1](#) [3-21053-4](#) [TX0506-1B](#) [TX1806B](#)  
[336614B-00000](#) [V2004X](#) [LAE66A3CB](#) [WA-DT2-101E](#) [511-3U](#) [017177](#) [530510B00000G](#) [6110BG](#)