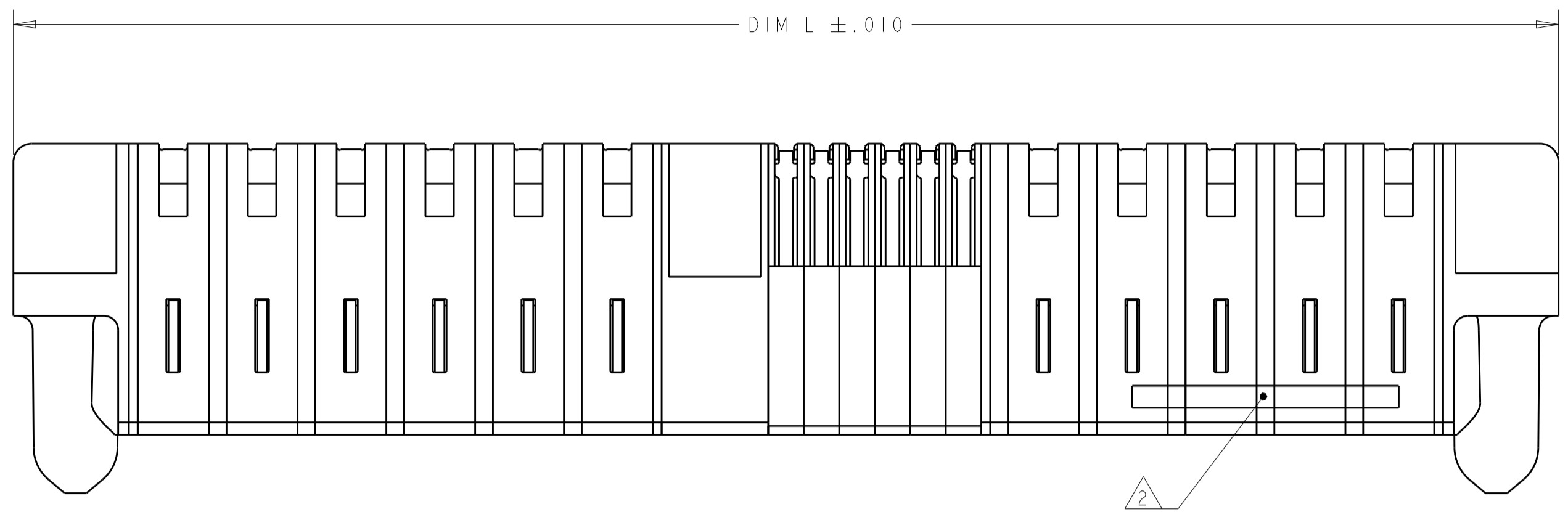
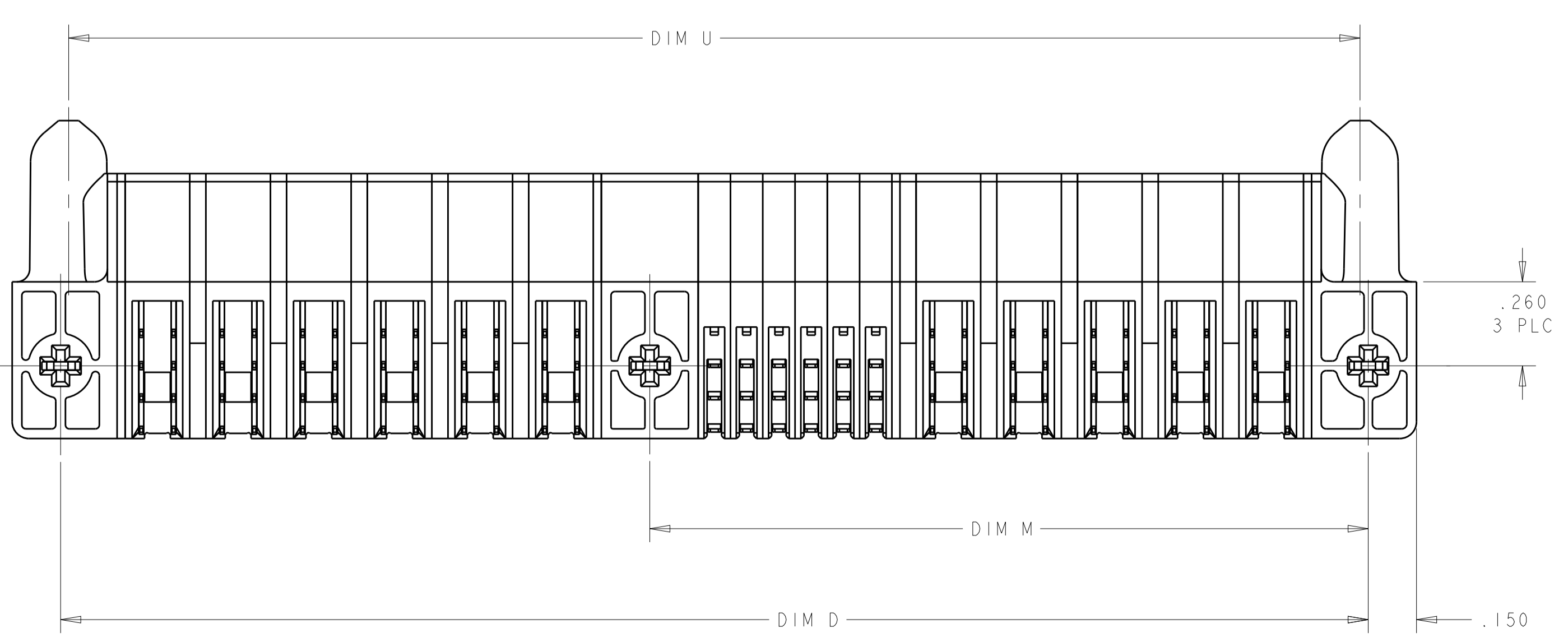
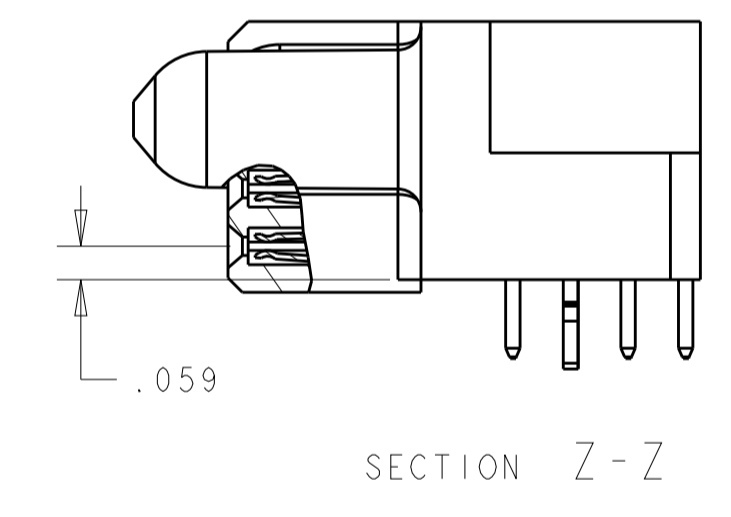
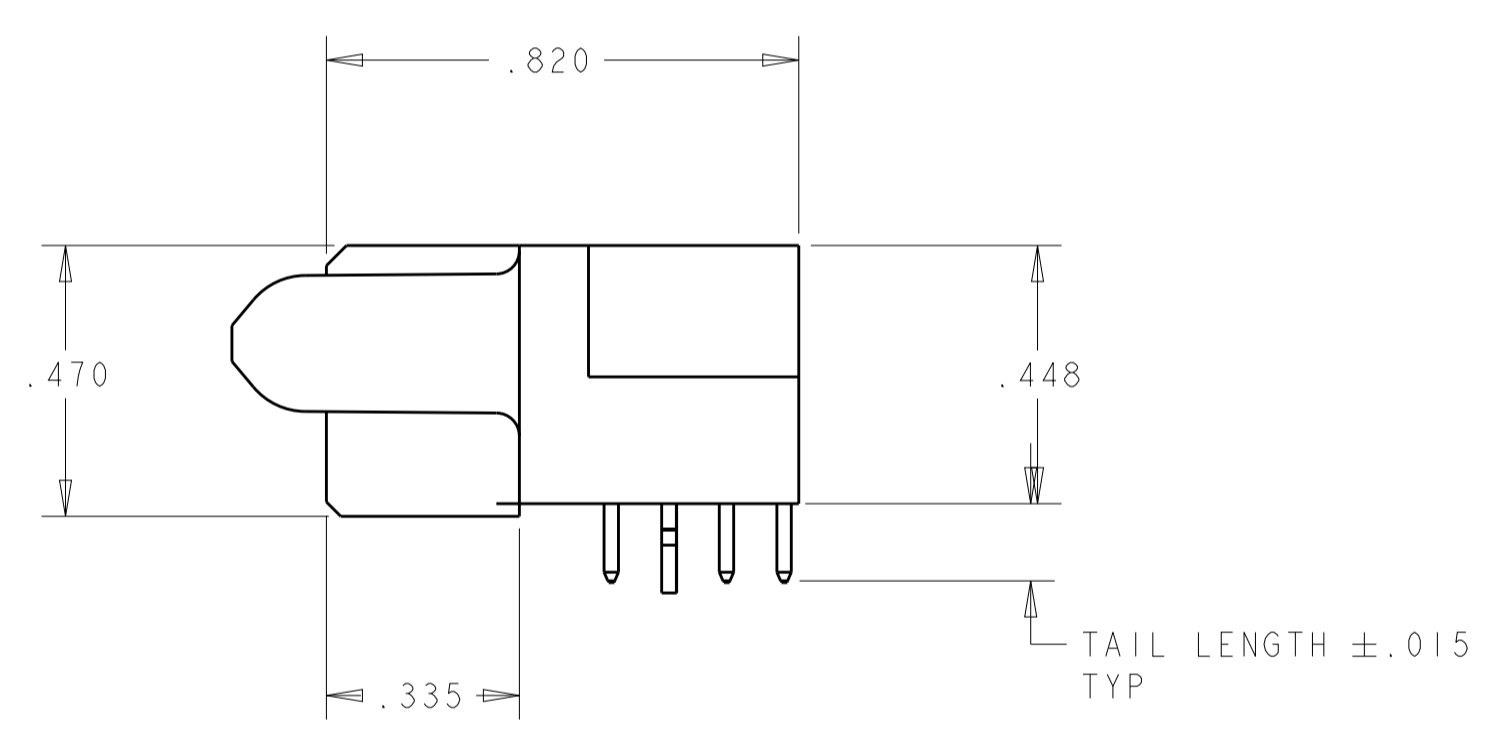
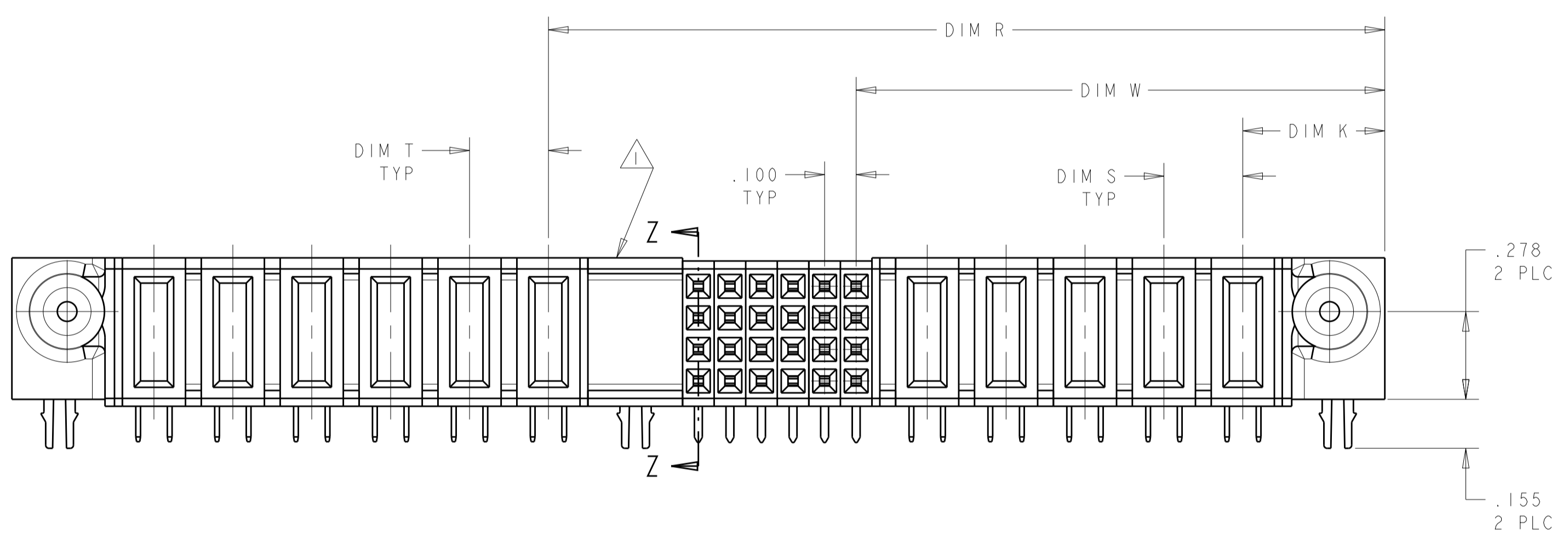


LOC	DIST	REVISIONS			
		REV	DATE	BY	CHKD
GP	00	G	19JAN2015	LAW	CZ



- 1 OPTIONAL CENTER MODULE, WITH  $\varnothing .150$  THRU HOLE OR HOLD DOWN FEATURE.
- 2 "AMP", PART NUMBER, AND DATE CODE TO BE MARKED IN AREA SHOWN.
- 3 MATERIAL: HOUSING - GLASS FILLED HIGH TEMP THERMO PLASTIC, BLACK, UL94 V-0  
SIGNAL CONTACT - HIGH CONDUCTIVITY COPPER ALLOY  
POWER CONTACT - HIGH CONDUCTIVITY COPPER ALLOY
- 4 CONTACT PLATING: NOBLE PLATING ON CONTACT FUNCTIONAL AREA OF POWER AND SIGNAL CONTACTS
- 5 MECHANICAL CONNECTOR KEEP OUT ZONE.
- 6 DATUM AND BASIC DIMENSIONS ESTABLISHED BY CUSTOMER.
- 7 PCB- ALL HOLE DIAMETERS ARE FINISHED DIMENSIONS.
- 8 PCB-  $\varnothing .0453 \pm .0010$  DRILLED HOLES PLATED WITH  $.0003$  MIN Sn OVER  $.001-.003$  CU PLATING TO ACHIEVE A  $\varnothing .040 \pm .003$  HOLE.




THIS DRAWING IS A CONTROLLED DOCUMENT.		OWN R. GRZYBOWSKI	ZIFB05	TE Connectivity
DIMENSIONS: INCHES		CHK M. PERCHERKE	ZIFB05	
TOLERANCES UNLESS OTHERWISE SPECIFIED:		APVD M. PERCHERKE	ZIFB05	NAME RIGHT ANGLE RECEPTACLE ASSEMBLY WITH GUIDES MULTI-BEAM XL
0 PLC ±		PRODUCT SPEC		SIZE 108-1973
1 PLC ±.01		APPLICATION SPEC		RESTRICTED TO
2 PLC ±.005		WEIGHT		A100779
3 PLC ±.002		SCALE	3:1	SHEET 1 OF 16
ANGLES ±.2°		Customer Drawing		REV G1

LOC	DIST	REVISIONS					
		P	LTN	DESCRIPTION	DATE	DWN	APVD
GP	00	-	-	SEE SHEET 1	-	-	-

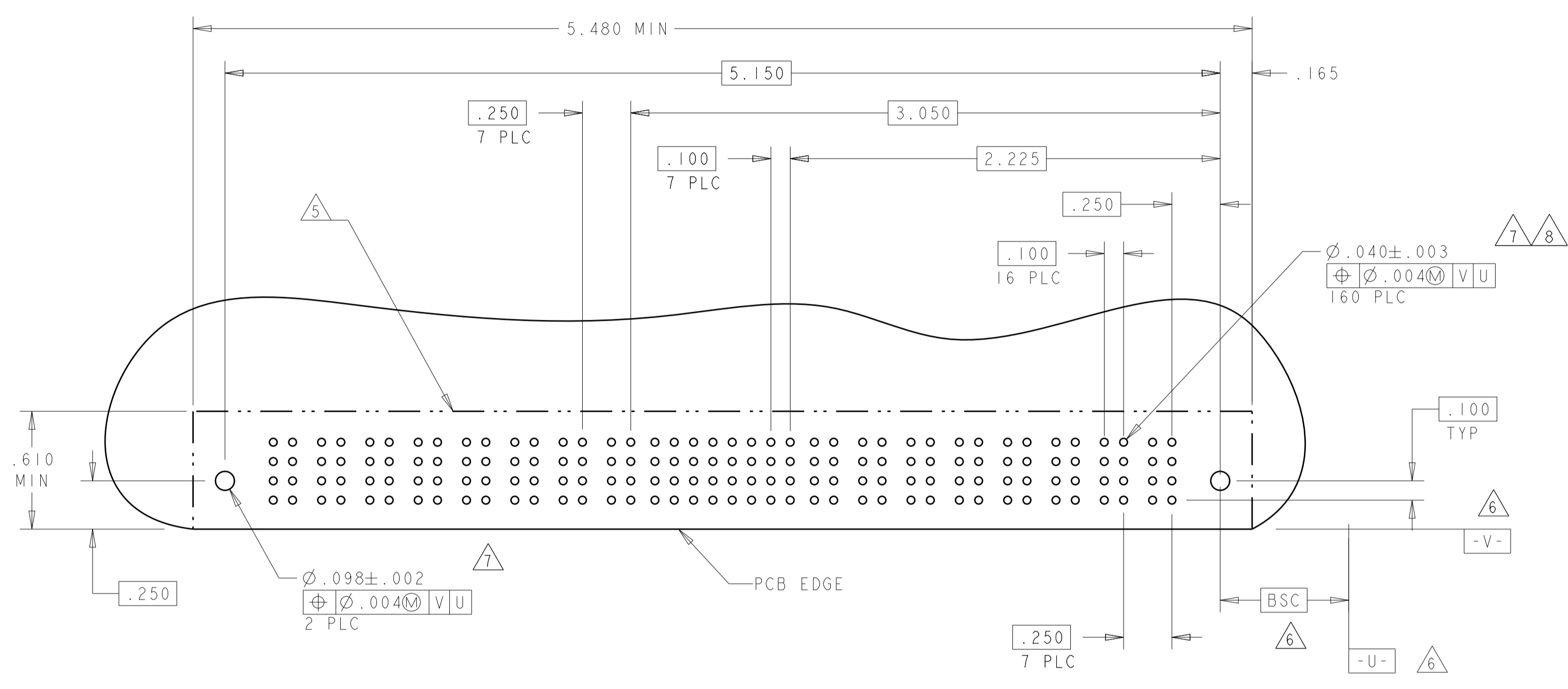
.700	-	-	-	.375	.750	-	1.050	-	16S	4-6450160-9
2.700	-	.200	2.600	1.425	2.750	-	3.050	.450	5P + 44S + 1P	4-6450160-8
4.000	-	-	-	.375	4.050	-	4.350	-	148S	4-6450160-6
2.000	.250	.250	1.650	.925	2.050	-	2.350	.450	2P + 24S + 2P	4-6450160-5
2.800	-	-	-	0.375	2.850	-	3.150	-	100S	4-6450160-4
1.100	-	-	1.000	.625	1.150	-	1.450	.450	1P + 12S + 1P	4-6450160-1
2.400	.250	.250	1.550	.875	2.450	-	2.750	.450	2P + 24S + 4P	4-6450160-0
4.700	.250	.250	2.850	2.375	4.750	-	5.050	.450	8P + 16S + 8P	3-6450160-9
5.400	.300	.300	2.875	2.175	5.450	-	5.750	.475	6P + 24S + 9P	3-6450160-8
2.900	.250	.250	2.050	1.375	2.950	-	3.250	.450	4P + 24S + 4P	3-6450160-7
3.900	.250	.250	2.550	1.875	3.950	-	4.250	.450	6P + 24S + 6P	3-6450160-6
3.800	.250	.250	3.450	.875	3.850	-	4.150	.450	2P + 100S + 2P	3-6450160-4
3.700	.300	.200	2.700	2.025	3.750	-	4.050	.450	8P+24S+4ACP	3-6450160-3
2.800	.300	.250	2.075	1.375	2.850	-	3.150	.450	4P + 24S + 3ACP	3-6450160-2
1.700	.250	.250	1.350	.875	1.750	-	2.050	.450	2P + 16S + 2P	3-6450160-1
4.375	.300	.250	3.375	2.375	4.450	2.950	4.725	.450	8P+24S+1M+4ACP	3-6450160-0
4.100	.250	.300	2.250	1.575	4.150	-	4.450	.475	4ACP + 24S + 8P	2-6450160-9
2.000	.250	.300	1.650	1.325	2.050	-	2.350	.475	3ACP + 8S + 2P	2-6450160-7
2.600	.200	.200	1.900	1.225	2.650	-	2.950	.450	4HDP + 24S + 4HDP	2-6450160-6
2.000	.250	.250	1.650	.925	2.050	-	2.350	.450	2P + 24S + 2P	2-6450160-5
4.000	.250	.250	2.650	1.675	4.050	2.225	4.350	.450	5P + 24S + 1M + 6P	2-6450160-0
3.300	.250	.250	2.450	1.875	3.350	-	3.650	.450	6P + 20S + 4P	1-6450160-9
4.675	.300	.250	3.950	3.375	4.725	-	5.025	.450	12P + 20S + 3ACP	1-6450160-8
3.250	.250	.250	2.900	1.125	3.300	-	3.600	.450	3P + 68S + 2P	1-6450160-3
.900	-	-	-	.375	.950	-	1.250	-	0P + 24S + 0P	1-6450160-2
1.900	-	-	.975	.625	1.950	-	2.250	.450	1P + 12S + 5P	1-6450160-1
1.900	.250	.250	1.550	.875	1.950	-	2.250	.450	2P + 24S + 2P	1-6450160-0
3.300	.250	.250	2.450	1.875	3.350	-	3.650	.450	6P + 20S + 4P	6450160-9
2.400	.250	.250	1.800	1.125	2.450	-	2.750	.450	3P + 24S + 3P	6450160-8
3.050	.250	.300	1.950	1.275	3.100	-	3.400	.475	3ACP + 24S + 5P	6450160-7
7.400	.250	.250	5.050	2.875	7.450	-	7.750	.450	10P + 84S + 10P	6450160-6
4.000	.250	.250	2.650	1.675	4.050	2.225	4.350	.450	5P + 24S + 1M + 6P	6450160-5
4.000	.250	.250	2.650	1.675	4.050	2.225	4.350	.450	5P + 24S + 1M + 6P	6450160-4
1.575	-	-	1.425	.700	1.625	-	1.925	.475	1P + 24S + 1P	6450160-3
1.575	-	-	1.425	.700	1.625	-	1.925	.475	1P + 24S + 1P	6450160-2
5.100	.250	.250	3.250	2.375	5.150	-	5.450	.450	8P + 32S + 8P	6450160-1
U	T	S	R	W	D	M	L	K	DESCRIPTION	PART NUMBER

(E6) PART IS IN SHEET 15

THIS DRAWING IS A CONTROLLED DOCUMENT.		DWN R. GRZYBOWSKI ZIFB05	 TE Connectivity RIGHT ANGLE RECEPTACLE ASSEMBLY WITH GUIDES MULTI-BEAM XL
DIMENSIONS: INCHES		CHK M. PERCHERKE ZIFB05	
TOLERANCES UNLESS OTHERWISE SPECIFIED:		APVD M. PERCHERKE ZIFB05	NAME
0 PLC ±	1 PLC ±.01	PRODUCT SPEC	108-1973
3 PLC ±.005	4 PLC ±.002	APPLICATION SPEC	114-13038
ANGLES ±.02	FINISH	WEIGHT	Customer Drawing
MATERIAL		RESTRICTED TO	A100779C=6450160
SCALE 3:1		SHEET 2 OF 16	REV G

LOC		DIST		REVISONS			
GP	00	P	LTN	DESCRIPTION	DATE	DWN	APVD
		-		SEE SHEET 1			

PART NUMBER	ROWS	POWER							SIGNAL							POWER													
		P16	P15	P14	P13	P12	P11	P10	P9	8	7	6	5	4	3	2	1	P8	P7	P6	P5	P4	P3	P2	P1				
6450160-1	D C B A	RA	RA	RA	RA	RA	RA	RA	H	H	H	H	H	H	H	H	RA	RA	RA	RA	RA	RA	RA	RA					
		9' + 36S + 8P																											

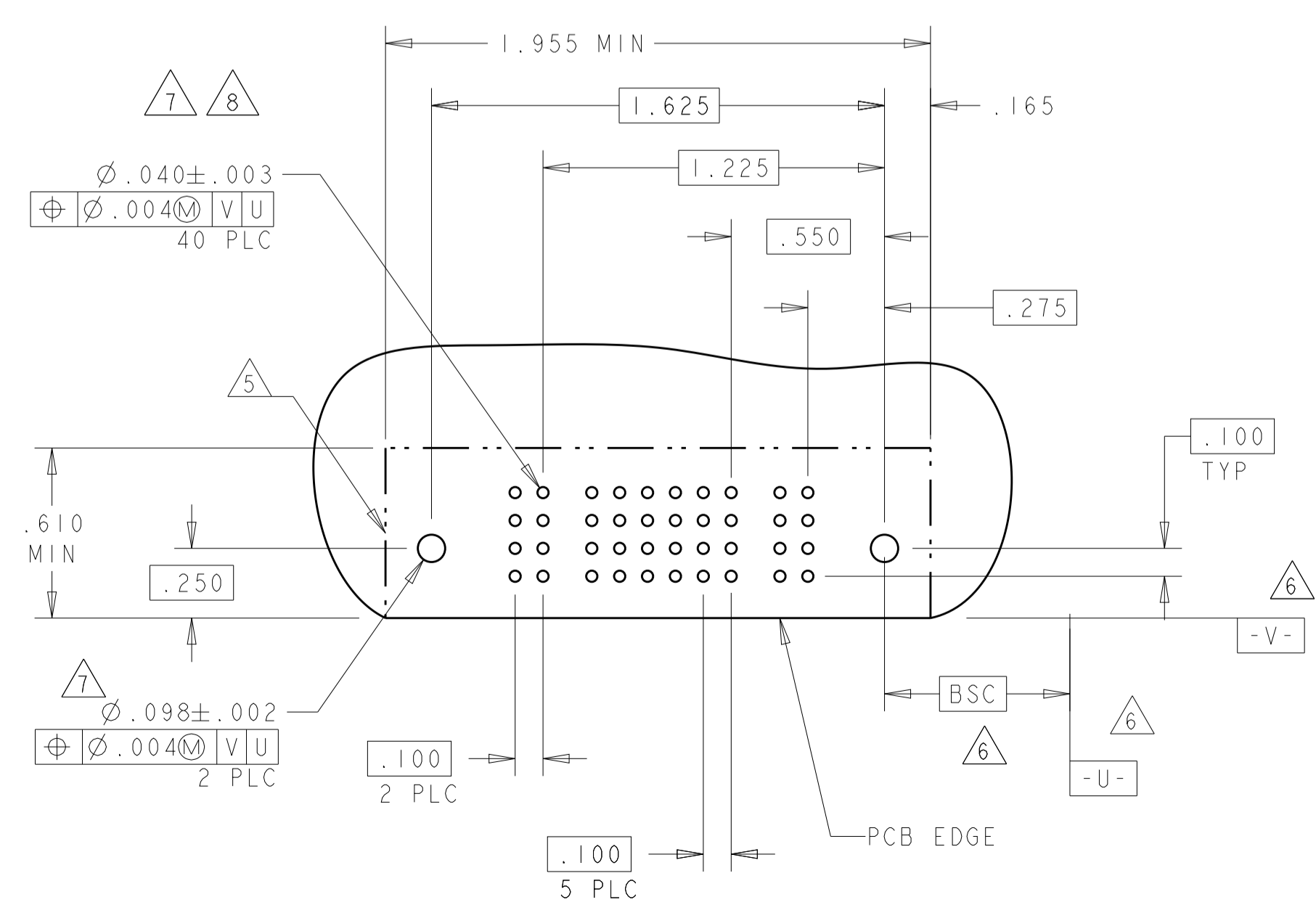
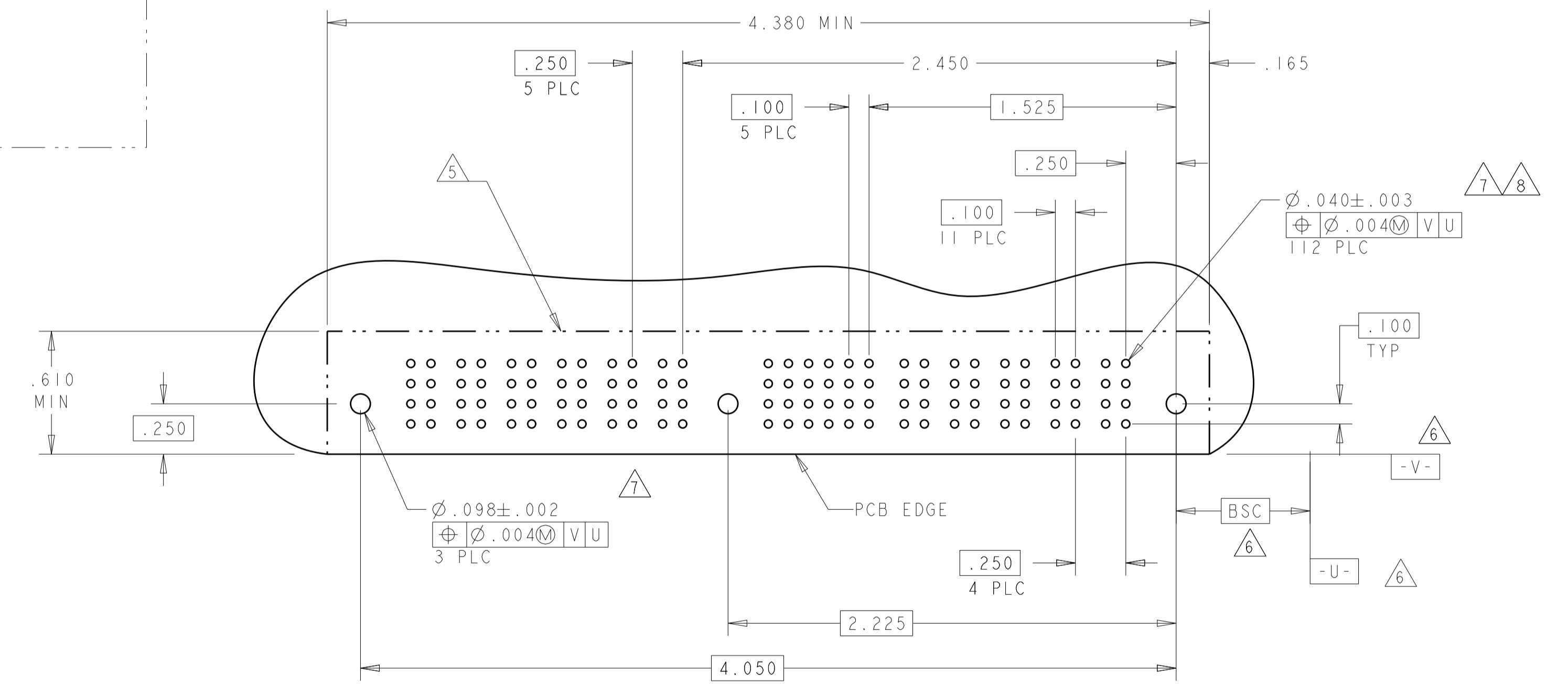


PART NUMBER	ROWS	POWER					SIGNAL					POWER								
		P11	P10	P9	P8	P7	P6	M1	6	5	4	3	2	1	P5	P4	P3	P2	P1	
6450160-4	D C B A	RB	RB	RB	RB	RB	RB	L	L	L	L	L	L	L	L	RB	RB	RB	RB	RB
		5P + 24S + 1M + 6P																		

PART NUMBER	ROWS	POWER					SIGNAL					POWER							
		P11	P10	P9	P8	P7	P6	M1	6	5	4	3	2	1	P5	P4	P3	P2	P1
6450160-5	D C B A	RA	RA	RA	RA	RA	RA	H	H	H	H	H	H	H	RA	RA	RA	RA	RA
		5P + 24S + 1M + 6P																	

PART NUMBER	ROWS	POWER					SIGNAL					POWER													
		P2	6	5	4	3	2	1	P1	6	5	4	3	2	1	P1	6	5	4	3	2	1			
6450160-2	D C B A	RB	K	K	K	K	K	K	L	L	L	L	L	L	L	RB	K	K	K	K	K	K			
		1P + 24S + 1P																							

PART NUMBER	ROWS	POWER					SIGNAL					POWER													
		P2	6	5	4	3	2	1	P1	6	5	4	3	2	1	P1	6	5	4	3	2	1			
6450160-3	D C B A	RA	H	H	H	H	H	H	G	G	G	G	G	G	G	RA	H	H	H	H	H	H			
		1P + 24S + 1P																							



CODE	TAIL LENGTH	DESCRIPTION
RN	.090	STD
RM	.135	STD
RA	.135	MFBL
RB	.090	MFBL

POWER CONTACT

CODE	TAIL LENGTH	ROW
L	.090	D
K	.090	C
J	.090	B
I	.090	A
H	.135	D
G	.135	C
F	.135	B
E	.135	A

SIGNAL CONTACT

THIS DRAWING IS A CONTROLLED DOCUMENT.

DIMENSIONS:	TOLERANCES UNLESS OTHERWISE SPECIFIED:	OWN: R. GRZYBOWSKI	21FEB05
INCHES	0 PLC ±.01	CHK: M. PERCHERKE	21FEB05
	1 PLC ±.01	APVD: M. PERCHERKE	21FEB05
	2 PLC ±.01	PRODUCT SPEC	
	3 PLC ±.01	108-1973	
	4 PLC ±.005	APPLICATION SPEC	
	5 PLC ±.002	114-13038	
	ANGLES ±.2°	WEIGHT	
MATERIAL	FINISH	Customer Drawing	

RESTRICTED TO

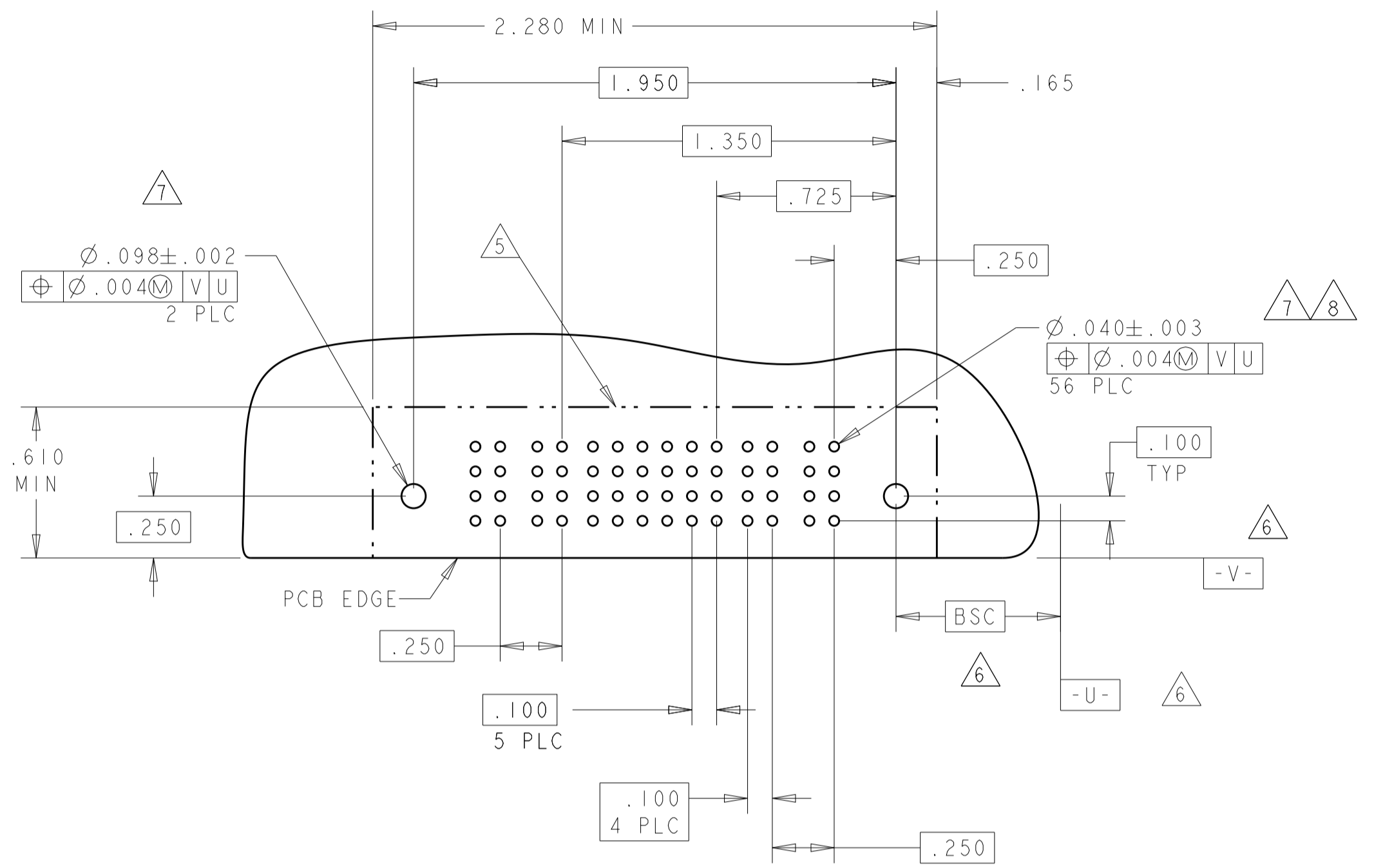
NAME: RIGHT ANGLE RECEPTACLE ASSEMBLY WITH GUIDES MULTI-BEAM XL

SIZE: A100779 CAGE CODE: 6450160 DRAWING NO: 108-1973

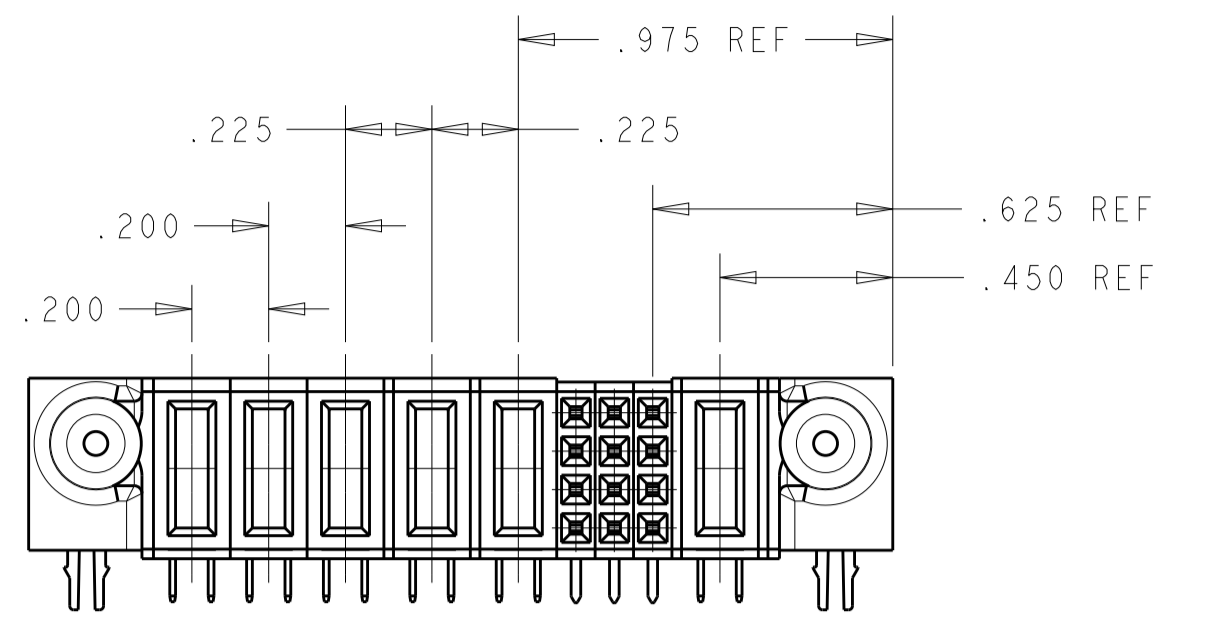
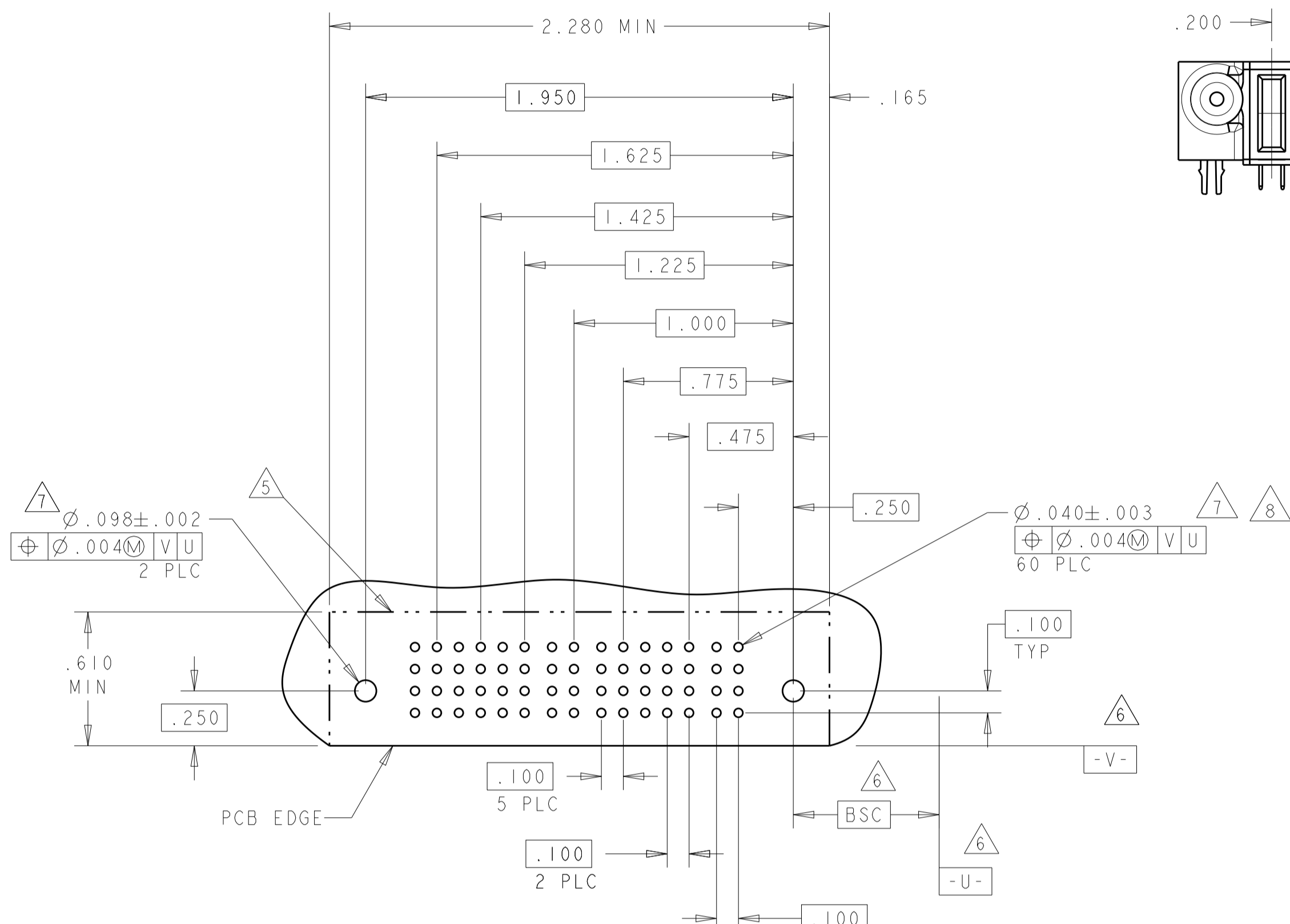
SCALE: 4:1 SHEET 3 OF 16 REV: G1



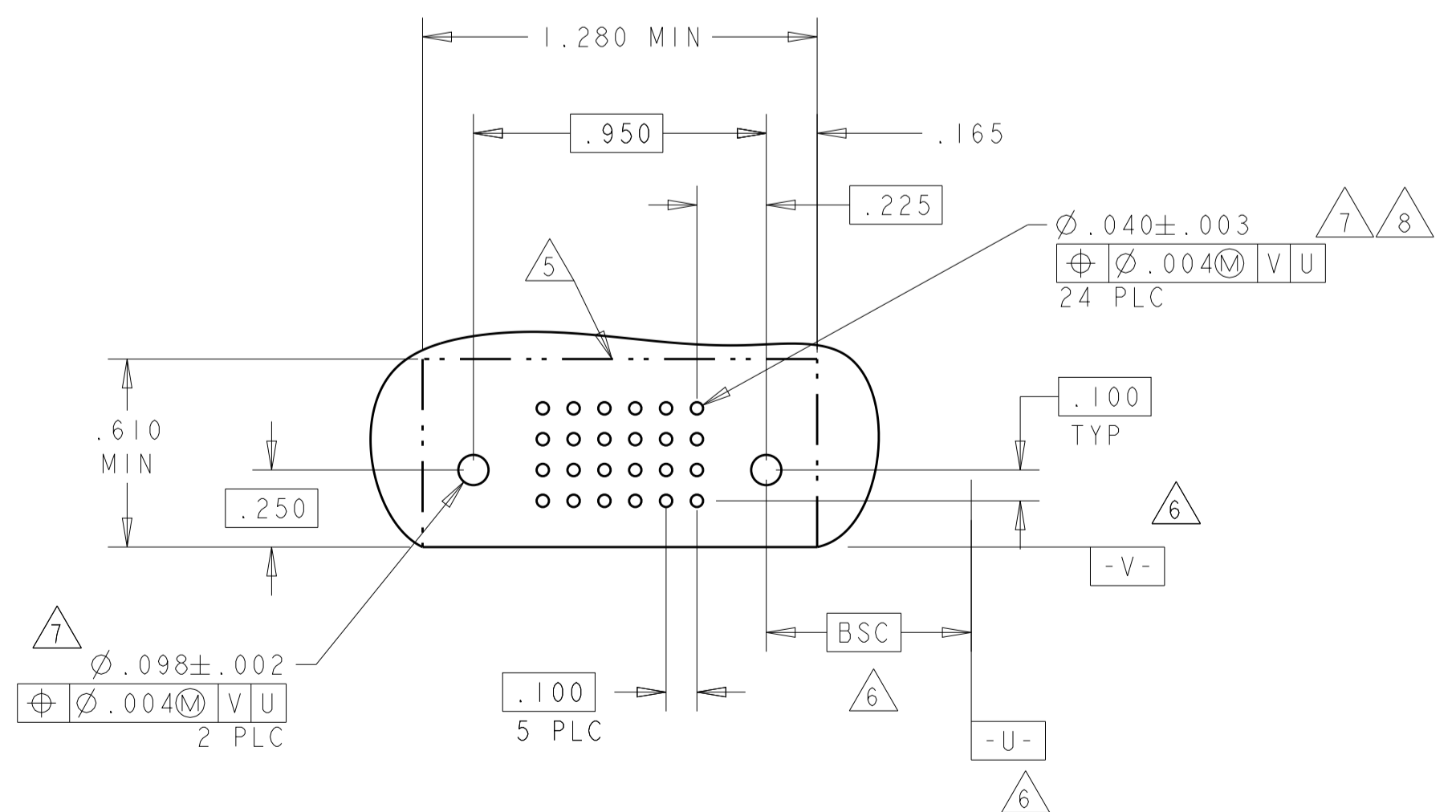
PART NUMBER	ROWS	POWER		SIGNAL				POWER		
		P4	P3	6	5	4	3	2	1	P2
I-6450160-0	D C B A	RA	RA	H	H	H	H	H	RA	RA
				G	G	G	G	G		
				F	F	F	F	F		
2P + 24S + 2P										



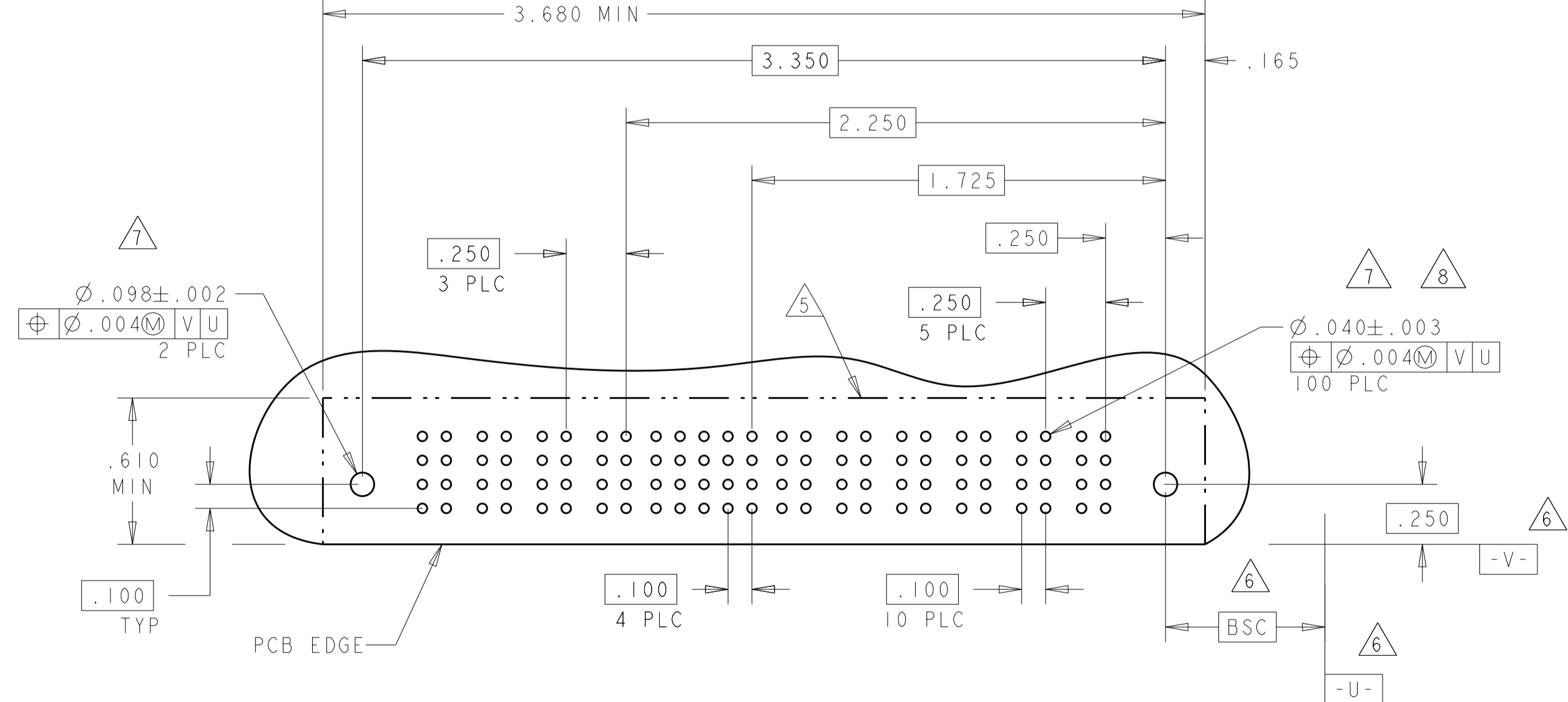
PART NUMBER	ROWS	POWER				SIGNAL POWER			
		P6	P5	P4	P3	2	1	P2	P1
I-6450160-1	D C B A	RA	RA	RA	RA	H	H	H	RA
						G	G	G	
						F	F	F	
1P + 12S + 5P									



PART NUMBER	ROWS	SIGNAL					
		6	5	4	3	2	1
I-6450160-2	D C B A	L	L	L	L	L	L
		K	K	K	K	K	K
		J	J	J	J	J	J
0P + 24S + 0P							



PART NUMBER	ROWS	POWER			SIGNAL				POWER						
		P10	P9	P8	P7	5	4	3	2	1	P6	P5	P4	P3	P2
I-6450160-9	D C B A	RA	RA	RA	RA	H	H	H	H	RA	RA	RA	RA	RA	RA
						G	G	G	G						
						F	F	F	F						
6P + 20S + 4P															



THIS DRAWING IS A CONTROLLED DOCUMENT. OWN: R. GRZYBOWSKI, 21FEB05  
 CHK: M. PERCHERKE, 21FEB05  
 APVD: M. PERCHERKE, 21FEB05

STE TE Connectivity

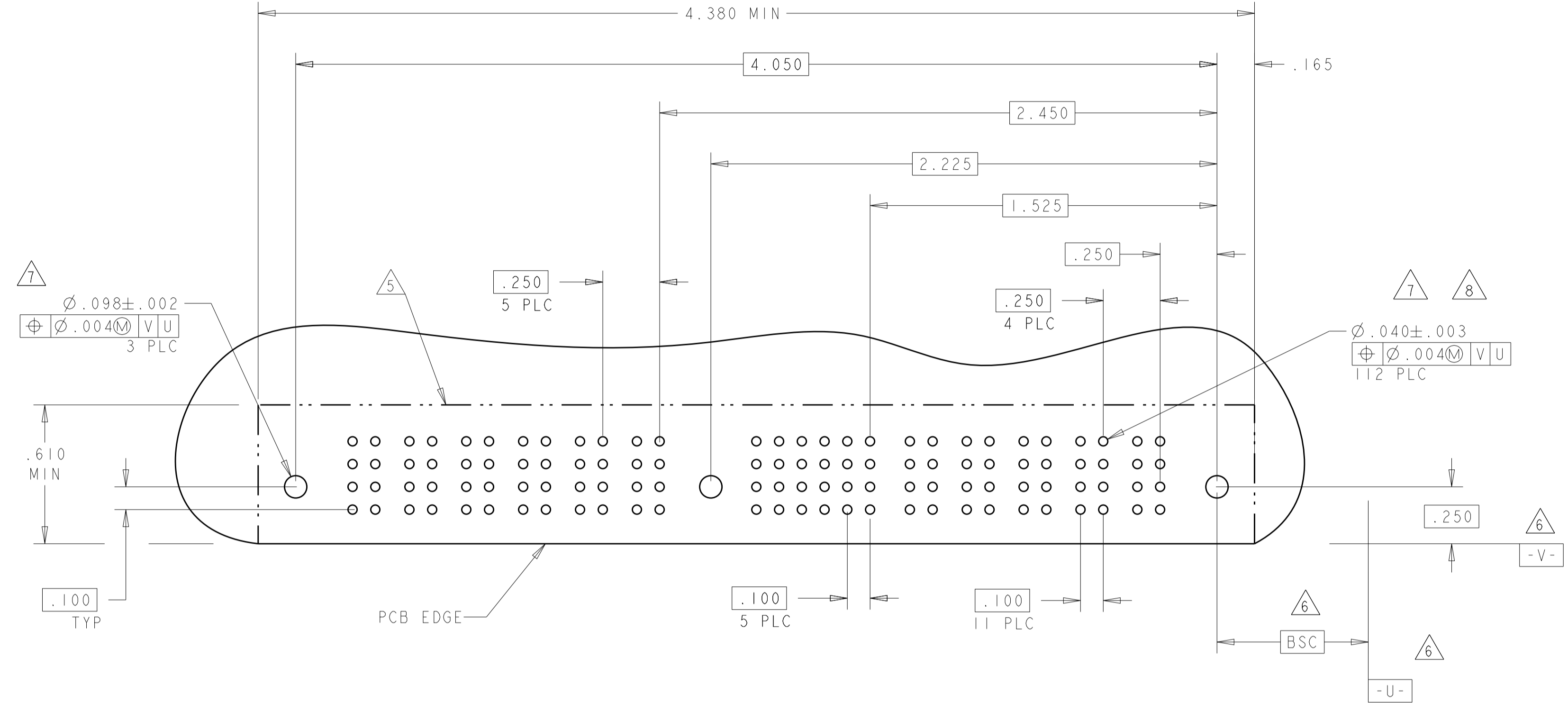
NAME: RIGHT ANGLE RECEPTACLE ASSEMBLY WITH GUIDES MULTI-BEAM XL

PRODUCT SPEC: 108-1973  
 APPLICATION SPEC: 114-13038  
 WEIGHT: -  
 Customer Drawing

SCALE: 4:1 SHEET 5 OF 16 REV: G1

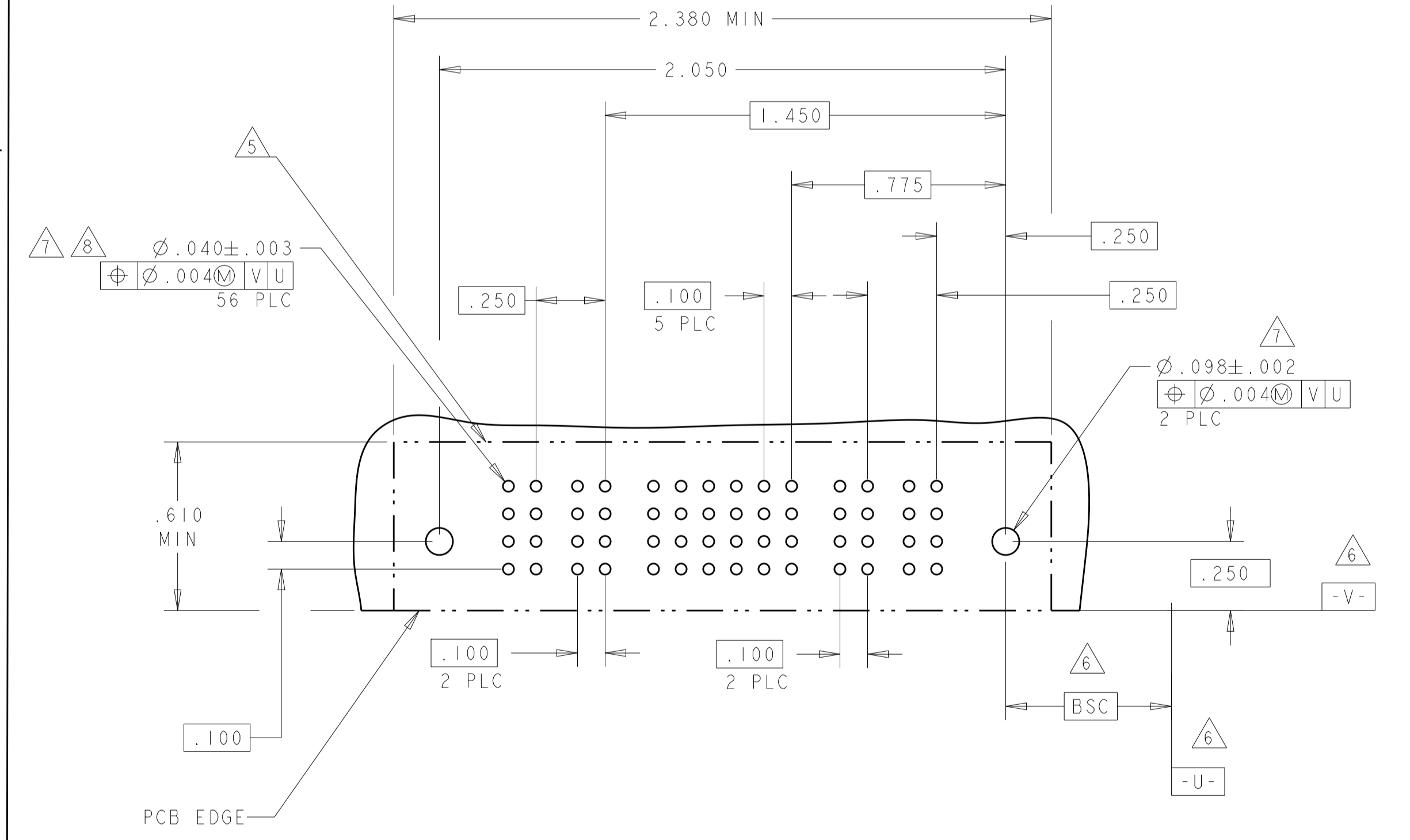
LOC	DIST	REVISIONS			
P	LTN	DESCRIPTION	DATE	OWN	APVD
GP	00	SEE SHEET 1			

PART NUMBER	ROWS	POWER					SIGNAL					POWER						
		P11	P10	P9	P8	P7	P6	M1	6	5	4	3	2	1	P5	P4	P3	P2
2-6450160-0	D C B A	RA	RA	RA	RA	RA	RA	H	H	H	H	H	H	RA	RA	RA	RA	RA
		5P + 24S + 1M + 6P																

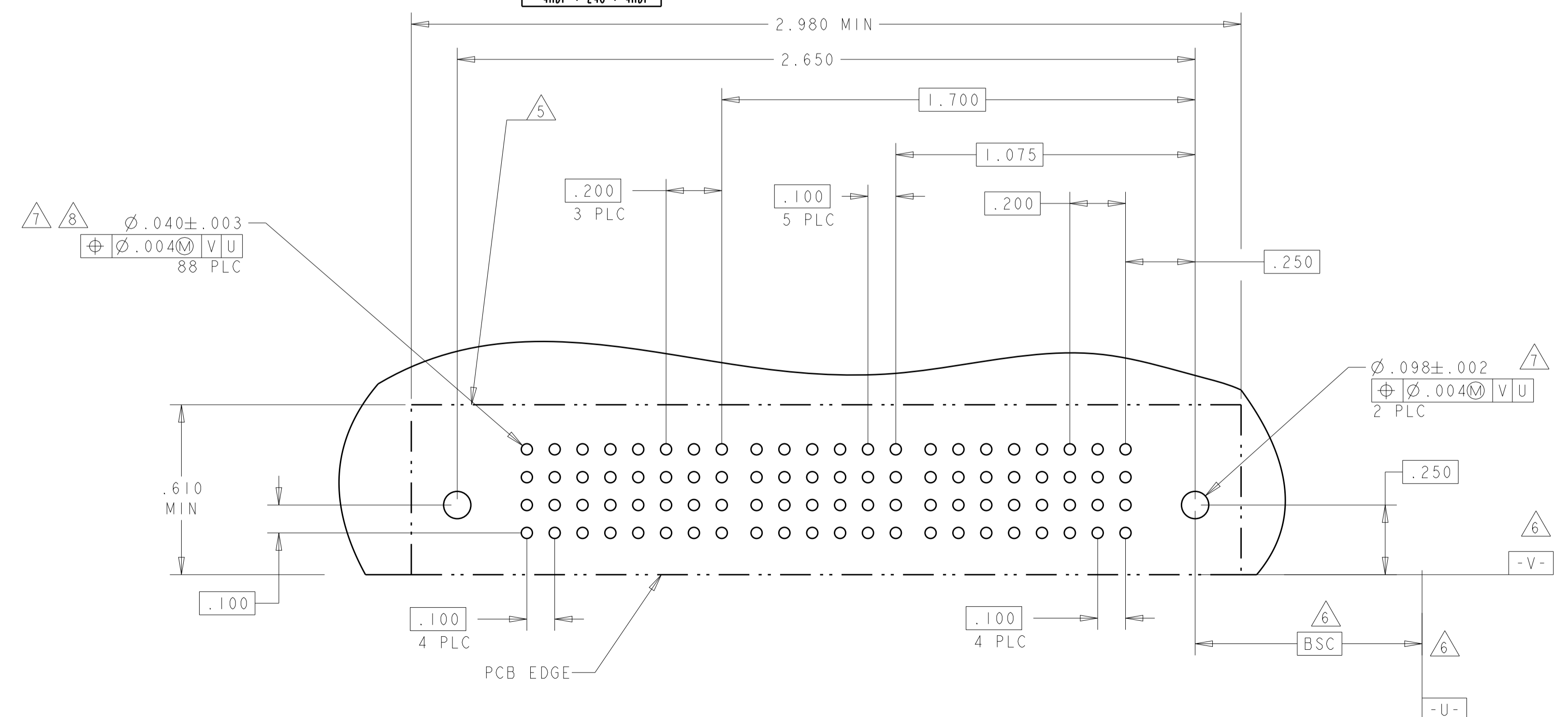


PART NUMBER	ROWS	POWER		SIGNAL					POWER		
		P4	P3	6	5	4	3	2	1	P2	P1
2-6450160-5	D C B A	RM	RM	L	L	L	L	L	L	RM	RM
		2P + 24S + 2P									

PART NUMBER	ROWS	POWER		SIGNAL					POWER		
		P4	P3	6	5	4	3	2	1	P2	P1
4-6450160-5	D C B A	RM	RM	H	H	H	H	H	H	RM	RM
		2P + 24S + 2P									



PART NUMBER	ROWS	POWER				SIGNAL					POWER				
		P8	P7	P6	P5	6	5	4	3	2	1	P4	P3	P2	P1
2-6450160-6	D C B A	RM	RM	RM	RM	H	H	H	H	H	H	RM	RM	RM	RM
		4HDP + 24S + 4HDP													



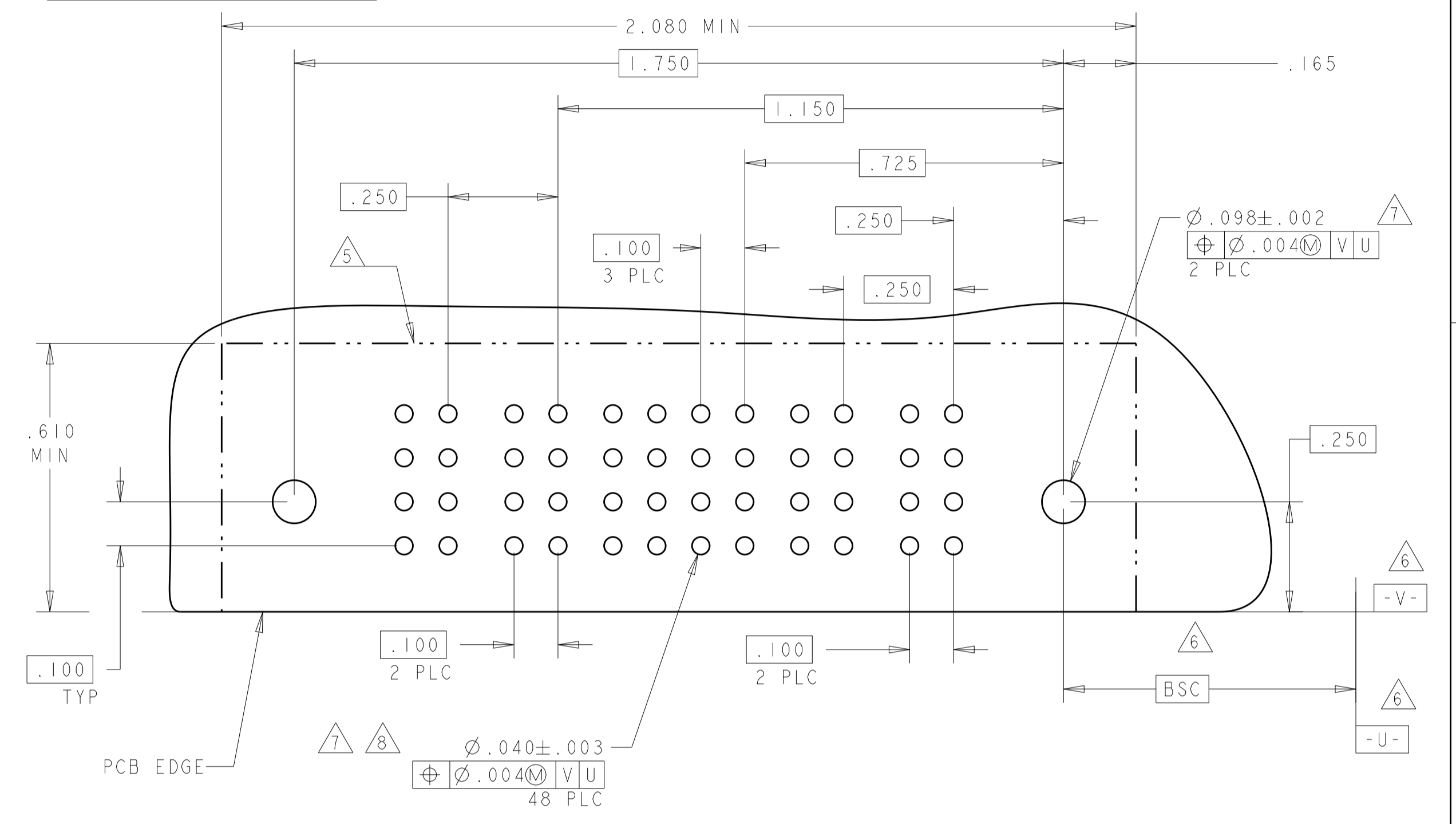
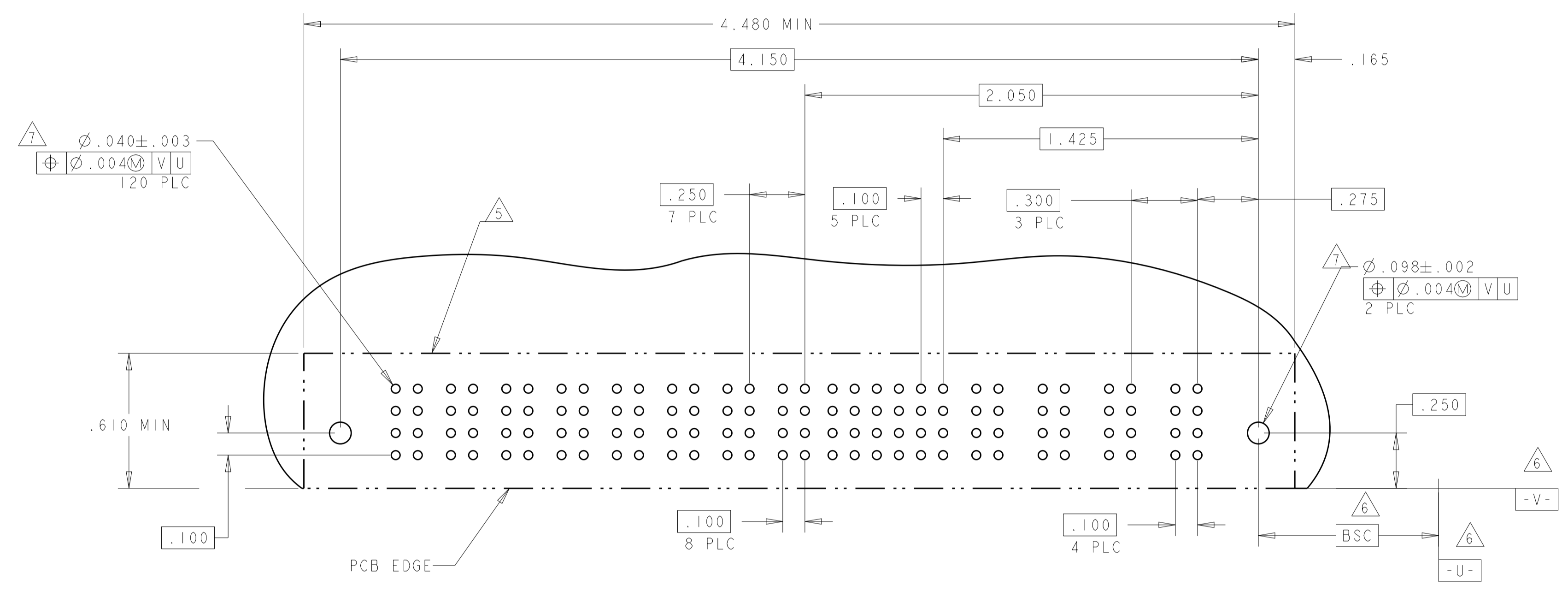
2-6450160-5 AND 4-6450160-5 PCB LAYOUT

THIS DRAWING IS A CONTROLLED DOCUMENT.		OWN: R. GRZYBOWSKI	ZIFEB05	 TE Connectivity
DIMENSIONS: INCHES		CHK: M. PERCHERKE	ZIFEB05	
TOLERANCES UNLESS OTHERWISE SPECIFIED:		APVD: M. PERCHERKE	ZIFEB05	NAME: RIGHT ANGLE RECEPTACLE ASSEMBLY WITH GUIDES MULTI-BEAM XL
0 PLC ±.01		PRODUCT SPEC		SIZE: CAGE CODE DRAWING NO
1 PLC ±.01		APPLICATION SPEC		RESTRICTED TO
2 PLC ±.01		108-1973		A100779
3 PLC ±.005		114-13038		C=6450160
4 PLC ±.002		WEIGHT		SCALE: 4:1
ANGLES ±.002		Customer Drawing		SHEET 6 OF 16

PART NUMBER	ROWS	POWER								SIGNAL						POWER			
		P12	P11	P10	P9	P8	P7	P6	P5	6	5	4	3	2	1	P4	P3	P2	P1
2-6450160-9	D C B A	RM	RM	RM	RM	RM	RM	RM	RM	H	H	H	H	H	H	RM	RM	RM	RM
4ACP + 24S + 8P										G	G	G	G	G	G				
										F	F	F	F	F	F				
										E	E	E	E	E	E				

PART NUMBER	ROWS	POWER		SIGNAL				POWER	
		P4	P3	4	3	2	1	P2	P1
3-6450160-1	D C B A	RM	RM	H	H	H	H	RM	RM
				G	G	G	G		
				F	F	F	F		
				E	E	E	E		

2P + 16S + 2P

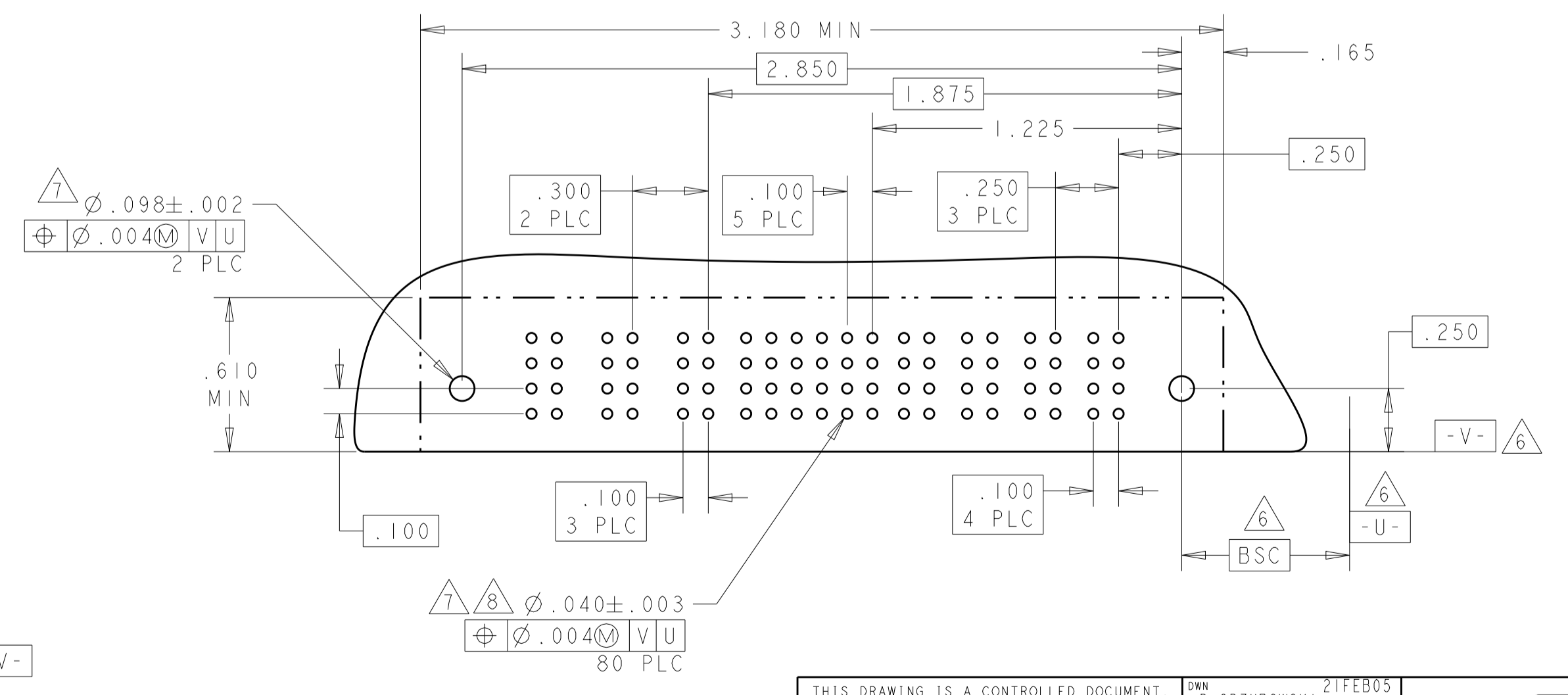
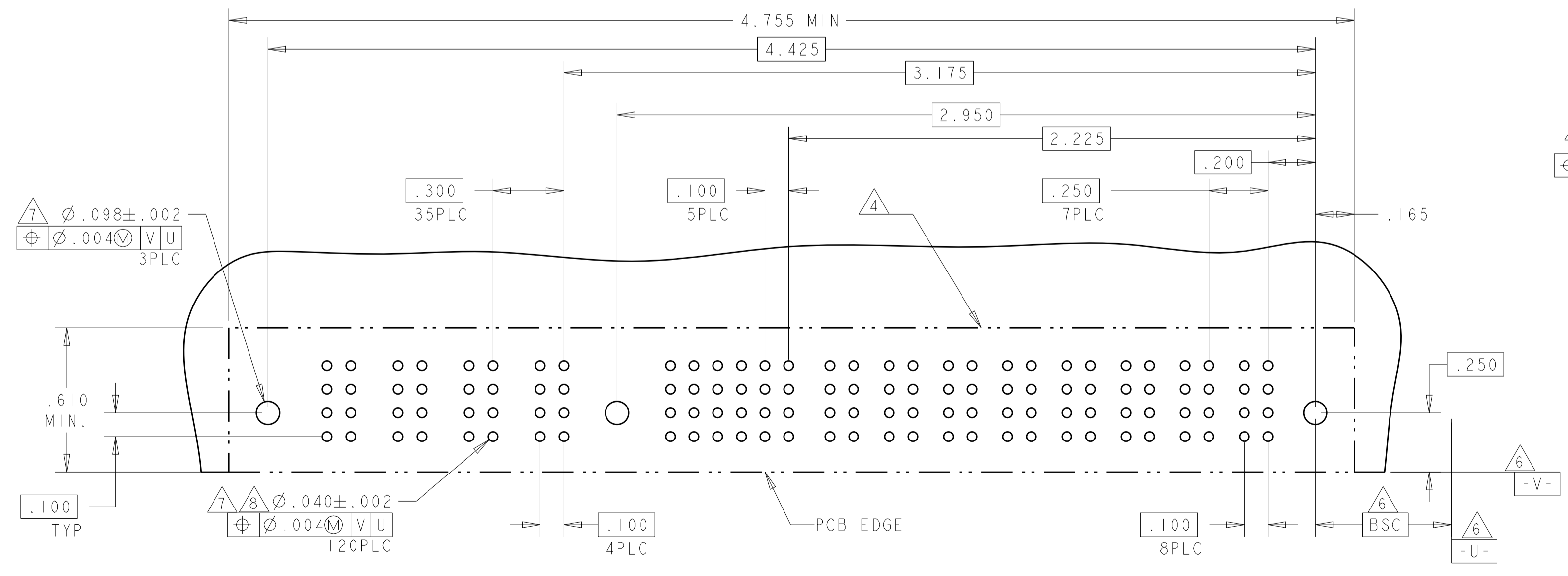


PART NUMBER	ROWS	POWER				SIGNAL						POWER							
		P12	P11	P10	P9	6	5	4	3	2	1	P8	P7	P6	P5	P4	P3	P2	P1
3-6450160-0	D C B A	RM	RM	RM	RM	H	H	H	H	H	H	RM	RM	RM	RM	RM	RM	RM	RM
						G	G	G	G	G	G								
						F	F	F	F	F	F								
						E	E	E	E	E	E								

8P + 24S + 1M + 4ACP

PART NUMBER	HOUSING P/N	ROWS	POWER			SIGNAL						POWER			
			P7	P6	P5	6	5	4	3	2	1	P4	P3	P2	P1
3-6450160-2	3-1450190-2	D C B A	RM	RM	RM	H	H	H	H	H	H	RM	RM	RM	RM
						G	G	G	G	G	G				
						F	F	F	F	F	F				
						E	E	E	E	E	E				

4P + 24S + 3ACP

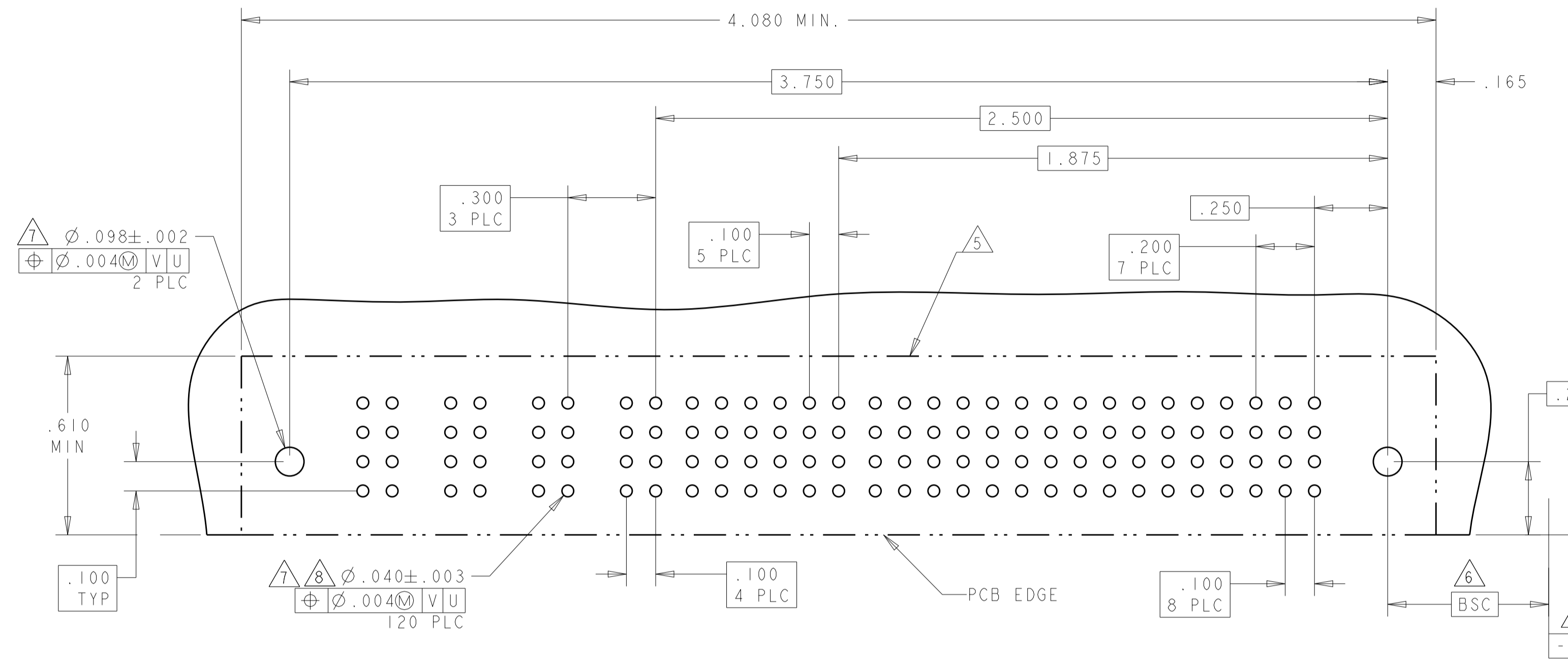


THIS DRAWING IS A CONTROLLED DOCUMENT.

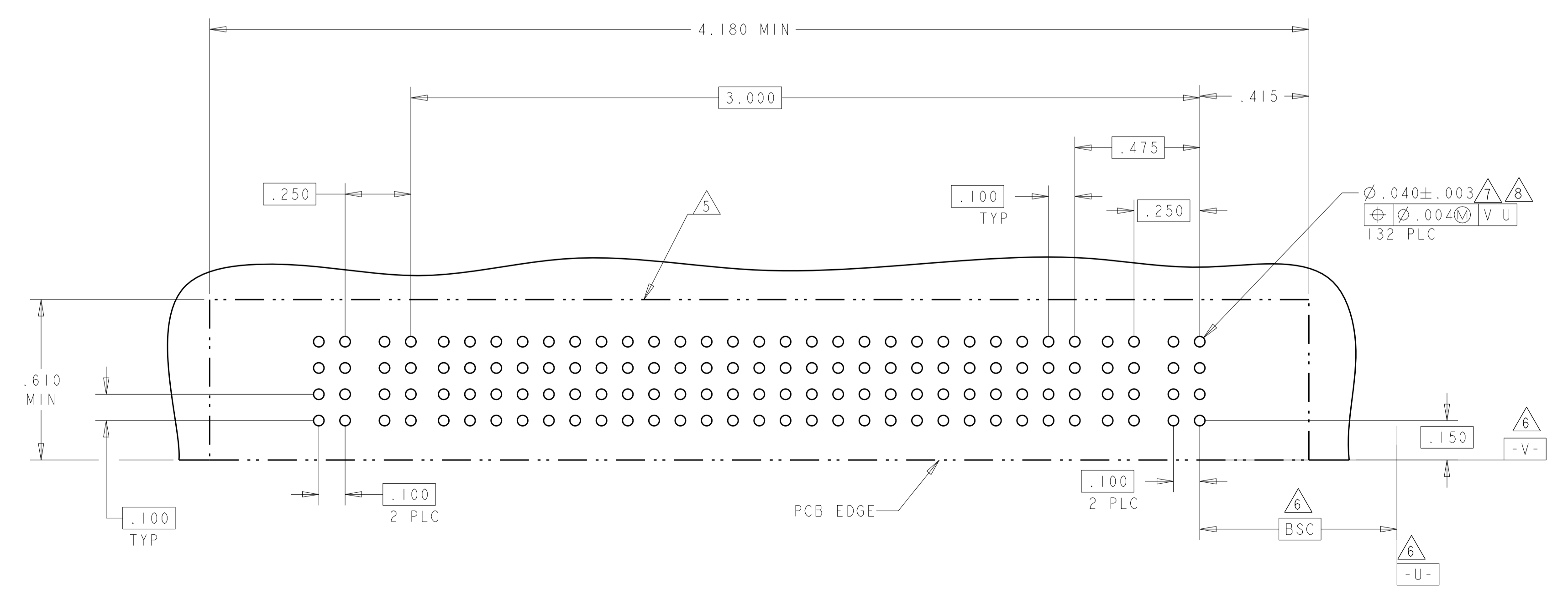
OWN: R. GRZYBOWSKI	ZIFEB05	 TE Connectivity
CHK: M. PERCHERKE	ZIFEB05	
APPV: M. PERCHERKE	ZIFEB05	
NAME: RIGHT ANGLE RECEPTACLE ASSEMBLY WITH GUIDES MULTI-BEAM XL		
DIMENSIONS: INCHES	TOLERANCES UNLESS OTHERWISE SPECIFIED:	SIZE: 114-13038
0 PLC ±.01	1 PLC ±.01	SCALE: 3:1
2 PLC ±.01	3 PLC ±.01	SHEET 7 OF 16
4 PLC ±.005	5 PLC ±.005	REV: G1
6 PLC ±.002	ANGLES ±.002	
MATERIAL: FINISH: *	WEIGHT: -	
Customer Drawing		

LOC		DIST		REVISONS			
GP	00	P	LTN	DESCRIPTION	DATE	DWN	APVD
		-		SEE SHEET 1			

PART NUMBER	ROWS	POWER				SIGNAL								POWER							
		P12	P11	P10	P9	6	5	4	3	2	1	P8	P7	P6	P5	P4	P3	P2	P1		
3-6450160-3	D C B A	RM	RM	RM	RM	H	H	H	H	H	H	RM	RM	RM	RM	RM	RM	RM	RM		
		G	G	G	G	G	G	G	G	G	G	RM	RM	RM	RM	RM	RM	RM			
		F	F	F	F	F	F	F	F	F	F	RM	RM	RM	RM	RM	RM	RM			
		E	E	E	E	E	E	E	E	E	E	RM	RM	RM	RM	RM	RM	RM			
8P + 24S + 4ACP																					



PART NUMBER	ROWS	POWER		SIGNAL																				POWER						
		P4	P3	25	24	23	22	21	20	19	18	17	16	15	14	13	12	11	10	9	8	7	6	5	4	3	2	1	P2	P1
3-6450160-4	D C B A	RM	RM	H	H	H	H	H	H	H	H	H	H	H	H	H	H	H	H	H	H	H	H	H	H	H	H	H	H	
		G	G	G	G	G	G	G	G	G	G	G	G	G	G	G	G	G	G	G	G	G	G	G	G	G	G	G	G	
		F	F	F	F	F	F	F	F	F	F	F	F	F	F	F	F	F	F	F	F	F	F	F	F	F	F	F	F	F
		E	E	E	E	E	E	E	E	E	E	E	E	E	E	E	E	E	E	E	E	E	E	E	E	E	E	E	E	E
2P + 100S + 2P																														

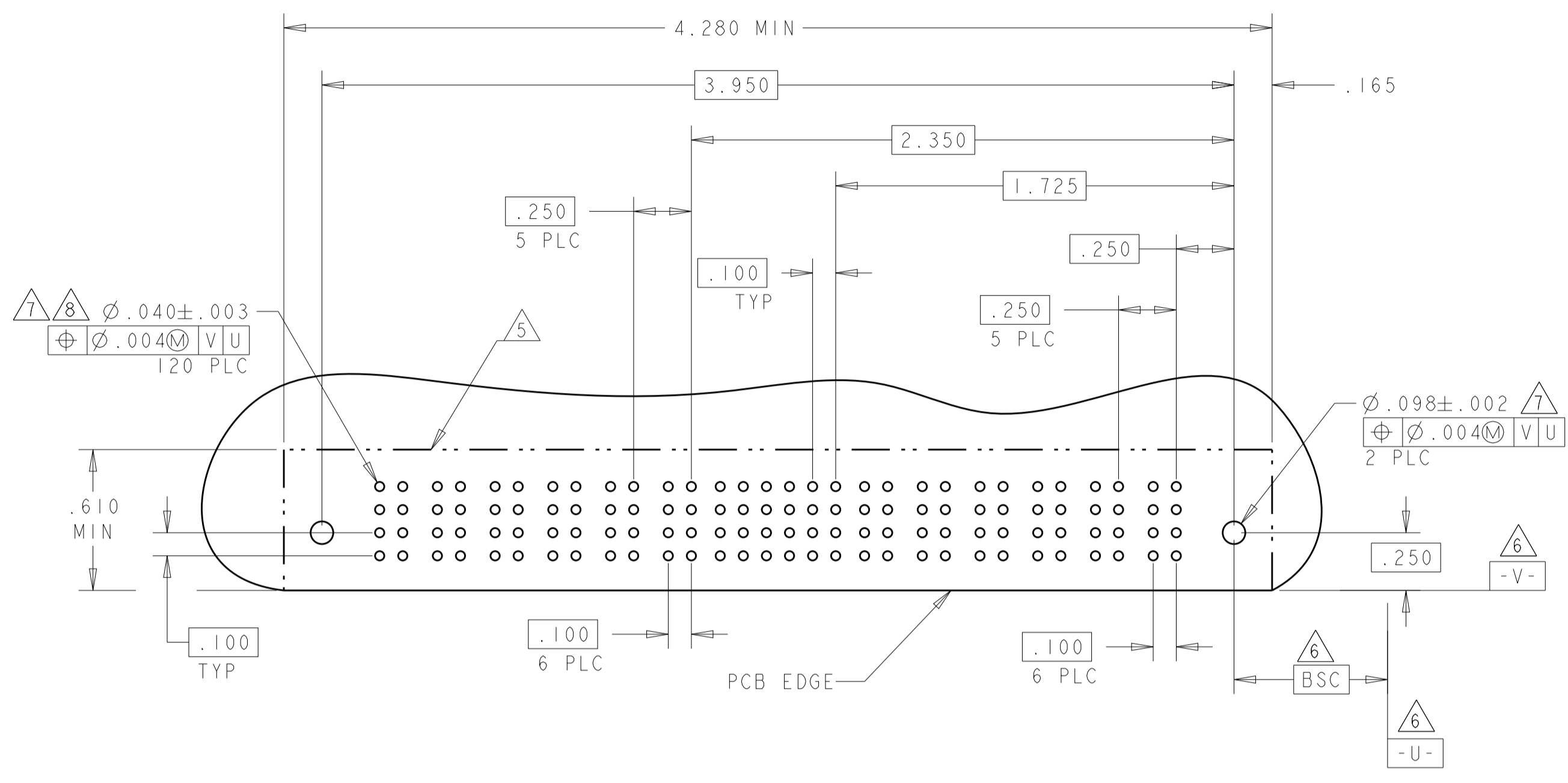


THIS DRAWING IS A CONTROLLED DOCUMENT.		DWN: R. GRZYBOWSKI 21FEB05	TE Connectivity
DIMENSIONS: INCHES		CHK: M. PERCHERKE 21FEB05	
TOLERANCES UNLESS OTHERWISE SPECIFIED: 0 PLC ±. 1 PLC ±.01 2 PLC ±.01 3 PLC ±.005 4 PLC ±.002 ANGLES ±.2°		APVD: M. PERCHERKE 21FEB05	NAME: RIGHT ANGLE RECEPTACLE ASSEMBLY WITH GUIDES MULTI-BEAM XL
MATERIAL: FINISH		PRODUCT SPEC: 108-1973	SIZE: A100779
		APPLICATION SPEC: 114-13038	DRAWING NO: C=6450160
		WEIGHT: -	RESTRICTED TO: -
		Customer Drawing	SCALE: 3:1 SHEET 8 OF 16 REV: G1

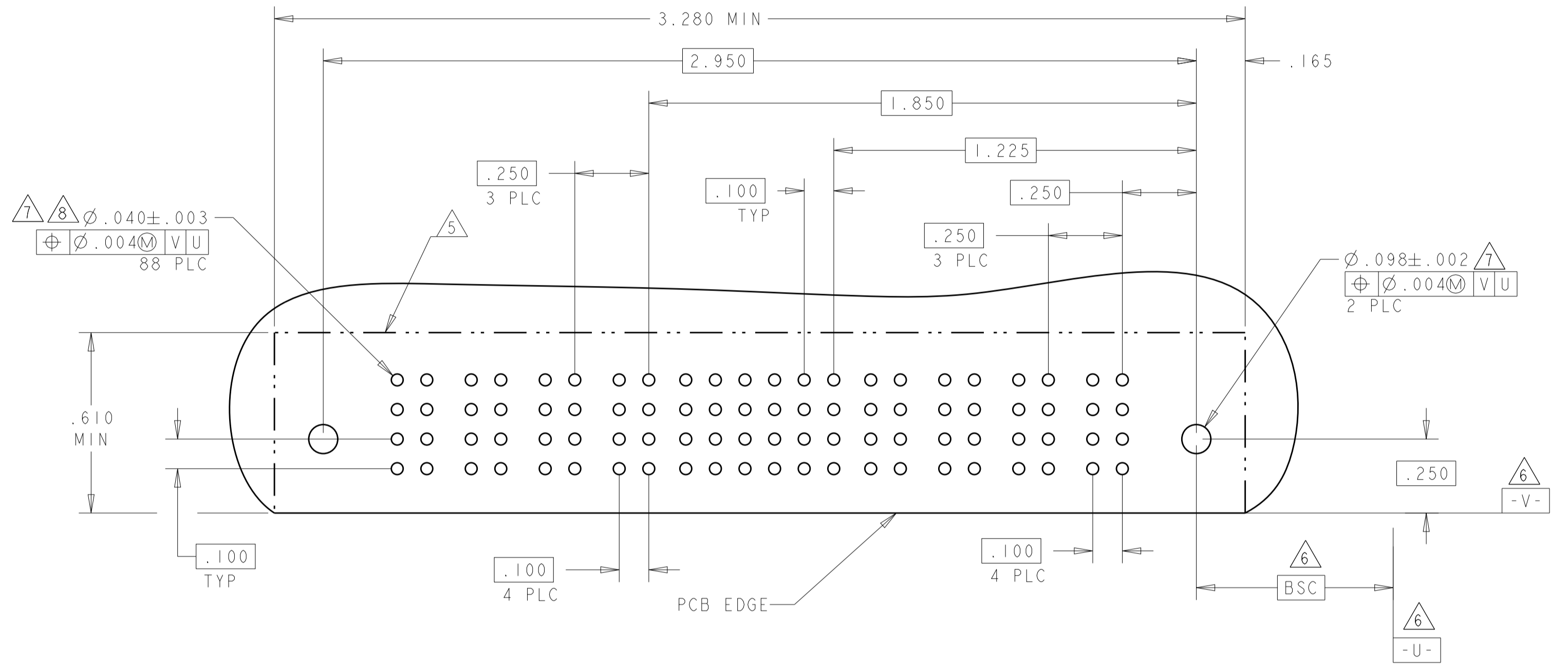


LOC	DIST	REV	DATE	BY	APPV
GP	00				
REVISIONS			DESCRIPTION	DATE	BY
			SEE SHEET 1		

PART NUMBER	ROWS	POWER					SIGNAL					POWER											
		P12	P11	P10	P9	P8	6	5	4	3	2	1	P6	P5	P4	P3	P2	P1					
3-6450160-6	D C B A	RM	RM	RM	RM	RM	H	H	H	H	H	H	RM	RM	RM	RM	RM	RM					
		G	G	G	G	G	F	F	F	F	F	F											
		E	E	E	E	E	E	E	E	E	E	E											
6P + 24S + 6P		[HD]																				[HD]	



PART NUMBER	ROWS	POWER				SIGNAL					POWER								
		P8	P7	P6	P5	6	5	4	3	2	1	P4	P3	P2	P1				
3-6450160-7	D C B A	RM	RM	RM	RM	H	H	H	H	H	H	RM	RM	RM	RM				
		G	G	G	G	F	F	F	F	F	F								
		E	E	E	E	E	E	E	E	E	E								
4P + 24S + 4P		[HD]																[HD]	



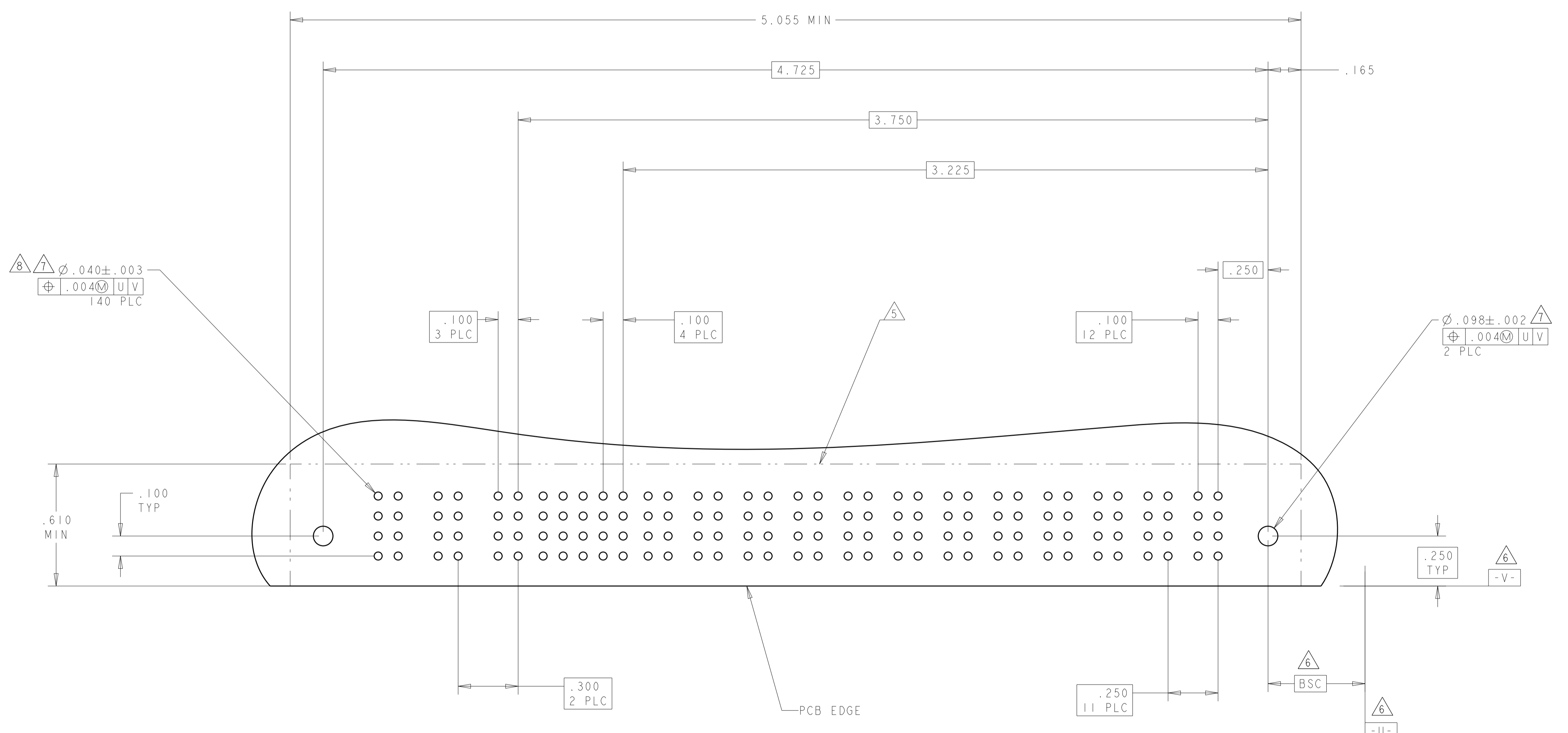
THIS DRAWING IS A CONTROLLED DOCUMENT.

DIMENSIONS:	TOLERANCES UNLESS OTHERWISE SPECIFIED:	OWN: R. GRZYBOWSKI 21FEB05	NAME: RIGHT ANGLE RECEPTACLE ASSEMBLY WITH GUIDES MULTI-BEAM XL
INCHES	0 PLC ± .010 1 PLC ± .008 2 PLC ± .006 3 PLC ± .005 4 PLC ± .004 ANGLES ± .002	CHK: M. PERCHERKE 21FEB05	SIZE: A1 00779 C=6450160
MATERIAL:	FINISH:	APVD: M. PERCHERKE 21FEB05	RESTRICTED TO: -
		PRODUCT SPEC: 108-1973	SCALE: 3:1
		APPLICATION SPEC: 114-13038	SHEET 9 OF 16
		WEIGHT: -	REV: G1
		Customer Drawing	

4805 (3/11)

LOC	DIST	REVISIONS			
P	LTN	DESCRIPTION	DATE	DMN	APVD
-	-	SEE SHEET 1	-	-	-

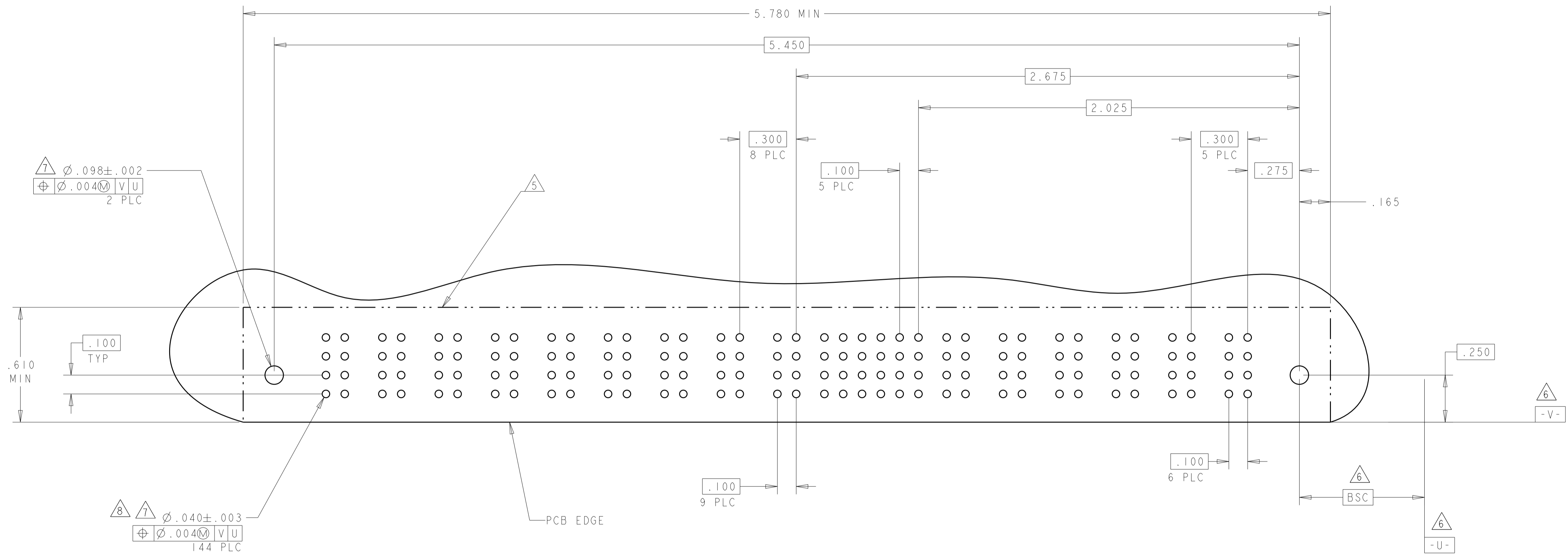
PART NUMBER	ROWS	AC POWER			SIGNAL					POWER													
		P15	P14	P13	5	4	3	2	1	P12	P11	P10	P9	P8	P7	P6	P5	P4	P3	P2	P1		
1-6450160-8	D C B A	RA	RA	RA	H	H	H	H	H	RA	RA	RA	RA	RA	RA	RA	RA	RA	RA	RA	RA	RA	RA
					G	G	G	G	G														
					F	F	F	F	F														
12P + 20S + 3ACP		E E E E E																					



THIS DRAWING IS A CONTROLLED DOCUMENT.		DMN: R. GRZYBOWSKI 21FEB05	TE Connectivity														
DIMENSIONS: INCHES		CHK: M. PERCHERKE 21FEB05															
TOLERANCES UNLESS OTHERWISE SPECIFIED:		APVD: M. PERCHERKE 21FEB05	NAME: RIGHT ANGLE RECEPTACLE ASSEMBLY WITH GUIDES MULTI-BEAM XL														
<table border="1"> <tr><td>0 PLC</td><td>±</td></tr> <tr><td>1 PLC</td><td>±.01</td></tr> <tr><td>2 PLC</td><td>±.01</td></tr> <tr><td>3 PLC</td><td>±.005</td></tr> <tr><td>4 PLC</td><td>±.002</td></tr> <tr><td>ANGLES</td><td>±.2°</td></tr> <tr><td>FINISH</td><td></td></tr> </table>		0 PLC	±	1 PLC	±.01	2 PLC	±.01	3 PLC	±.005	4 PLC	±.002	ANGLES	±.2°	FINISH		PRODUCT SPEC: 108-1973	SIZE: A100779
0 PLC	±																
1 PLC	±.01																
2 PLC	±.01																
3 PLC	±.005																
4 PLC	±.002																
ANGLES	±.2°																
FINISH																	
MATERIAL:		APPLICATION SPEC: 114-13038	CAGE CODE: C=6450160														
WEIGHT:		RESTRICTED TO:	SCALE: 3:1 SHEET 10 OF 16 REV: G1														
Customer Drawing																	

LOC	DIST	REVISIONS			
P	LTN	DESCRIPTION	DATE	DMN	APVD
-	-	SEE SHEET 1	-	-	-

PART NUMBER	ROWS	POWER								SIGNAL					POWER					HD		
		P15	P14	P13	P12	P11	P10	P9	P8	P7	P6	P5	P4	P3	P2	P1	P6	P5	P4		P3	P2
3-6450160-8	D C B A	RM	RM	RM	RM	RM	RM	RM	RM	H	H		H	H	RA		RM	RM	RM	RM	HD	
										G	G		G	G								
										F	F		F	F								
										E	E		E	E								
6P + 24S + 9P																						HD



THIS DRAWING IS A CONTROLLED DOCUMENT. DWN: R. GRZYBOWSKI 21FEB05  
 CHK: M. PERCHERKE 21FEB05  
 APVD: M. PERCHERKE 21FEB05

**STE** TE Connectivity

NAME: RIGHT ANGLE RECEPTACLE ASSEMBLY WITH GUIDES MULTI-BEAM XL

PRODUCT SPEC: 108-1973  
 APPLICATION SPEC: 114-13038  
 WEIGHT: -

SIZE: A100779 C=6450160  
 SCALE: 3:1 SHEET 11 OF 16 REV: G1

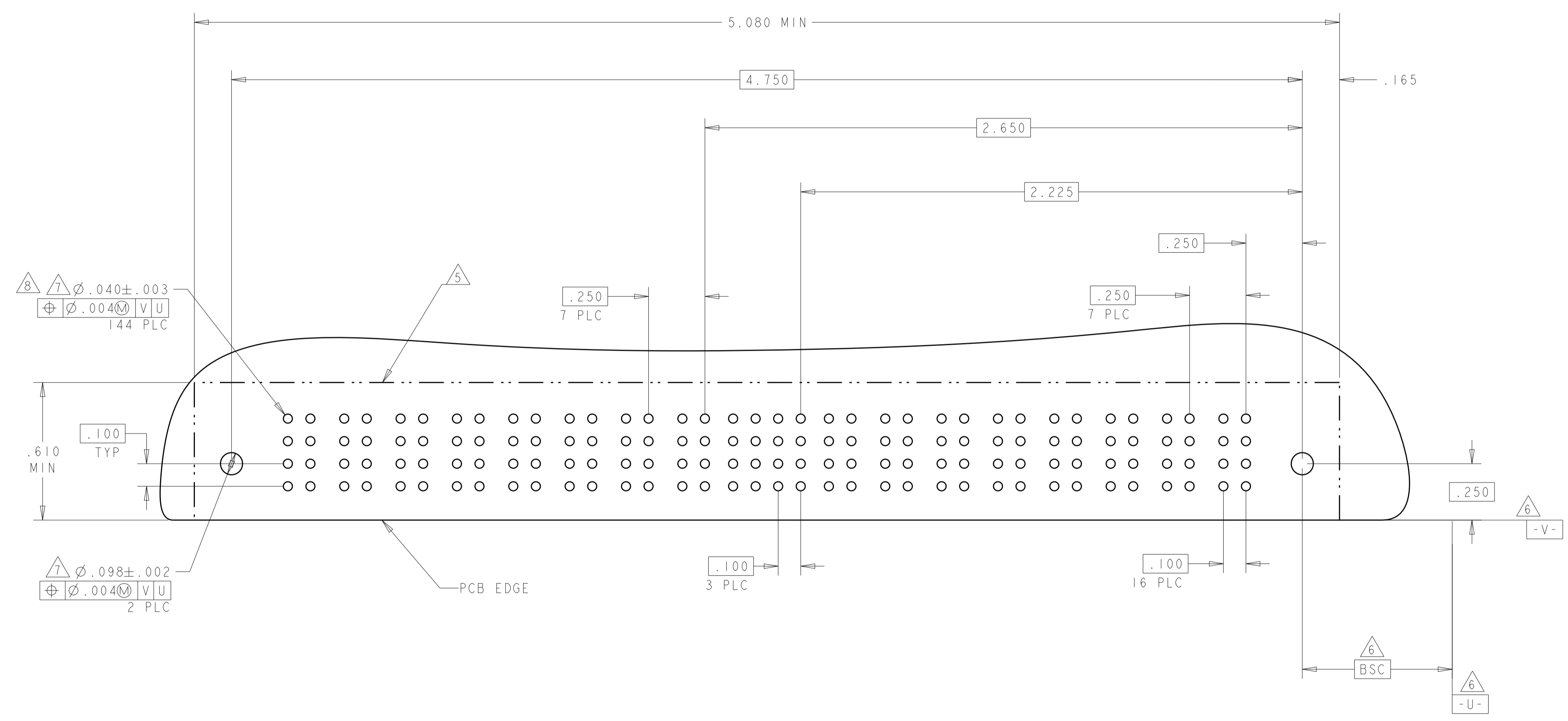
DIMENSIONS: INCHES  
 TOLERANCES UNLESS OTHERWISE SPECIFIED:  
 0 PLC ±  
 1 PLC ±.01  
 2 PLC ±.01  
 3 PLC ±.005  
 4 PLC ±.002  
 ANGLES ±.2°  
 FINISH

MATERIAL: Customer Drawing

LOC	DIST	REVISIONS			
P	LTN	DESCRIPTION	DATE	DMN	APVD
-	-	SEE SHEET 1	-	-	-

PART NUMBER	ROWS	POWER							SIGNAL				POWER								
		P16	P15	P14	P13	P12	P11	P10	P9	4	3	2	1	P8	P7	P6	P5	P4	P3	P2	P1
3-6450160-9	D									H	H	H	H								
	C	RM	RM	RM	RM	RM	RM	RM	RM	G	G	G	G	RM	RM	RM	RM	RM	RM	RM	
	B									F	F	F	F								
	A	HD								E	E	E	E								HD
8P + 16S + 8P																					

(D5)



THIS DRAWING IS A CONTROLLED DOCUMENT.

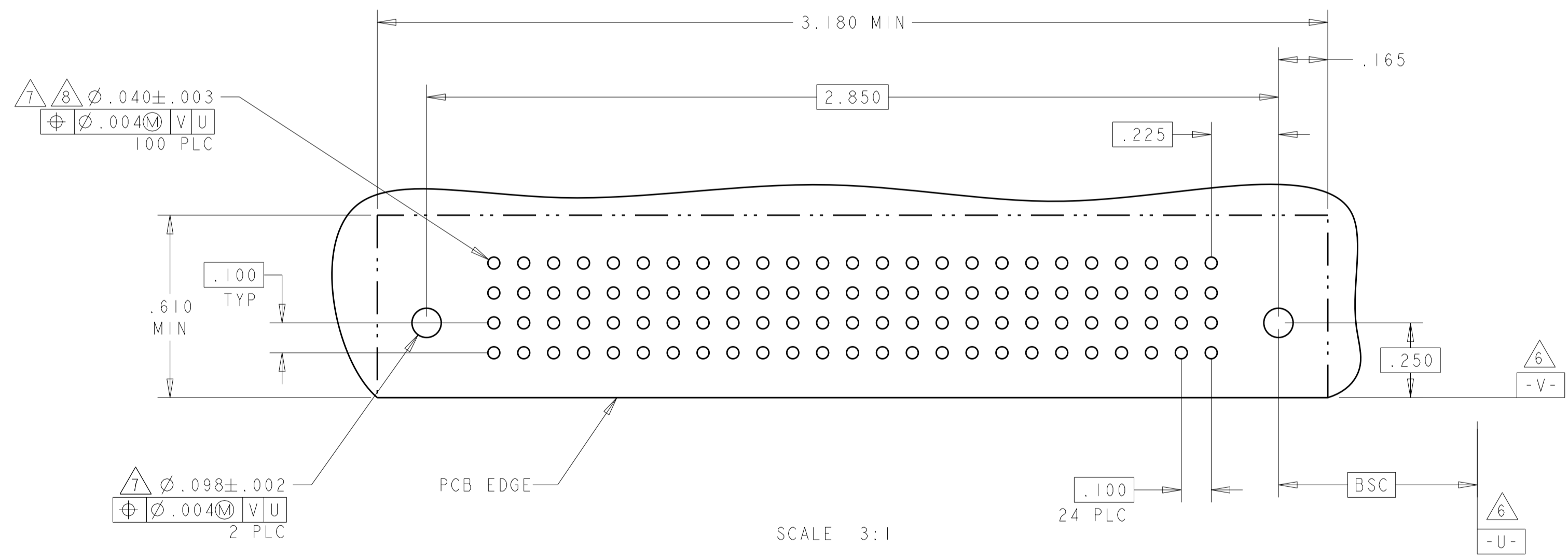
DIMENSIONS: INCHES	TOLERANCES UNLESS OTHERWISE SPECIFIED: 0 PLC ± 1 PLC ±.01 2 PLC ±.01 3 PLC ±.005 4 PLC ±.002 ANGLES ±2°	FINISH	DMN: R. GRZYBOWSKI 21FEB05 CHK: M. PERCHERKE 21FEB05 APVD: M. PERCHERKE 21FEB05	NAME: RIGHT ANGLE RECEPTACLE ASSEMBLY WITH GUIDES MULTI-BEAM XL
MATERIAL	PRODUCT SPEC: 108-1973 APPLICATION SPEC: 114-13038	WEIGHT: -	SIZE: A100779 CAGE CODE: C=6450160	RESTRICTED TO: -
Customer Drawing			SCALE: 3:1	SHEET 12 OF 16

4805 (3/11)



LOC	DIST	REVISIONS			
P	LTN	DESCRIPTION	DATE	DMN	APVD
-	-	SEE SHEET 1	-	-	-

PART NUMBER	ROWS	SIGNAL																							
		25	24	23	22	21	20	19	18	17	16	15	14	13	12	11	10	9	8	7	6	5	4	3	2
4-6450160-4	D	H	H	H	H	H	H	H	H	H	H	H	H	H	H	H	H	H	H	H	H	H	H	H	H
	C	G	G	G	G	G	G	G	G	G	G	G	G	G	G	G	G	G	G	G	G	G	G	G	G
	B	F	F	F	F	F	F	F	F	F	F	F	F	F	F	F	F	F	F	F	F	F	F	F	F
	A	E	E	E	E	E	E	E	E	E	E	E	E	E	E	E	E	E	E	E	E	E	E	E	E
100S		HD																							HD



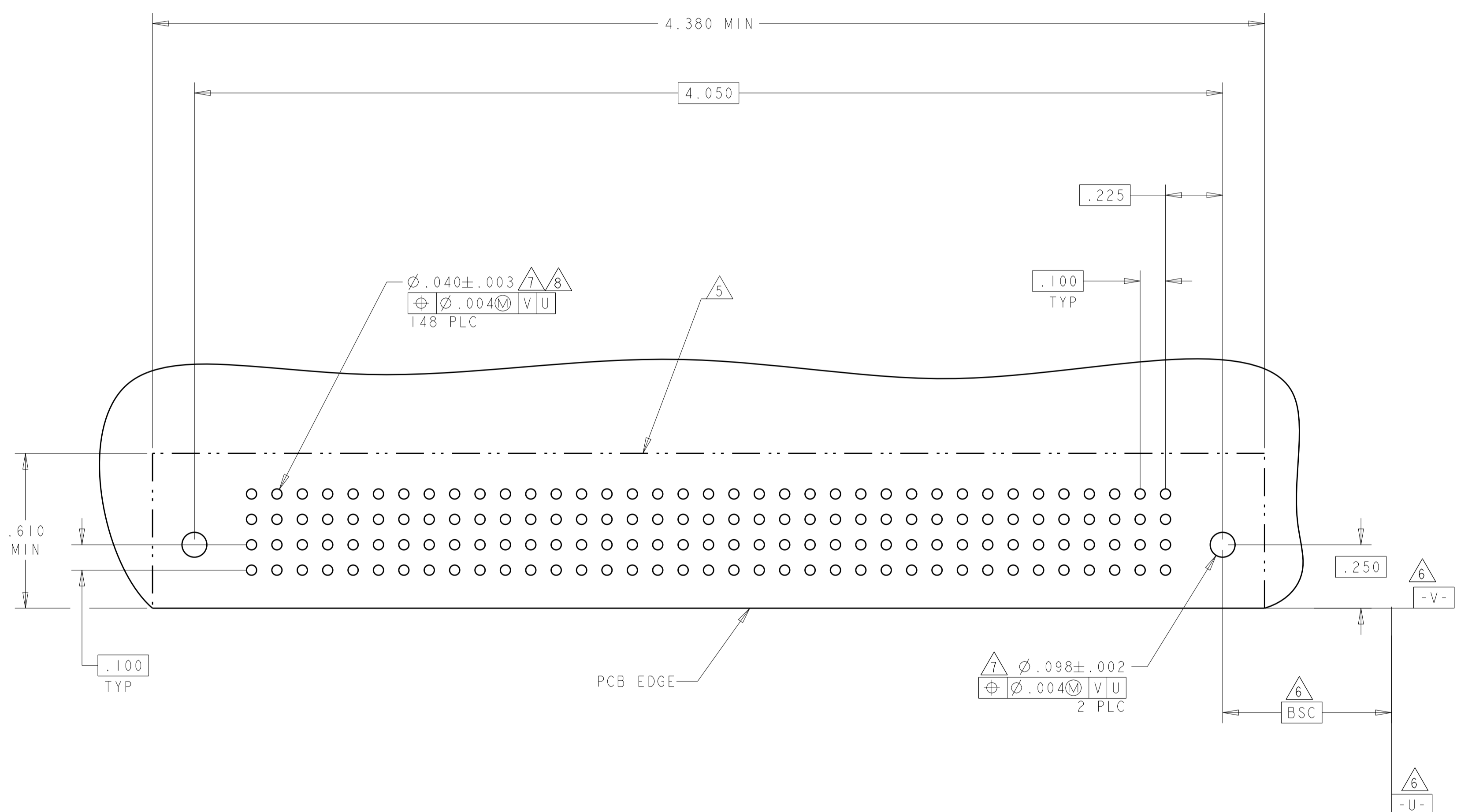
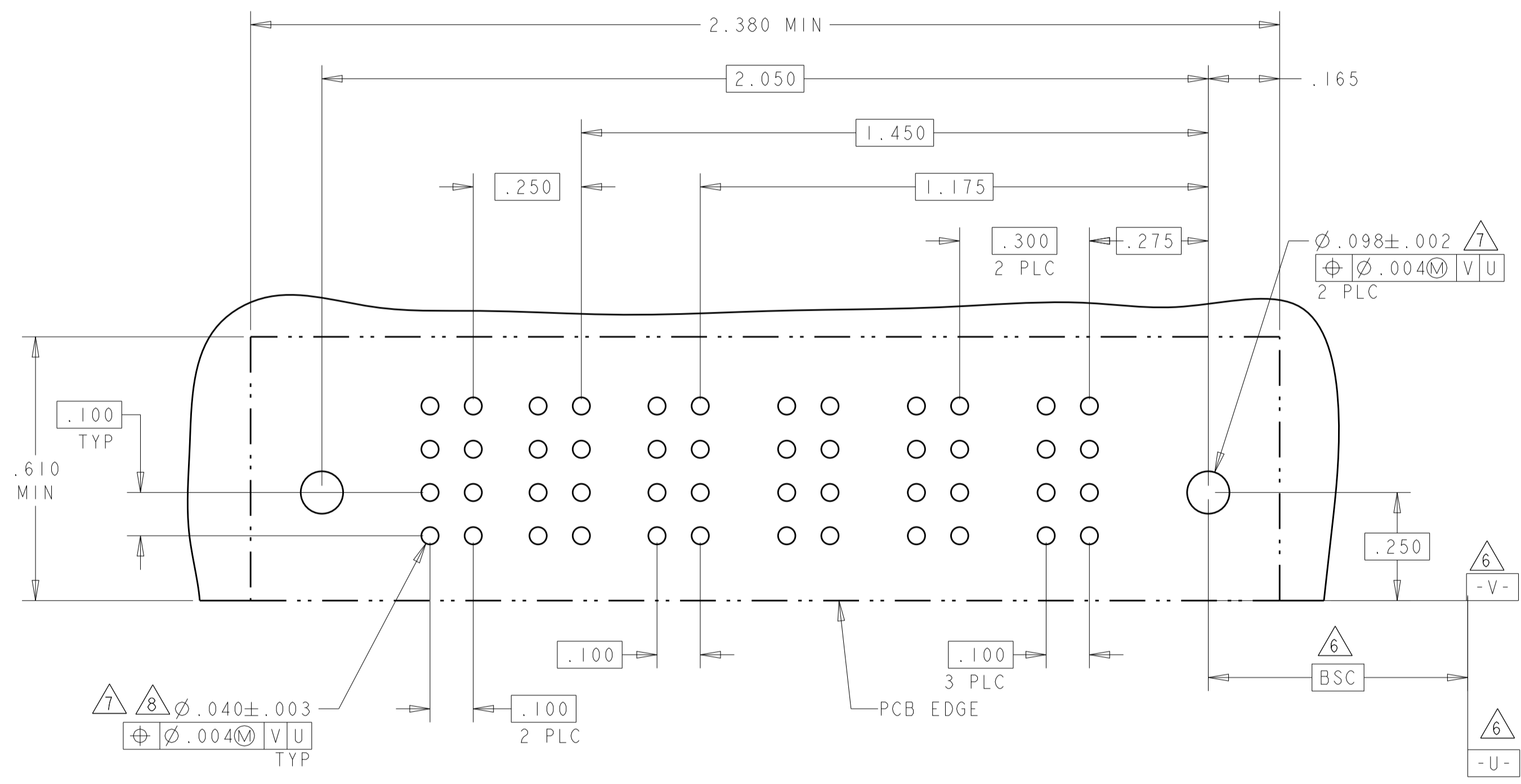
SCALE 3:1

THIS DRAWING IS A CONTROLLED DOCUMENT.		DMN R. GRZYBOWSKI CHK M. PERCHERKE APVD M. PERCHERKE	Z1FEB05 Z1FEB05 Z1FEB05	TE Connectivity NAME RIGHT ANGLE RECEPTACLE ASSEMBLY WITH GUIDES MULTI-BEAM XL
DIMENSIONS: INCHES	TOLERANCES UNLESS OTHERWISE SPECIFIED:	PRODUCT SPEC 108-1973 APPLICATION SPEC 114-13038 WEIGHT -		
0 PLC ±. 1 PLC ±. 2 PLC ±.01 3 PLC ±.005 4 PLC ±.002 ANGLES ±.2°	FINISH	SIZE A100779C=6450160 RESTRICTED TO -		
MATERIAL	Customer Drawing	SCALE 3:1	SHEET 14 OF 16	REV G1

LOC	DIST	REVISIONS			
P	LTN	DESCRIPTION	DATE	DMN	APVD
-	-	SEE SHEET 1	-	-	-

PART NUMBER	ROWS	POWER		SIGNAL		POWER			
		P5	P4	2	1	P3	P2	P1	
2-6450160-7	D	RM	RM	H	H	RM	RM	RM	
	C			G	G				
	B			F	F				
	A			E	E				
3ACP + 8S + 2P		HD		HD					

PART NUMBER	ROWS	SIGNAL																																				
		37	36	35	34	33	32	31	30	29	28	27	26	25	24	23	22	21	20	19	18	17	16	15	14	13	12	11	10	9	8	7	6	5	4	3	2	1
4-6450160-6	D	H	H	H	H	H	H	H	H	H	H	H	H	H	H	H	H	H	H	H	H	H	H	H	H	H	H	H	H	H	H	H	H	H	H	H	H	H
	C	G	G	G	G	G	G	G	G	G	G	G	G	G	G	G	G	G	G	G	G	G	G	G	G	G	G	G	G	G	G	G	G	G	G	G	G	G
	B	F	F	F	F	F	F	F	F	F	F	F	F	F	F	F	F	F	F	F	F	F	F	F	F	F	F	F	F	F	F	F	F	F	F	F	F	F
	A	E	E	E	E	E	E	E	E	E	E	E	E	E	E	E	E	E	E	E	E	E	E	E	E	E	E	E	E	E	E	E	E	E	E	E	E	E
148S		HD																																				



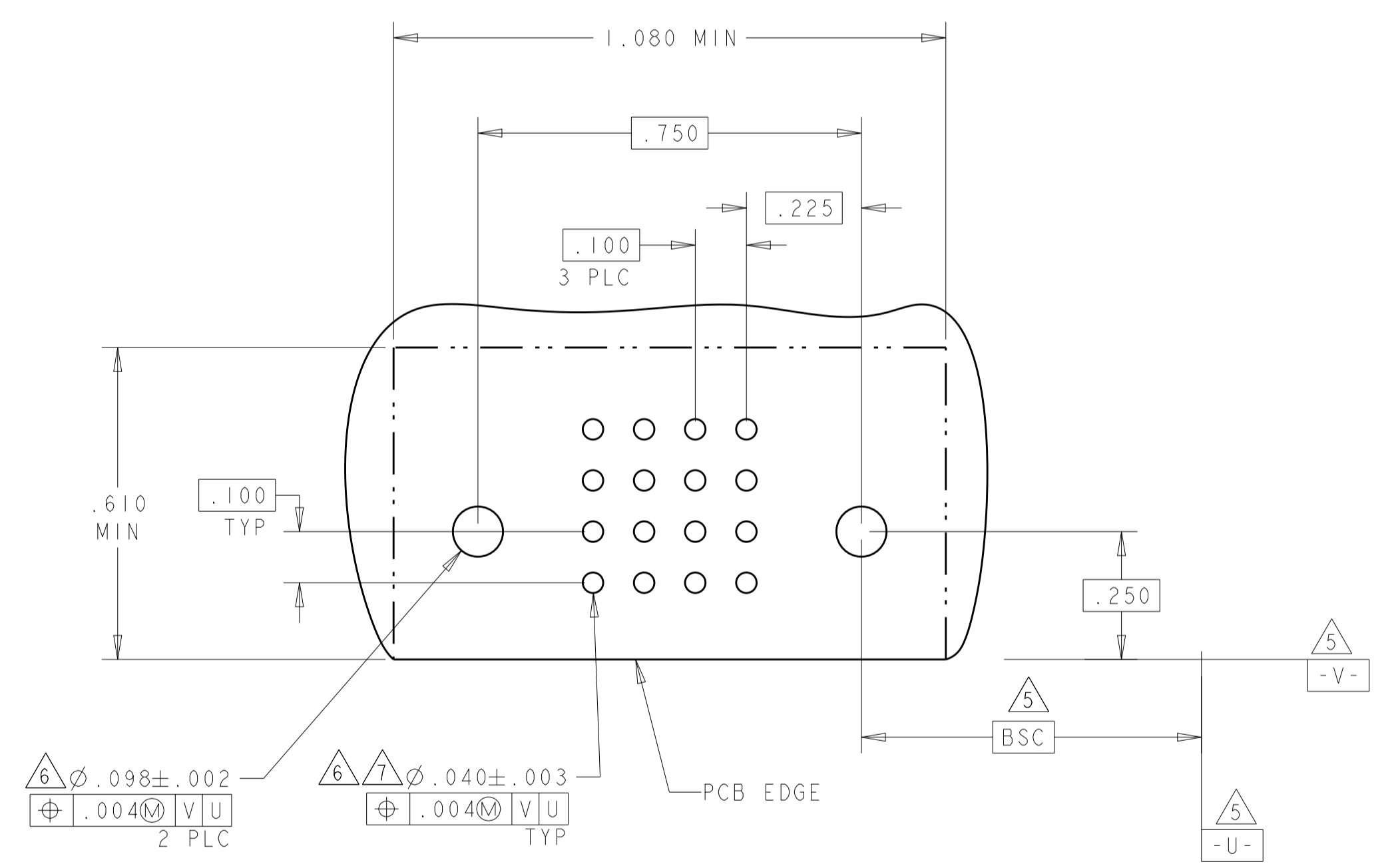
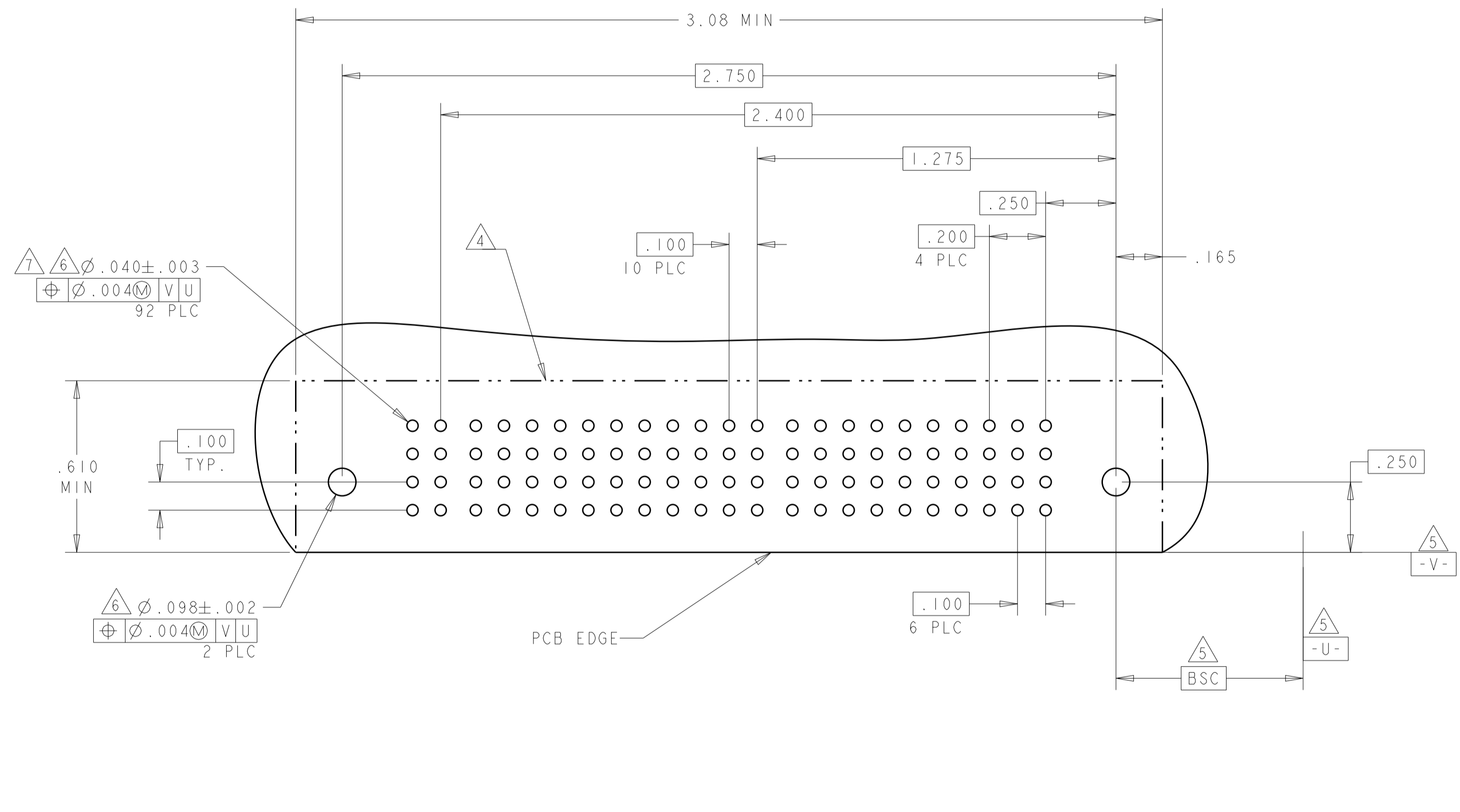
THIS DRAWING IS A CONTROLLED DOCUMENT.

DIMENSIONS:	TOLERANCES UNLESS OTHERWISE SPECIFIED:	OWN: R. GRZYBOWSKI	21FEB05		TE Connectivity
INCHES	0 PLC ±	CHK: M. PERCHERKE	21FEB05		NAME: RIGHT ANGLE RECEPTACLE ASSEMBLY WITH GUIDES MULTI-BEAM XL
	1 PLC ±.01	APVD: M. PERCHERKE	21FEB05		PRODUCT SPEC: 108-1973
	2 PLC ±.05				APPLICATION SPEC: 114-13038
MATERIAL:	FINISH: #2	SIZE: 114-13038	WEIGHT:	RESTRICTED TO:	
		CAGE CODE: A100779	DRAWING NO: C=6450160	SCALE: 3:1	SHEET 15 OF 16
		Customer Drawing		REV: G1	

LOC	DIST	REVISIONS			
P	LTN	DESCRIPTION	DATE	OWN	APVD
-	-	SEE SHEET 1	-	-	-

PART NUMBER	ROWS	SIGNAL										POWER						
		P6	I1	I0	9	8	7	6	5	4	3	2	1	P5	P4	P3	P2	P1
4-6450160-8	D C B A	H	H	H	H	H	H	H	H	H	H	H	RM	RM	RM	RM	RM	RM
		G	G	G									RM	RM	RM	RM	RM	RM
		F	F										RM	RM	RM	RM	RM	RM
		E	E	E	E	E	E	E	E	E	E	E	RM	RM	RM	RM	RM	RM
5P + 44S + IP		HD																HD

PART NUMBER	ROWS	SIGNAL			
		4	3	2	1
4-6450160-9	D	H	H	H	H
	C	G	G	G	G
	B	F	F	F	F
	A	E	E	E	E
16S		HD			HD



THIS DRAWING IS A CONTROLLED DOCUMENT.		OWN: R. GRZYBOWSKI 21FEB05	TE Connectivity
DIMENSIONS: INCHES		CHK: M. PERCHERKE 21FEB05	
TOLERANCES UNLESS OTHERWISE SPECIFIED:		APVD: M. PERCHERKE 21FEB05	NAME: RIGHT ANGLE RECEPTACLE ASSEMBLY WITH GUIDES MULTI-BEAM XL
0 PLC ±. 1 PLC ±.01 2 PLC ±.01 3 PLC ±.005 4 PLC ±.002 ANGLES ±.2°		PRODUCT SPEC: 108-1973	SIZE: CAGE CODE DRAWING NO: A100779C=6450160
MATERIAL: FINISH:		APPLICATION SPEC: 114-13038	RESTRICTED TO: -
WEIGHT:		Customer Drawing	SCALE: 3:1 SHEET 16 OF 16 REV: G1



## X-ON Electronics

Largest Supplier of Electrical and Electronic Components

*Click to view similar products for [Power to the Board](#) category:*

*Click to view products by [TE Connectivity](#) manufacturer:*

Other Similar products are found below :

[10131318-08512GRLF](#) [6450171-4](#) [6450552-7](#) [6600323-8](#) [6643429-1](#) [6646040-2](#) [6651939-1](#) [6766604-1](#) [120959-1](#) [1393557-2](#) [1393532-2](#)  
[1393532-3](#) [1393532-4](#) [1393557-1](#) [1600812-5](#) [1-6450861-2](#) [1645595-1](#) [1743490-1](#) [1744132-7](#) [1761122-1](#) [1766169-1](#) [1766250-1](#) [18362](#)  
[1892109-1](#) [1-967627-6](#) [2226808-1](#) [2-6450860-5](#) [2-6450860-6](#) [2-6450870-0](#) [93003-0502](#) [953552-1](#) [1-6450161-4](#) [1-6450850-6](#) [1645526-2](#) [1-](#)  
[6600130-0](#) [1743419-1](#) [1766150-1](#) [2005243-2](#) [211110-1](#) [2-6600130-2](#) [TE34-12-16P-F0](#) [5-6450830-6](#) [5646956-4](#) [36662-0005](#) [40585-3000](#) [4-](#)  
[6450830-9](#) [4-6600333-3](#) [51142-0214](#) [10134048-911LF](#) [10130248-005LF](#)