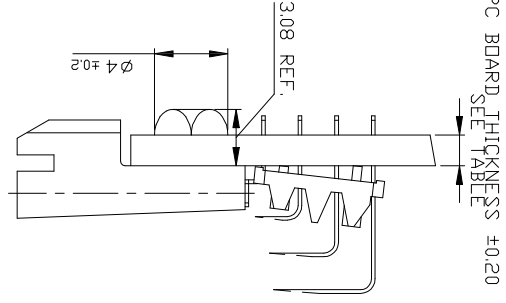
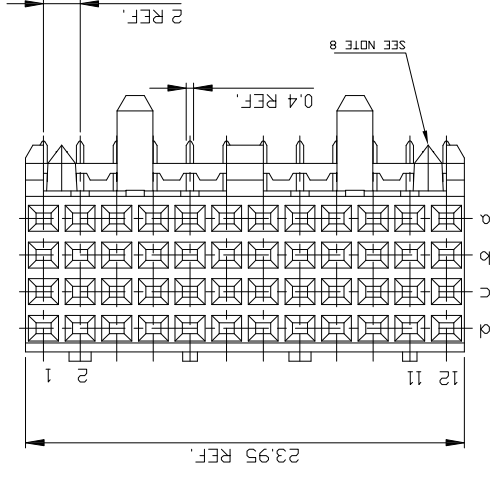
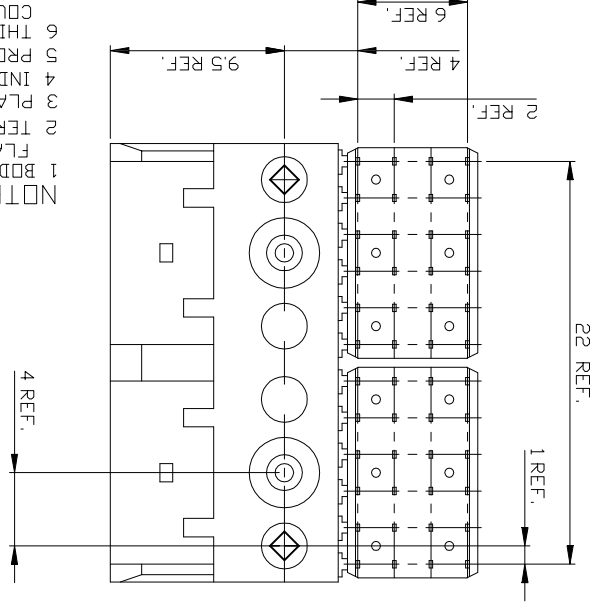
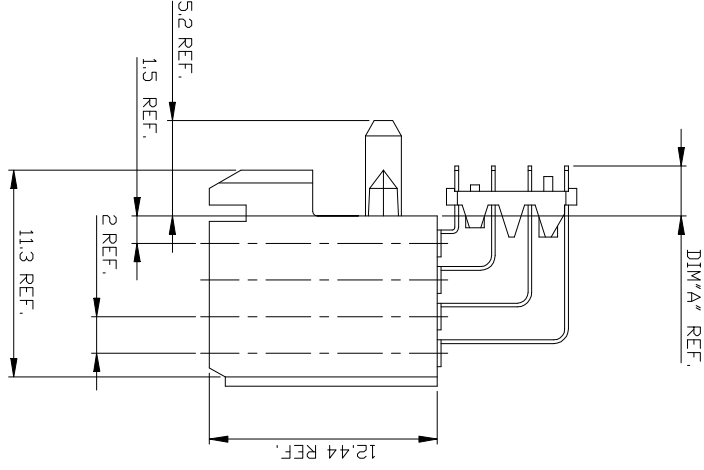
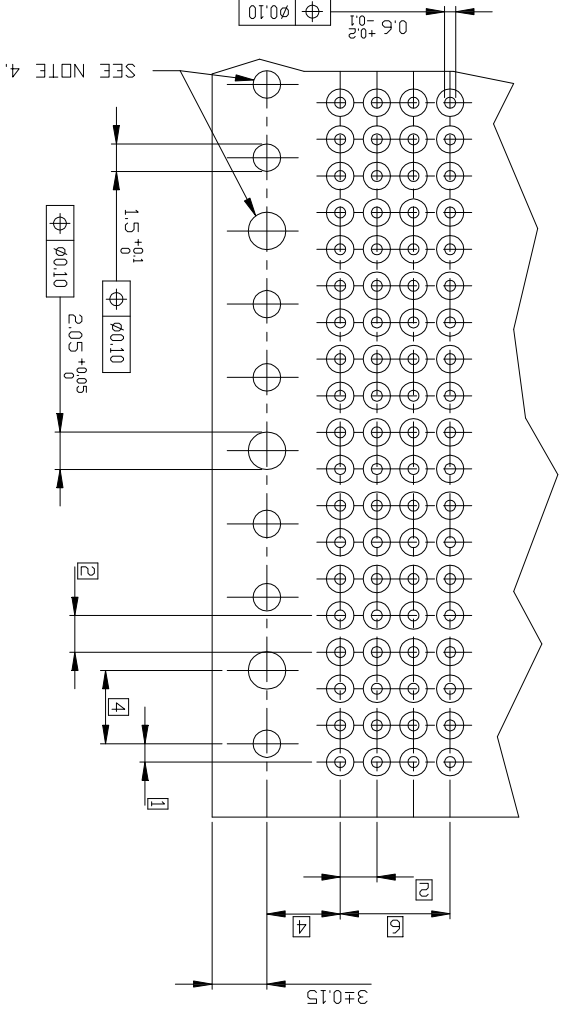


PC BOARD VERSIONS	
PRODUCTNR:	PCB THICKNESS DIM"A"
70228-X01/X01LF	1,6
70228-X11/X11LF	2,4
70228-X11/X11LF	3,53



- NOTES:
- 1 BODY MAT'L: LIQUID CRYSTAL POLYMER 30% GLASS
 - 2 FLAME RETARDANT ACC. UL 94-V0
 - 3 TERMINAL MATERIAL: PHOSPHOR BRONZE.
 - 4 INDICATED HOLES ARE UNPLATED.
 - 5 PRODUCTMARKING: PARTNUMBER & BATCH ID.
 - 6 THIS PRODUCT MEETS EUROPEAN UNION DIRECTIVES AND OTHER COUNTRY REGULATIONS AS DESCRIBED INGS-22-008.
 - 7 THE HOUSING WILL WITHSTAND EXPOSURE TO 260DEGREE PEAK TEMPERATURE FOR 10 SECONDS IN A WAVE SOLDER APPLICATION.
 - 8 DIAMOND LOCATION PEG ARE ONLY EXISTED ON THE BOTH SIDES OF PRODUCT.

RECOMMENDED HOLE PATTERN,
COMPONENT SIDE.



mat'l. code		otherwise specified		CUSTOMER COPY	
tech n°	date	linear	angles	projection	title
K	0604-0104	CLD	04/251		RA FEMALE SIGNAL
L	0606-0417	Ccm	11/17/06		STB 24 mm VERSION
M	0607-0168	Ccm	05/10/07		
N	0609-0068	Ccm	06/06/09		
product family METRAL(tm)		product no		code	
70228		A2		213	
sheet 1 of 3		scale		index	
		5:1		sheet revision	
				N N	
				J V00878	
				LTA 000316	
				Cmpt h. von Zentem	
				900918	
				Cmpt h. von Voessel	
				900918	

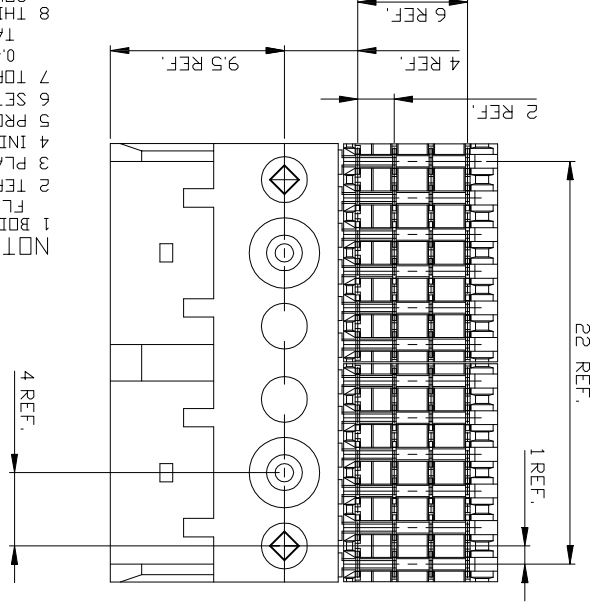
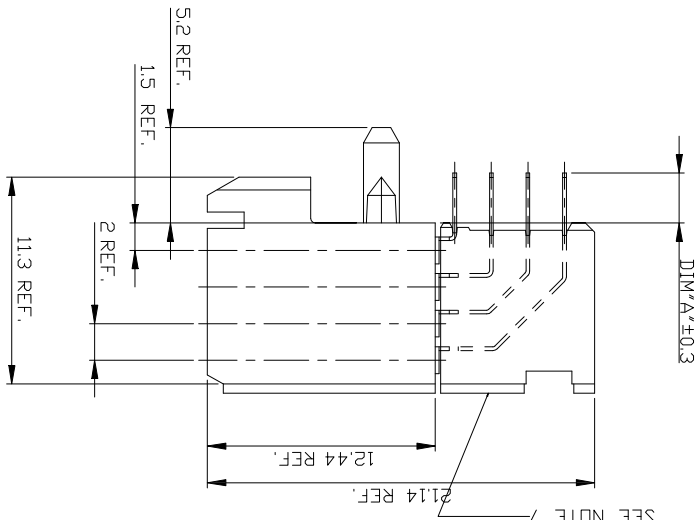
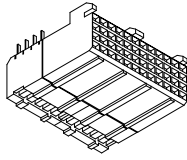


Tous droits strictement reserves. Reproduction ou communication a des tiers interdite sans autorisation écrite du propriétaire.

All rights strictly reserved. Reproduction or issue to third parties in any form without the prior written permission of the proprietor.

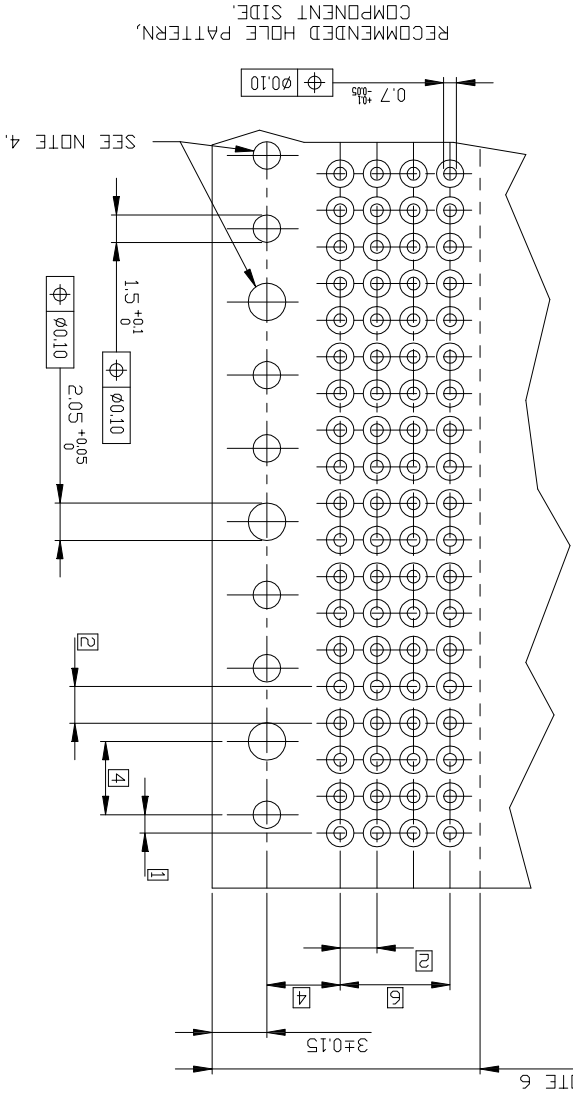
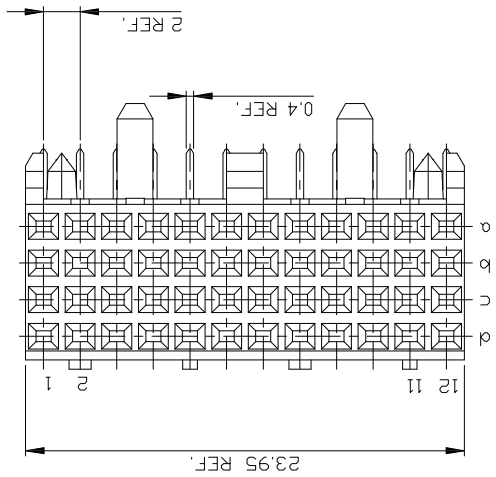
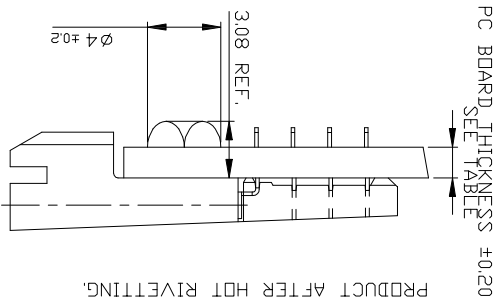
FCI

PC BOARD VERSIONS	
PRODUCTNR:	70228-X02/X02LF
PCB THICKNESS DIM"A"	1,6
	2,90
	70228-X12/X12LF
	2,4
	3,53



PLATING CONTACT AREA:	
DASH NR:	-1YY/1YYLF
PERFORMANCE LEVEL	TELCORDIA CO
	-2YY/2YYLF
	CUSTOMER SPECIAL
	-3YY/3YYLF
	CUSTOMER SPECIAL

- NOTES:
- 1 BODY MAT'L: LIQUID CRYSTAL POLYMER 30% GLASS
 - 2 TERMINAL MATERIAL: PHOSPHOR BRONZE.
 - 3 PLATING SOLDERTAILS 2-8 μm SnPb 90-97 OR 2-8 μm PURE Sn
 - 4 INDICATED HOLES ARE UNPLATED.
 - 5 PRODUCT MARKING: PARTNUMBER & BATCH ID.
 - 6 SET BACK FOR PRESS BLOCK.
 - 7 TOP SURFACE OF PRESS BLOCK MAY EXTEND UP TO 0.4MM HIGHER THAN HOUSING. APPLICATION TO A BOARD
 - 8 THIS PRODUCT MEETS EUROPEAN UNION DIRECTIVES AND OTHER COUNTRY REGULATIONS AS DESCRIBED IN GS-22-008.
 - 9 THE HOUSING WILL WITHSTAND EXPOSURE TO 260DEGREE PEAK TEMPERATURE FOR 10 SECONDS IN A WAVE SOLDER APPLICATION.
 - 10 DIAMOND LOCATION PEG ARE ONLY EXISTED ON THE BOTH SIDES OF PRODUCT.

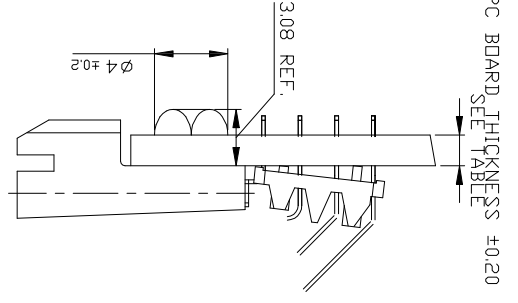
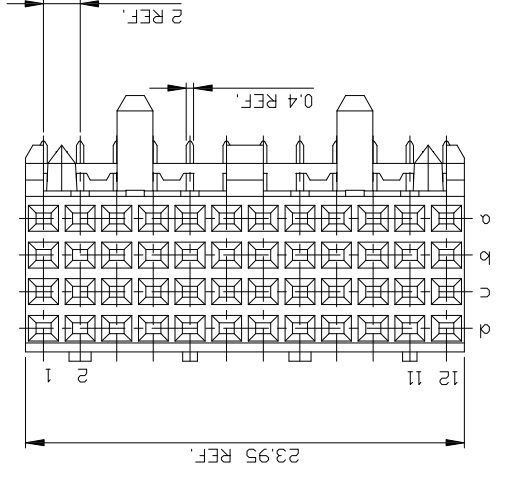
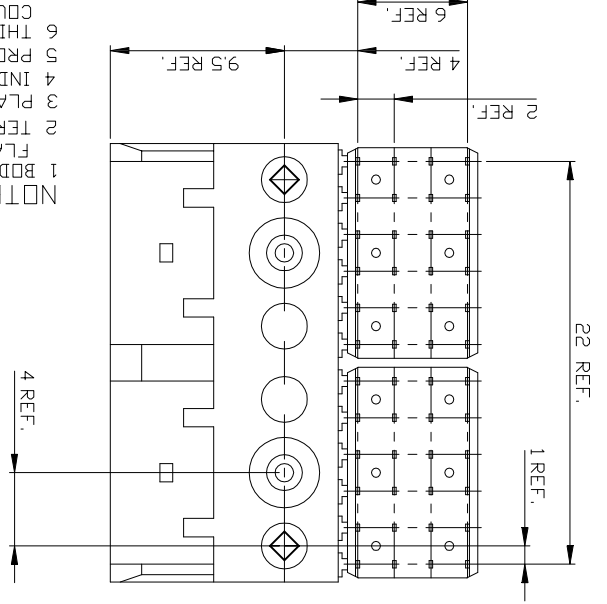
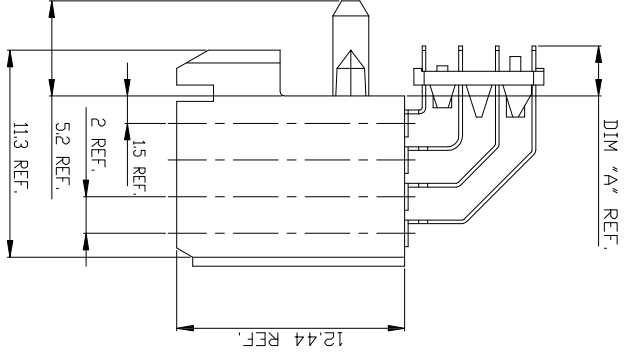


mat'l. code		tolerances unless otherwise specified		CUSTOMER COPY	
N	linear				
	angles				
	dr	D de Bill	970529		
	engr	P. Schalk	970529		
	chr	P. Schalk	970529		
	appr	H. Coolmans	970529		
	scale		5:1		
	product family	RA FEMALE SIGNAL			
	sizing no	STB 24 MM VERSION			
	code	70228			
	sheet	2 of 2			

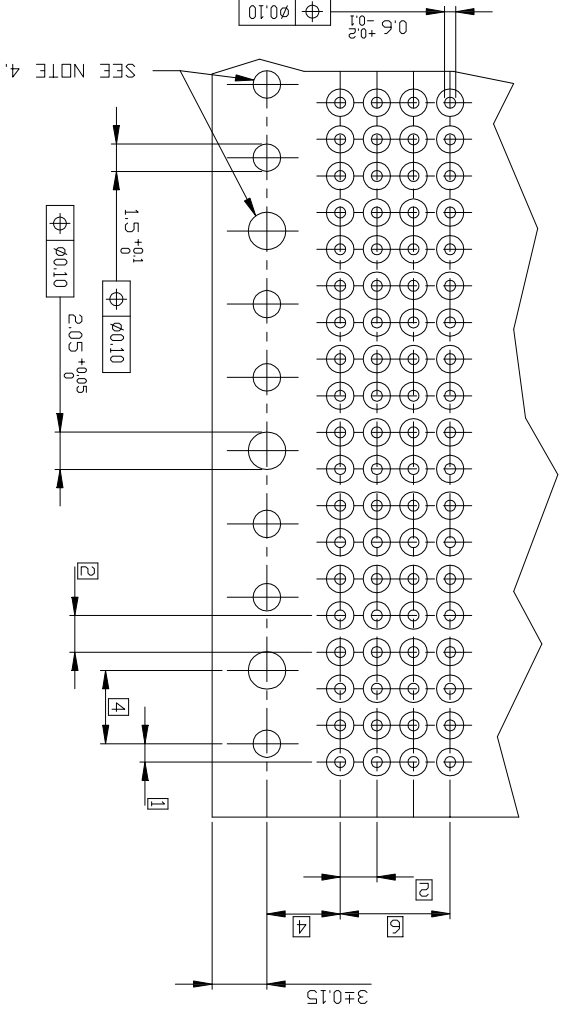
8 7 6 5 4 3 2 1

Form A2
All rights strictly reserved. Reproduction or issue as third parties in any form without the prior written permission of the proprietor.
Tous droits strictement réservés. Reproduction ou communication à des tiers sans autorisation écrite du propriétaire.
© FCI bv

PC BOARD VERSIONS	
PRODUCTNR:	PCB THICKNESS DIM"A"
70228-X03/X03LF	1,6
70228-X13/X13LF	2,4
70228-X13/X13LF	3,53



PRODUCT AFTER HOT RIVETING.



- NOTES:
- 1 BODY MAT'L: LIQUID CRYSTAL POLYMER 30% GLASS
 - 2 FLAME RETARDANT ACC. UL 94-V0
 - 3 PLATING SOLDERTAILS 2-8 um SnPb 90-97 OR 2-8 um PURE Sn
 - 4 INDICATED HOLES ARE UNPLATED.
 - 5 PRODUCTMARKING: PARTNUMBER & BATCH ID.
 - 6 THIS PRODUCT MEETS EUROPEAN UNION DIRECTIVES AND OTHER COUNTRY REGULATIONS AS DESCRIBED INGS-22-008.
 - 7 THE HOUSING WILL WITHSTAND EXPOSURE TO 260DEGREE PEAK TEMPERATURE FOR 10 SECONDS IN A WAVE SOLDER APPLICATION.
 - 8 DIAMOND LOCATION PEG ARE ONLY EXISTED ON THE BOTH SIDES OF PRODUCT.

PLATING CONTACT AREA:	
DASH NR:	PERFORMANCE LEVEL
-1YY/1YYLF	TELCORDIA CO
-2YY/2YYLF	CUSTOMER SPECIAL
-3YY/3YYLF	CUSTOMER SPECIAL

mat'l. code	
tolerances unless otherwise specified	CUSTOMER COPY
linear	projection
angles	dr Heaven Cen 11/17/06
engr Collins Lu 11/17/06	product family METRAL(™)
chr Beer Fu 11/17/06	scaling no
appd Joseph Hsia 11/17/06	size
scale 5:1	A2
sheet revision	70228
sheet 3 of 3	code 213

RECOMMENDED HOLE PATTERN, COMPONENT SIDE.



X-ON Electronics

Largest Supplier of Electrical and Electronic Components

Click to view similar products for [DIN 41612 Connectors](#) category:

Click to view products by [FCT Electronics](#) manufacturer:

Other Similar products are found below :

[09231126901](#) [PCN10F-24P-2.54DS\(72\)](#) [004.767](#) [02221602702](#) [024069](#) [602427301412000](#) [013275](#) [691327-1](#) [74670-0732](#) [74680-0340](#)
[75880-0015](#) [76453-0014](#) [86093159ALF](#) [923454](#) [QLC260R](#) [120X10099X](#) [120X10019X](#) [120X10089X](#) [120X10129X](#) [121A10039X](#)
[121A10309X](#) [122A10019X](#) [122A10029X](#) [122A10249X](#) [122A10669X](#) [122A11089X](#) [122A13089X](#) [121B10409X](#) [122A10089X](#)
[122A10129X](#) [122A10349X](#) [122A13359X](#) [1377391-4](#) [DIN-048CPC-SR1-MH](#) [1393583-2](#) [1393726-7](#) [140X10059X](#) [140X10129X](#) [143-1913-](#)
[000](#) [143-1908-000](#) [1484472-1](#) [173052](#) [2110070-1](#) [2110070-2](#) [CBC20T00-008FDS5-0-1-002VR](#) [983-0SE12-12P6](#) [17041102202](#) [172699-](#)
[5036](#) [173051](#) [20 8457096 010 025](#)