

# Power Supply Switch Mode

pro-POWER



## Descriptions:

These are a series of general purpose AC/DC adapters which convert 100V AC to 240V AC to a stabilized DC voltage of 5V with rated output current of 2,000mA. Please connect the electrical power first and then add the load when using this SMPS. The switching mode power supply meets the requirements of lead free and ROHS.

## Input Feature:

### Input Voltage and Frequency

The switching mode power supply shall meet all specifications when powered from the following sources.

Rating Voltage	Line Frequency	Minimum Voltage	Maximum Voltage
100-240V AC	50/60Hz	90V AC	264V AC

### Efficiency

The minimum efficiency shall be 73.37% under 115V AC/230V AC input and output full load.

### Input Current

The maximum input current shall be less than 0.45A.

### Input In-rush Current

Peak inrush current shall be limited to 50A.

### Input Leakage Current

The leakage current shall not exceed 0.25mA.

## Output Feature:

### Output Voltage and Current

The switching mode power supply shall have one regulated DC output voltage: 5V DC.

The table below defines the total regulation banding for the output, which includes line regulation, load regulation, transient response, and effects due to environmental conditions and aging. Voltage shall be measured at its output connector.

Output	Output Current Range		Output Voltage Range		Ripple & Noise
	Min	Max	Min	Max	Max.
5V	0A	2A	4.75V	5.25V	150m Vpp

Ripple & Noise Test: Add 0.1uF/50V ceramic capacitor and 10uF/50V aluminum electrolytic capacitor across the output terminal. Measured with 20MHz Bandwidth Oscilloscope.

### Dynamic Response

The load current of the output is changed between 25% and 75% under full load at 0.5A/ms; the excursion of the output shall not exceed 10% of the nominal output voltage. The output voltage shall be within 10% of the steady state voltage in 1ms.

### Startup and Turn-on Delay

The switching mode power supply shall be able to start up into a resistive load up to the maximum rated current with maximum load capacitance of 1,000uF. The elapsed time between the application of input power and the attainment of output voltage to the nominal value shall not exceed 3 seconds.

# Power Supply Switch Mode

pro-POWER

## Protection Feature:

### Over Current Protection

The switching mode power supply shall withstand a continuous over current without damage. It may be applied before power-up, or after power-up. The switching mode power supply shall perform normally again after the over current is removed.

### Short Circuit Protection

Short circuit will not cause the switching mode power supply to damage, or any safety hazards. It shall perform normally again after the short circuit is removed.

## Safety Standards:

### Safety

The switching mode power supply has approved by the following safety standards:

\*UL60950 EN 60950

### Dielectric Strength (HI-POT)

Input to Output Terminal : 4,242V DC 3Sec ≤5mA.

Input to Case : 4,242V DC 3Sec ≤5mA.

When DC voltage of 4.24KV is applied, and the voltage applied to the insulation under test, it gradually rises from zero to the prescribed voltage in 1s, and holds at the value for 3s between the input and output, and between the input and housing, the current sensitivity shall be less than 5mA, after the test, the switching mode power supply shall exhibit no electrical and mechanical abnormalities.

## Reliability:

### Burn-in

The burn-in test will be performed at least 3 hours at 25 degrees centigrade under full load.

### MTBF

When the operation is complying with this specification, the MTBF of switching mode power supply will be 25K hours at 25°C.

## Mechanical Specifications:

Weight	: About 98g
Input socket	: UL/VDE/BS/SAA PLUG.
Output cord	: DCD0997, 20AWG UL2464, 1.2M Black
Output Connector	: MICRO-B 5PIN

## Environmental Conditions:

The switching mode power supply shall meet all requirements of this specification on any combination of operation ambient conditions and after exposure to any combination of non-operation ambient conditions specified in this section.

### Temperature

Operating Temperature	: 0°C to 40°C
Storage Temperature	: -20°C to 60°C

### Humidity

Operating Humidity	: 10% to 90% ( non condensing)
Relative Humidity	: 5% to 95% ( non condensing)

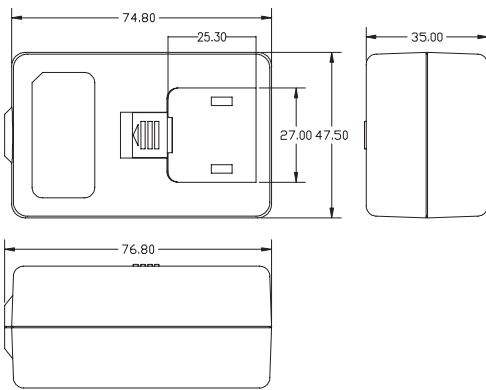
# Power Supply Switch Mode

pro-POWER

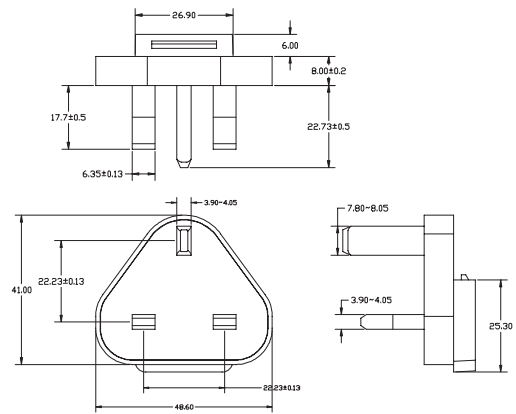
## Main Measurement Equipments:

A. AC Source	: YOKOGAWA JL-1005A-500W
B. Power Meter	: Everfine YF9901
C. Electronic Load	: Yokogawa IT8511
D. Oscilloscope	: Matrix Mos-620CH 20MHZ
E. Digital Multimeter	: Victor Vc890D
F. DC Power	: RS1305DN
G. HI-POT Tester	: CHANGSHENG CS2670
H. Insulation Resistance Tester	: TRANST TR7122

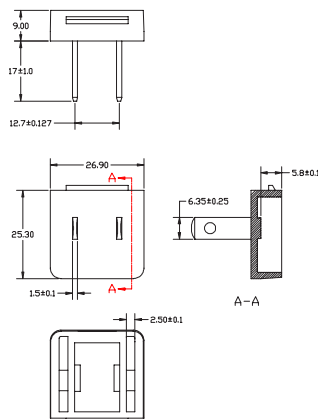
## Case Drawing:



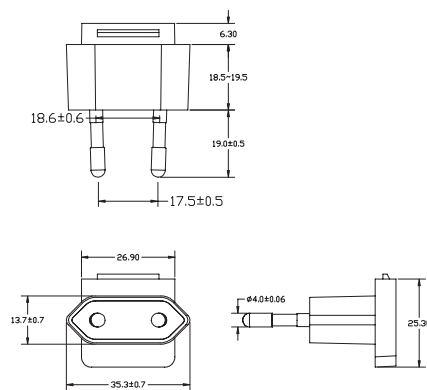
Case



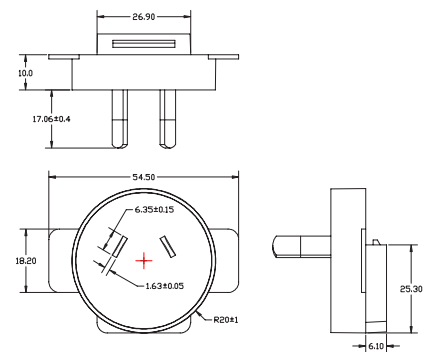
BS Pin



UL Pin



VDE Pin



SAA Pin

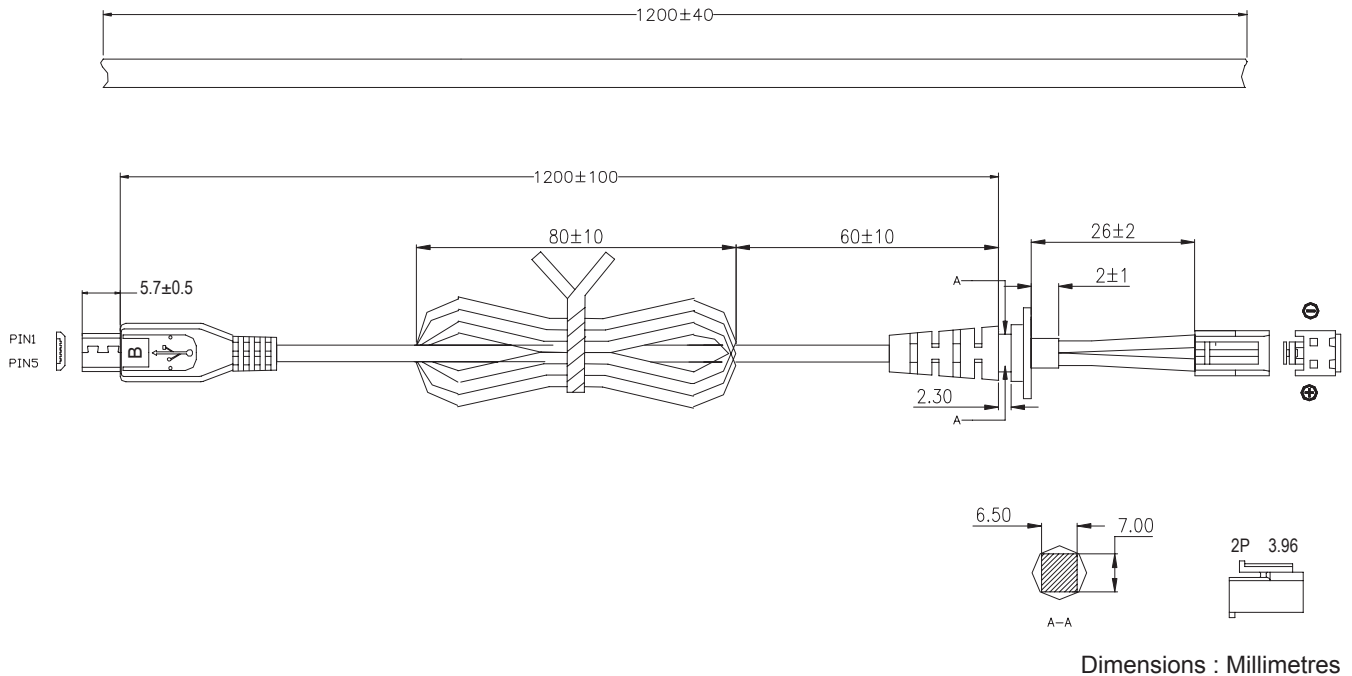
Dimensions : Millimetres

pro-POWER

# Power Supply Switch Mode

pro-POWER

## DC Cable Drawing:



## Part Number Table

Description	Part Number
Powersupply, USB, 5V, 2A, INTNL	DYS152-050200W-K

**Important Notice :** This data sheet and its contents (the "Information") belong to the members of the Premier Farnell group of companies (the "Group") or are licensed to it. No licence is granted for the use of it other than for information purposes in connection with the products to which it relates. No licence of any intellectual property rights is granted. The Information is subject to change without notice and replaces all data sheets previously supplied. The Information supplied is believed to be accurate but the Group assumes no responsibility for its accuracy or completeness, any error in or omission from it or for any use made of it. Users of this data sheet should check for themselves the Information and the suitability of the products for their purpose and not make any assumptions based on information included or omitted. Liability for loss or damage resulting from any reliance on the Information or use of it (including liability resulting from negligence or where the Group was aware of the possibility of such loss or damage arising) is excluded. This will not operate to limit or restrict the Group's liability for death or personal injury resulting from its negligence. pro-POWER is the registered trademark of the Group. © Premier Farnell plc 2012.

[www.element14.com](http://www.element14.com)  
[www.farnell.com](http://www.farnell.com)  
[www.newark.com](http://www.newark.com)  
[www.cpc.co.uk](http://www.cpc.co.uk)

pro-POWER

# X-ON Electronics

Authorized Distributor

*Click to view similar products for [Pro Power manufacturer](#).*

Other Similar products are found below :

[PPCY4C075100M](#) [PPCY3C10050M](#) [PPC217](#) [PP001328](#) [PP001316](#) [PP001109](#) [PP001088](#)

[PP000940](#) [PP030](#) [PP000909](#) [PP001326](#) [PP001308](#) [PP000877](#) [PP000868](#) [PP000704](#)

[PP001163](#) [PP001156](#) [PP001085](#) [PP000510](#) [PP001076](#) [PP000944](#) [PP000914](#) [PP000407](#)

[PP000386](#) [PP000870](#)