

DOUBLE POLE ROCKER SWITCH

FR Series



Features

- High current switching in a compact package
- Single-pole and double-pole configurations
- Available in a wide variety of colors
- Mechanical life: min. 50.000 operations

Specifications

Electrical

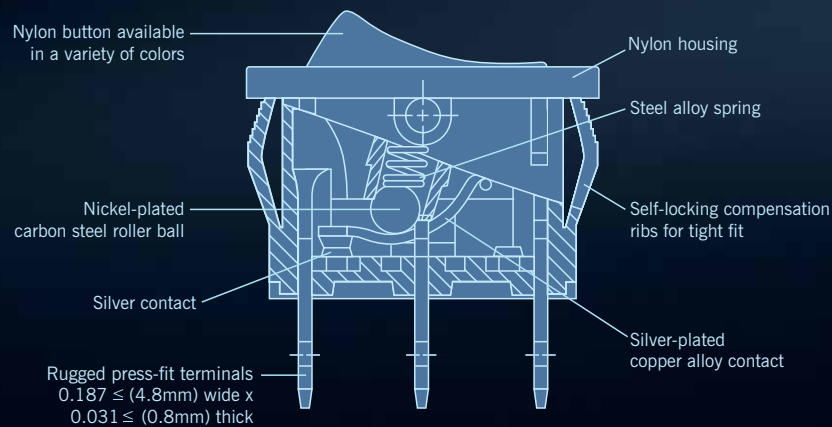
Dielectric Strength:	1.000 VAC for 1 minute
Insulation Resistance:	10 ⁸ Ohm min. at 500 VDC
Initial Contact Resistance:	0,030 ohms max
Ambient temperature:	-20°C to +125°C (VDE) -20°C to +55°C (UL)

Materialdaten

Actuator:	Nylon 66 94V-2
Case:	Nylon 66 94V-2
Spring:	Steel Wire
Contacts:	Silver Alloy
Movable Arm:	Silver-Plated Copper Alloy
Terminals:	Tin-Plated Copper Alloy

Electrical Ratings

Switch Series	EN61058 Rating	UL1054 Rating	Electrical Life at Rated Load	
			According to VDE (Min. Operations)	According to UL (Min. Operations)
FR	16(4)A, 250V~, T125/55	12 A, 125/250 VAC	10.000	6.000



DOUBLE POLE ROCKER SWITCH

FR Series

Examples of Common Part Numbers and Descriptions inches (mm)

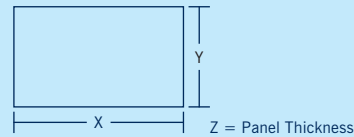
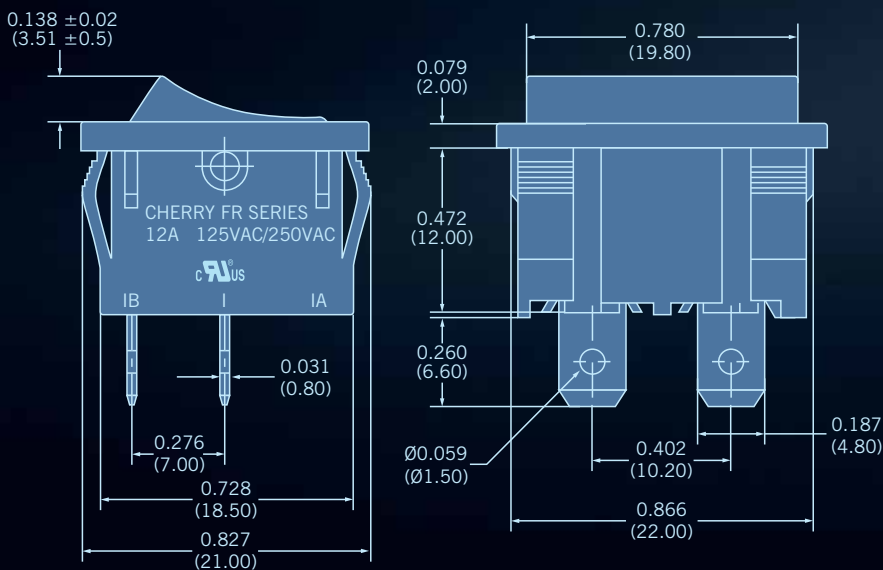
Part Number	Circuitry	Switch Function	Terminal Type	Actuator/Housing Color	Legend Marking
FRH32A2DBBNN		On – Off	0.187 (4.80) Quick-Connect	Black/Black	
FRH33A2BBBNN		On – On	0.187 (4.80) Quick-Connect	Black/Black	
FRH32A2BBBNN		On – Off	0.187 (4.80) Quick-Connect	Black/Black	
FRH32A2FWWNN		On – Off	0.187 (4.80) Quick-Connect	White/White	
FRH32A2BBWNN		On – Off	0.187 (4.80) Quick-Connect	White/Black	
FRH32A2FBBNN		On – Off	0.187 (4.80) Quick-Connect	Black/Black	

Ordering Information

FR Series	H Code 2 Single-Pole 3 Double-Pole	2 Code 2 On – Off 3 On – On	A Code 2 Curve	F Code B Black W White Y Grey	B Code B Black G Green D Orange R Red W White Y Grey	N Code N Non-Lighted	N Code N No Rocker Boot
Code H	Contact Rating 12A, 125/250VAC (UL) 16(4)A 250 V~, T125 (VDE)	Code A	Terminal Type inches (mm) 0.187 (4.8) QC	Code B	Actuator Marking Blank	Code N	Splashproof No Rocker Boot
		Code U	Terminal Type inches (mm) 0.118 (3.0) Solder Tag	Code D	Actuator Color Black		
				Code E	Actuator Color Green		
				Code F	Actuator Color Orange		
				Code G	Actuator Color Red		
					Actuator Color White		
					Actuator Color Grey		

Specifications subject to change without notice.

Dimensions inches (mm)



Recommended Panel Cut-Out Dimensions

inches (mm)

Dim. Z	Dim. X	Dim. Y
0,75 to 1,25	19,15	21,90
1,25 to 2,00	19,35	21,90
2,00 to 3,00	19,75	21,90

X-ON Electronics

Largest Supplier of Electrical and Electronic Components

Click to view similar products for [Rocker Switches](#) category:

Click to view products by [ZF Cherry](#) manufacturer:

Other Similar products are found below :

[VKD2GHNB-00000-000](#) [VSD2GNNB-00000-000](#) [6-1571986-5](#) [6-1571986-9](#) [632422-4B-KD](#) [7036WWCDBX653+U622](#) [8055K52Z7V](#)
[8138K20E6M50](#) [FMC18A2200002](#) [84206L](#) [84312LX](#) [PREDD4-07F-BB0FW](#) [PREDD5-07F-BB0GW](#) [PRFDD1-16F-BB000](#) [PRFDD3-16F-](#)
[BB000](#) [1-1634201-0](#) [999-16702-001](#) [A101J2ZQ004](#) [A101J4ZQ004](#) [A101J51CB0004](#) [A107J51ZQ0004](#) [A201J1AQ004](#) [A201J1AV2Q004](#)
[A201J3ZB004](#) [A201J50ZQ004](#) [A203J51ZQ0004](#) [A226L11YZQ](#) [A22L11A](#) [A435S1YZQ](#) [H8500XBBBBL-A](#) [H8653VBBG2577W](#)
[HB130CHNWWNAAC](#) [1251.0303](#) [AE205J60V3B004](#) [RH110C2NBB](#) [1352.0107](#) [1363.0201](#) [AML25GBF2AA03GR](#) [1571099-3](#) [1571987-4](#)
[1571987-5](#) [1571989-7](#) [B123J77V7B2](#) [B226J50W4Q22P](#) [B433J37ZQ22M](#) [160212E](#) [1801.1164](#) [1831.1102](#) [1833.3402](#) [1837.1118](#)