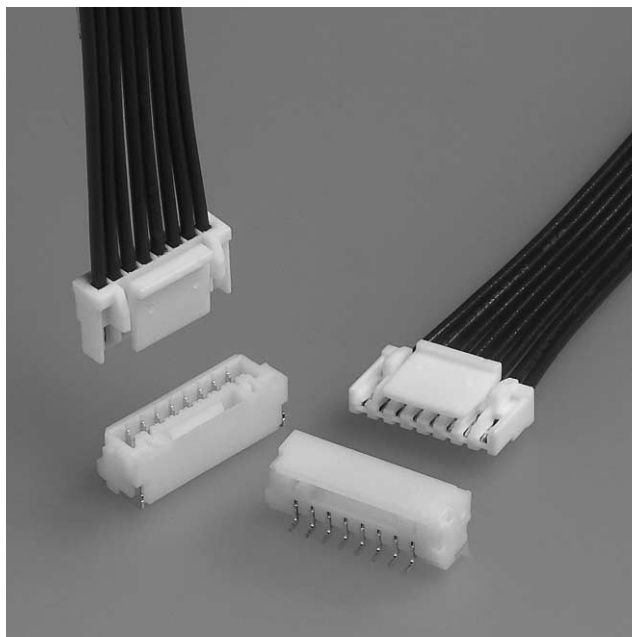


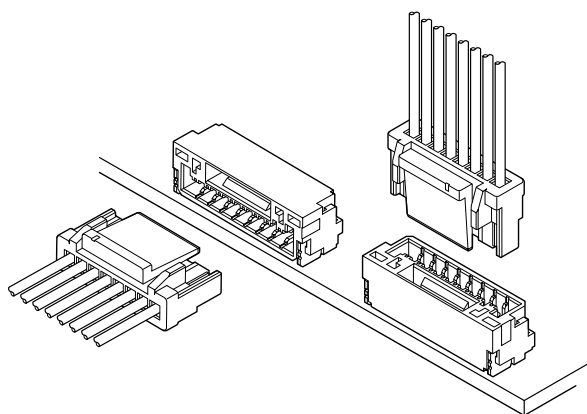
# GH CONNECTOR



Disconnectable Crimp style connectors



Developed for PDP, LCD or small electronics equipment. This low insertion type connector realizes easier mating operation. The basic concept of the contact part of this connector is equivalent to the performance proven SHL connector.



## Features

### • Secure locking structure

This innovative housing lock design achieves a locking device which is easy to handle as well as secure.

### • Contact lock structure

A contact lock provides a good "click feeling" when mated, which prevents improper mating during assembly.

### • Prevent deformation of contacts

Fork-shaped header contacts are supported by grooves on the housing walls designed to prevent deformation of contacts.

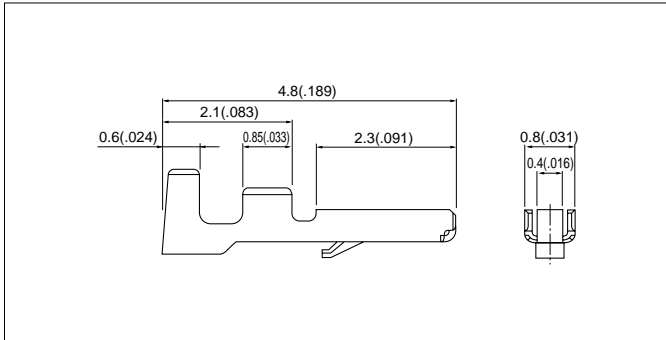
## Specifications

- Current rating: 1.0A AC, DC (AWG #26)
  - Voltage rating: 50V AC, DC
  - Temperature range: -25°C to +85°C  
(including temperature rise in applying electrical current)
  - Contact resistance: Initial value/30m Ω max.  
After environmental testing/50m Ω max.
  - Insulation resistance: 100M Ω min.
  - Withstanding voltage: 500V AC/minute
  - Applicable wire: AWG #30 to #26  
Insulation O.D./0.8 to 1.0mm (.031" to .039")
- \* Contact JST if Lead-Free product is required.  
\* Refer to "General Instruction and Notice when using Terminals and Connectors" at the end of this catalog.  
\* Contact JST for details.

## Standards

Recognized E60389

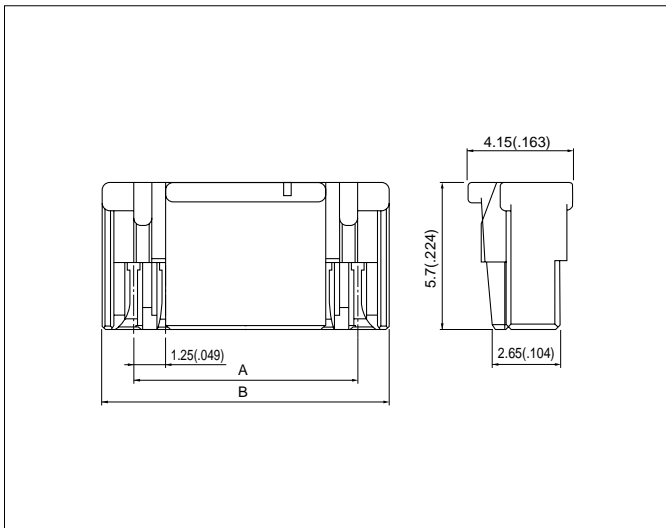
## Contact



Model No.	Applicable wire		Insulation O.D. mm(in.)	Q'ty / reel
	mm <sup>2</sup>	AWG#		
<b>SSHL-002T-P0.2</b>	0.05 to 0.13	30 to 26	0.8 to 1.0(.031 to .039)	23,000

Material and Finish	
Phosphor bronze, tin-plated	

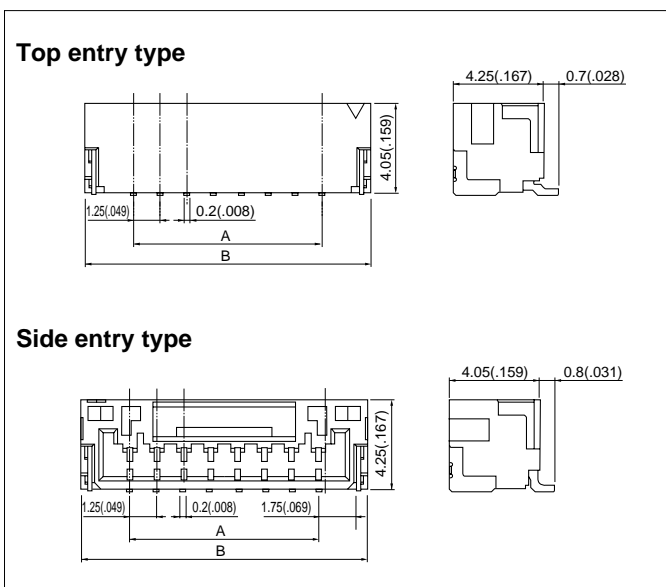
## Housing



Circuits	Model No	Dimensions mm(in.)		Q'ty / box
		A	B	
2	<b>GHR-02V-S</b>	1.25(.049)	3.75(.148)	4,000
3	<b>GHR-03V-S</b>	2.50(.098)	5.00(.197)	3,000
4	<b>GHR-04V-S</b>	3.75(.148)	6.25(.246)	2,500
5	<b>GHR-05V-S</b>	5.00(.197)	7.50(.295)	2,000
6	<b>GHR-06V-S</b>	6.25(.246)	8.75(.344)	1,500
7	<b>GHR-07V-S</b>	7.50(.295)	10.00(.394)	1,500
8	<b>GHR-08V-S</b>	8.75(.344)	11.25(.443)	1,000
9	<b>GHR-09V-S</b>	10.00(.394)	12.50(.492)	1,000
10	<b>GHR-10V-S</b>	11.25(.443)	13.75(.541)	1,000
11	<b>GHR-11V-S</b>	12.50(.492)	15.00(.591)	1,000
12	<b>GHR-12V-S</b>	13.75(.541)	16.25(.640)	1,000
13	<b>GHR-13V-S</b>	15.00(.591)	17.50(.689)	1,000
14	<b>GHR-14V-S</b>	16.25(.640)	18.75(.738)	500
15	<b>GHR-15V-S</b>	17.50(.689)	20.00(.787)	500

Material	
PBT, UL94V-0, natural	

## Shrouded header

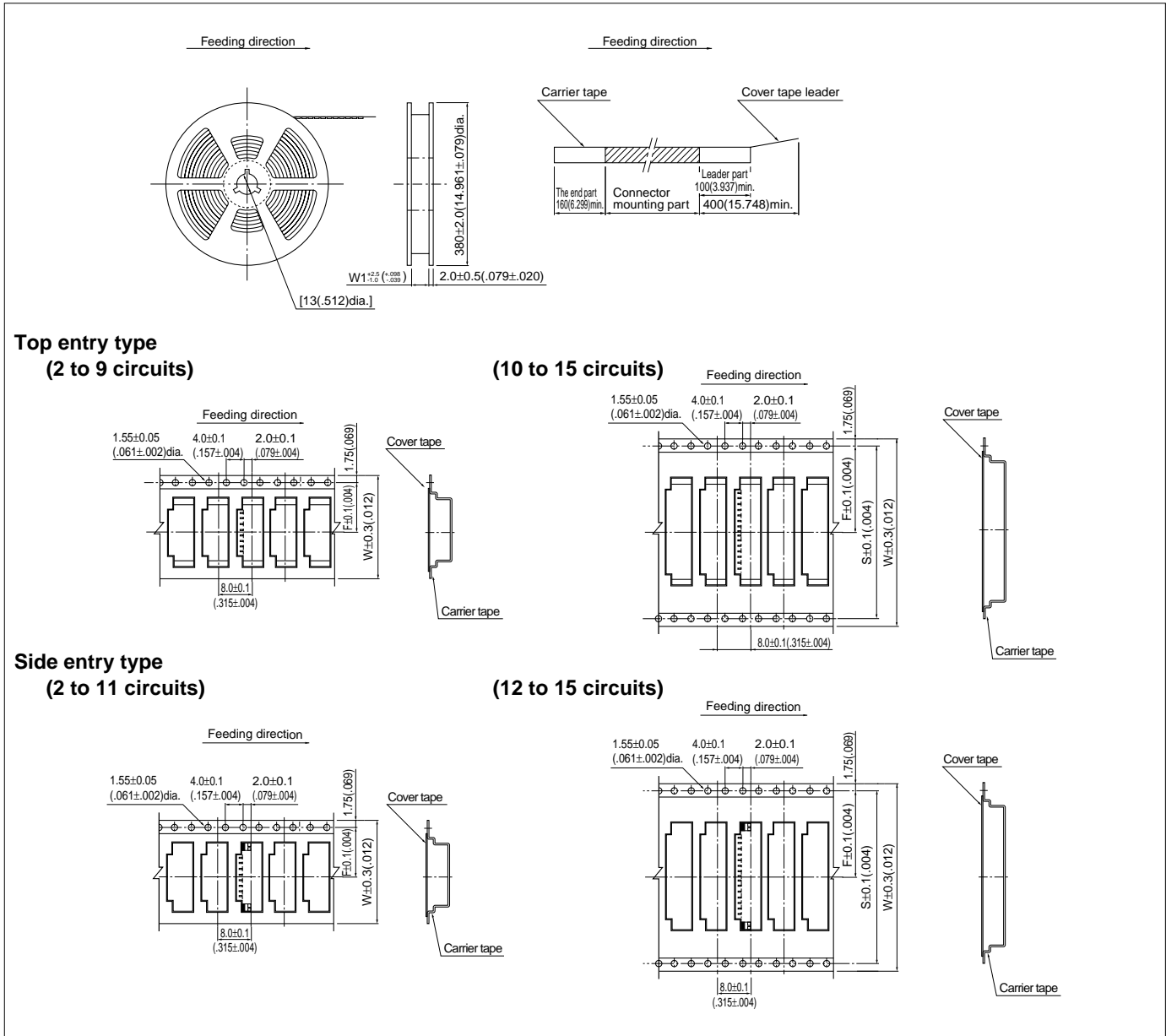


Circuits	Model No.		Dimensions mm(in.)		Q'ty / reel
	Top entry type	Side entry type	A	B	
2	<b>BM02B-GHS-TBT</b>	<b>SM02B-GHS-TB</b>	1.25(.049)	5.75(.226)	2,500
3	<b>BM03B-GHS-TBT</b>	<b>SM03B-GHS-TB</b>	2.50(.098)	7.00(.276)	2,500
4	<b>BM04B-GHS-TBT</b>	<b>SM04B-GHS-TB</b>	3.75(.148)	8.25(.325)	2,500
5	<b>BM05B-GHS-TBT</b>	<b>SM05B-GHS-TB</b>	5.00(.197)	9.50(.374)	2,500
6	<b>BM06B-GHS-TBT</b>	<b>SM06B-GHS-TB</b>	6.25(.246)	10.75(.423)	2,500
7	<b>BM07B-GHS-TBT</b>	<b>SM07B-GHS-TB</b>	7.50(.295)	12.00(.472)	2,500
8	<b>BM08B-GHS-TBT</b>	<b>SM08B-GHS-TB</b>	8.75(.344)	13.25(.522)	2,500
9	<b>BM09B-GHS-TBT</b>	<b>SM09B-GHS-TB</b>	10.00(.394)	14.50(.571)	2,500
10	<b>BM10B-GHS-TBT</b>	<b>SM10B-GHS-TB</b>	11.25(.443)	15.75(.620)	2,500
11	<b>BM11B-GHS-TBT</b>	<b>SM11B-GHS-TB</b>	12.50(.492)	17.00(.669)	2,500
12	<b>BM12B-GHS-TBT</b>	<b>SM12B-GHS-TB</b>	13.75(.541)	18.25(.719)	2,500
13	<b>BM13B-GHS-TBT</b>	<b>SM13B-GHS-TB</b>	15.00(.591)	19.50(.768)	2,500
14	<b>BM14B-GHS-TBT</b>	<b>SM14B-GHS-TB</b>	16.25(.640)	20.75(.817)	2,500
15	<b>BM15B-GHS-TBT</b>	<b>SM15B-GHS-TB</b>	17.50(.689)	22.00(.866)	2,500

Material and Finish	
Contact: Phosphor bronze, copper-undercoated, tin-plated	
Housing: PA9T, UL94V-0, natural	
Solder tab: Brass, copper-undercoated, tin-plated	

# GH CONNECTOR

## Taping specifications



### Top entry type

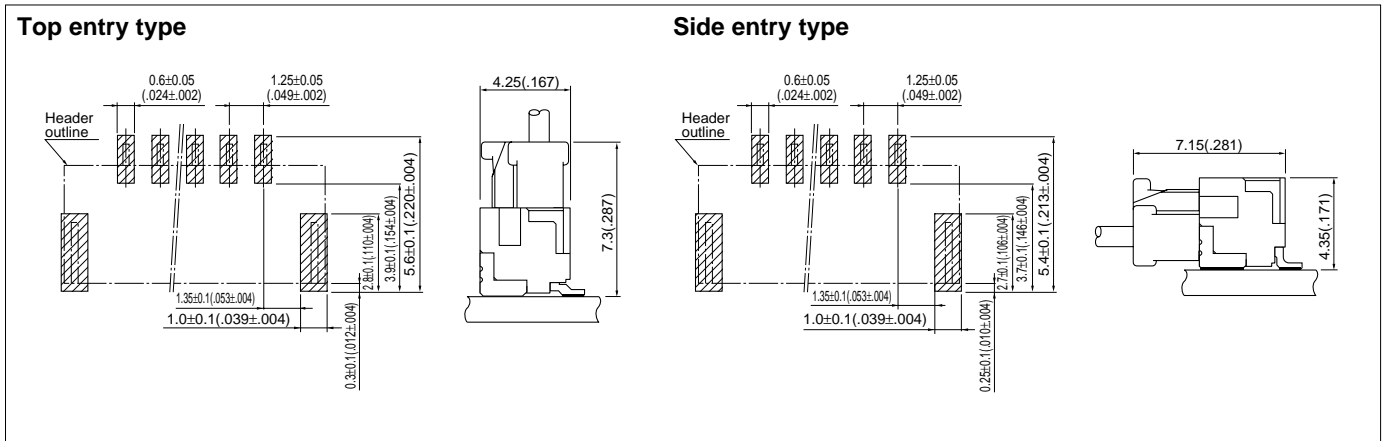
Circuits	Dimensions mm(in.)			Reel dimensions mm(in.)	Q'ty / reel
	F	S	W		
2	7.5(.295)	—	16.0(.630)	17.5(.689)	2,500
3 to 9	11.5(.453)	—	24.0(.945)	25.5(1.004)	2,500
10 to 12	14.2(.559)	28.4(1.118)	32.0(1.260)	33.5(1.319)	2,500
13 to 15	20.2(.795)	40.4(1.591)	44.0(1.732)	45.5(1.791)	2,500

### Side entry type

Circuits	Dimensions mm(in.)			Reel dimensions mm(in.)	Q'ty / reel
	F	S	W		
2 to 5	7.5(.295)	—	16.0(.630)	17.5(.689)	2,500
6 to 11	11.5(.453)	—	24.0(.945)	25.5(1.004)	2,500
12 to 15	14.2(.559)	28.4(1.118)	32.0(1.260)	33.5(1.319)	2,500

- Note:
- Specifications conform to JIS C 0806. The tape width, connector loading recess square hole dimensions, etc. are determined by the number of circuits and external shape of the connector to be loaded.
  - Specifications are subject to change without prior notice.

## PC board layout (viewed from component side) and Assembly layout



**Note:**

1. Tolerances are non-cumulative: ±0.05mm (±.002") for all centers.
2. The dimensions above should serve as a guideline. Contact JST for details.

## Applicator for the semi-automatic press AP-K2N

Contact	Crimp applicator MKS-L-10-3		Compact crimp applicator MKS-LS		Strip-crimp applicator MKS-SC
	with safety cover	without safety cover	with safety cover	without safety cover	with safety cover
<b>SSHL-002T-P0.2</b>	APLMK SSSL002-02	APLNC SSSL002-02	-	-	-

## X-ON Electronics

Largest Supplier of Electrical and Electronic Components

*Click to view similar products for [FFC & FPC Connectors](#) category:*

*Click to view products by [JST manufacturer](#):*

Other Similar products are found below :

[HFW11R-1STE1H1LF](#) [FH29B-100S-0.2SHW\(99\)](#) [FA5S008HP1](#) [FH29B-120S-0.2SHW\(99\)](#) [FH29B-80S-0.2SHW\(99\)](#) [FHS-16](#) [FPH-2022G](#)  
[52610-1075](#) [52610-1275](#) [52610-1934](#) [XF3M\(1\)-1415-1B-R100](#) [501864-3091-TR225](#) [0525594033](#) [086210010340800](#) [086222026001800](#)  
[52271-2869-CUT-TAPE](#) [62674-201121DLF](#) [62684-36210E9ALF](#) [52610-1675](#) [52746-1671-TR250](#) [10051922-2810EHLF](#) [6-520415-9](#)  
[BD021-09A-A1-0350-0200-0550-LD](#) [SFV6R-1STE9HLF](#) [XF3M-2915-1B-R100](#) [1658549-1](#) [62674-221121ALF](#) [46214008010800](#)  
[046298003000883](#) [151660622](#) [842-816-2630-035](#) [AYF530665TA](#) [AYF351525](#) [046296011930846+](#) [AYF352325A](#) [046254020000800+](#)  
[FH19C-13S-0.5SH\(99\)](#) [FH39J-51S-0.3SHW\(99\)](#) [AYF355125A](#) [AYF530365TA](#) [FH29B-44S-0.2SHW\(99\)](#) [SFW5R-2STAE9LF](#) [AYF351125A](#)  
[AYF350725A](#) [62684-502100AHLF](#) [FH39-61S-0.3SHW\(99\)](#) [AYF414035A](#) [10064555-172520HLF](#) [AYF212335A](#) [504754-2500](#)