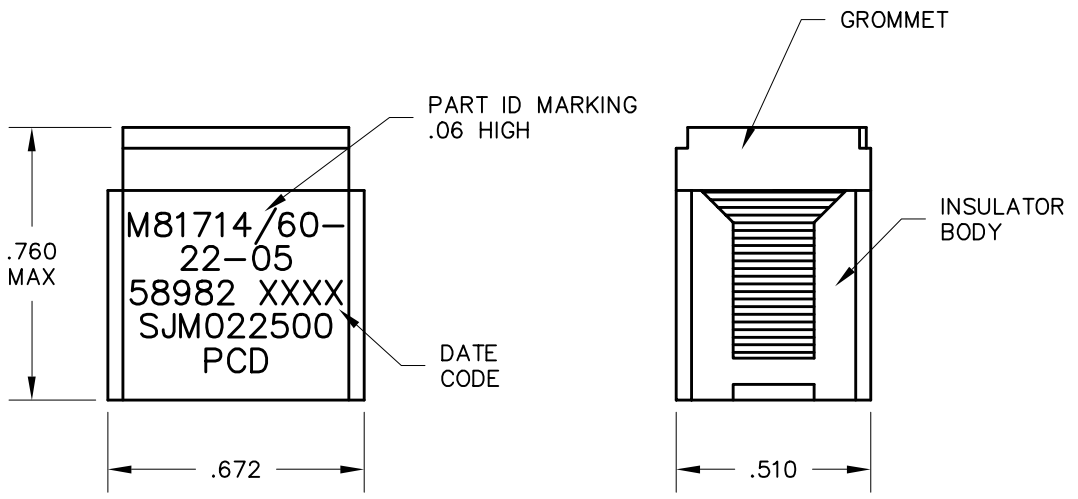
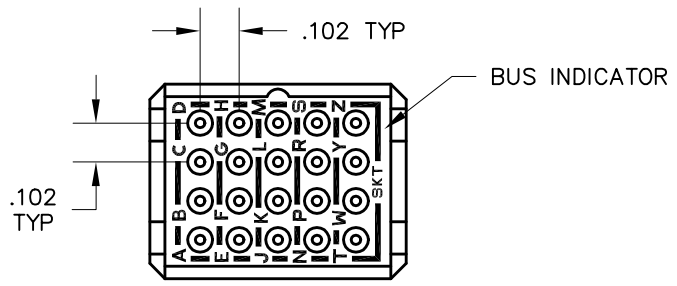


REV	ECN	APP'D
H	3963	JC 4/25/00
J	4127	



NOTES:

- MATERIALS:
 BODY: POLYETHERIMIDE PER MIL-P-46184.
 GROMMET: SILICONE BLEND ELASTOMER.
 CONTACT RETAINERS: BERYLLIUM COPPER.
 INTERNAL PIN CONTACTS: COPPER ALLOY,
 HARD GOLD PLATE
 PER MIL-G-45204.
- PERFORMANCE SPECIFICATIONS:
 OPERATING TEMP: -65° TO 200°C
 INSULATION RESISTANCE: 5000 MEGOHMS MIN @ 25°C
 DIELECTRIC WITHSTANDING VOLTAGE:
 1500 VRMS AT SEA LEVEL
 AND 200 VRMS AT 110,000 FT. ALTITUDE.
 CURRENT RATING: 5 AMPS
 VIBRATION AND SHOCK: PER MIL-T-81714,
 PARAGRAPH 3.5.5 AND 3.5.8.
- MODULE SUPPLIED WITH 21 SOCKET CONTACTS PER
 M39029/22-191 AND TWO (2) MS27488-22 SEALING
 PLUGS.

DIMENSIONS ANSI Y14.5M UNITS: INCHES ACAD FILE	TOLERANCES .XX ± .XXX ±.010 ANGLES ±2°	PROJECTION 	SPECIFICATION DRAWING			TITLE SOCKET JUNCTION MODULE SIZE 22 - 5-BUS M81714/60-22-05	
			ENGR A. PATRIE 4/19/00			SIZE A	DWG NO. SJM022500
ORIGINAL	THIS DOCUMENT CONTAINS PROPRIETARY INFORMATION WHICH IS THE CONFIDENTIAL PROPERTY OF PCD, INC. PEABODY, MA, USA		CHKD J. TON 4/24/00		CODE: 58982		
			APPD J. CAHALY 4/25/00				

X-ON Electronics

Largest Supplier of Electrical and Electronic Components

Click to view similar products for [Socket Junction Modules](#) category:

Click to view products by [Amphenol](#) manufacturer:

Other Similar products are found below :

[00610700081](#) [120-1833-000](#) [SJG016100](#) [SJG022171](#) [SJG022200](#) [SJM020601](#) [SJM022101](#) [107890-ZZ](#) [SJG020200](#) [SJM022501](#) [SJG020170](#)
[M81714/61-0Z](#) [SJG022271](#) [SJM022701](#) [BTJ116E02B-513](#) [BTJ120E02C-513](#) [SJM020301](#) [SJM022601](#) [SJG016270](#) [SJG020271](#)
[00175110600](#) [BTL-16-513](#) [00111510102](#) [BTM-16](#) [SJM000800](#) [BTM-22-513](#) [BTL-16](#) [00175110200](#) [00170511156](#) [00175110800](#)
[00175110700](#) [BTM-22](#) [00175110107](#) [SJE020016](#) [00175110507](#) [00111510502](#) [00175110300](#) [00111510202](#) [00175110207](#) [00175110400](#)
[SJM012200](#) [SJM022201](#) [SJE020045](#) [SJM016101](#) [SJM016201](#) [SJM020101](#) [A85049124S25W](#) [A85049124S13W](#) [A85049124S17W](#)
[A85049124S11W](#)