



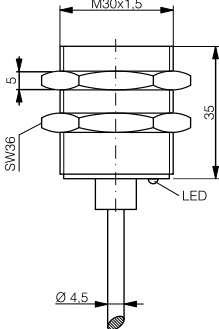
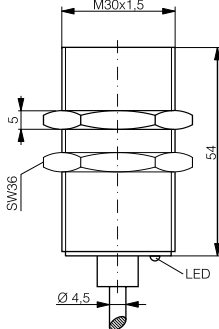
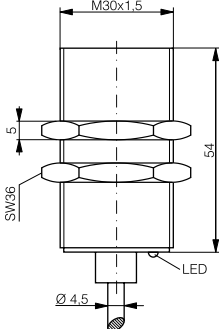
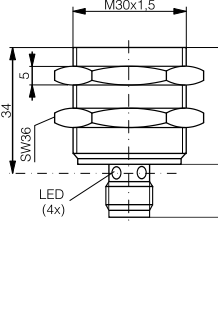


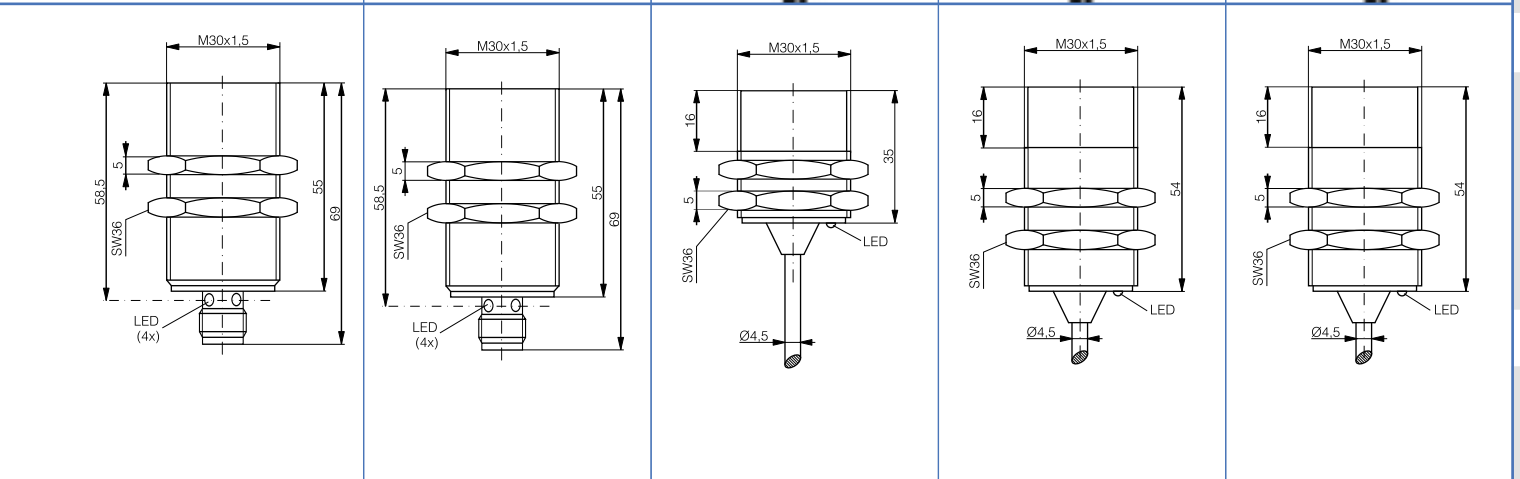
M30

Size				
Operating distance mm	10	10	10	10
Housing material	Nickel-plated brass	Nickel-plated brass	Nickel-plated brass	Nickel-plated brass
Connection ¹⁾	PUR cable type 5	PUR cable type 5	PUR cable type 5	Connector S12
Degree of protection	IP 67	IP 67	IP 67	IP 67
Mounting	Embeddable	Embeddable	Embeddable	Embeddable
Max. switching frequency	300 Hz	300 Hz	25 Hz (AC) / 200 Hz (DC)	300 Hz
Technical data ²⁾	Table 2	Table 2	Table 4	Table 2
Wiring ³⁾	Diagram 2	Diagram 2	Diagram 3	Diagram 2
LED	Built-in	Built-in	Built-in	Built-in
Supply voltage range	15 ... 34 VDC	15 ... 34 VDC	20 ... 265 VAC / 20 ... 320 VDC	15 ... 34 VDC
Ambient temperature range	-25 ... +85 °C	-25 ... +85 °C	-25 ... +85 °C	-25 ... +85 °C
Output current	≤ 200 mA / ≤ 150 mA*	≤ 200 mA / ≤ 150 mA*	≤ 300 mA	≤ 200 mA / ≤ 150 mA*
¹⁾ Standard cable length 2 m. Non-standard cable lengths and types on request. ²⁾ see page 68 ³⁾ see page 69 ⁴⁾ see page 112				
Dimensions:				
Part references: (bold: preferred types)				
NPN N.O.	DW-AD-601-M30-120	DW-AD-601-M30		DW-AS-601-M30-120
NPN N.C.	DW-AD-602-M30-120	DW-AD-602-M30		DW-AS-602-M30-120
PNP N.O.	DW-AD-603-M30-120	DW-AD-603-M30		DW-AS-603-M30-120
PNP N.C.	DW-AD-604-M30-120	DW-AD-604-M30		DW-AS-604-M30-120
NAMUR				
AC/DC 2-wire N.O.			DW-AD-607-M30	
AC/DC 2-wire N.C.			DW-AD-608-M30	
Compatible connectors ⁴⁾				G ... N (N.O.); K ... N (N.C.)

*50 °C / 85 °C

M30

10	10	15	15	15
Nickel-plated brass	Nickel-plated brass	Nickel-plated brass	Nickel-plated brass	Nickel-plated brass
Connector S12	Connector S12	PUR cable type 5	PUR cable type 5	PUR cable type 5
IP 67	IP 67	IP 67	IP 67	IP 67
Embeddable	Embeddable	Non-embeddable	Non-embeddable	Non-embeddable
300 Hz	25 Hz (AC) / 200 Hz (DC)	300 Hz	300 Hz	25 Hz (AC) / 220 Hz (DC)
Table 2	Table 4	Table 2	Table 2	Table 4
Diagram 2	Diagram 3	Diagram 2	Diagram 2	Diagram 3
Built-in	Built-in	Built-in	Built-in	Built-in
15 ... 34 VDC	20 ... 265 VAC / 20 ... 320 VDC	15 ... 34 VDC	15 ... 34 VDC	20 ... 265 VAC / 20 ... 320 VDC
-25 ... +85 °C	-25 ... +85 °C	-25 ... +85 °C	-25 ... +85 °C	-25 ... +85 °C
≤ 200 mA / ≤ 150 mA*	≤ 300 mA	≤ 200 mA / ≤ 150 mA*	≤ 200 mA / ≤ 150 mA*	≤ 300 mA



DW-AS-601-M30-002		DW-AD-611-M30-120	DW-AD-611-M30	
DW-AS-602-M30-002		DW-AD-612-M30-120	DW-AD-612-M30	
DW-AS-603-M30-002		DW-AD-613-M30-120	DW-AD-613-M30	
DW-AS-604-M30-002		DW-AD-614-M30-120	DW-AD-614-M30	
	DW-AS-607-M30-002			DW-AD-617-M30
	DW-AS-608-M30-002			DW-AD-618-M30
G ... N (N.O.); K ... N (N.C.)	M, N			

*50 °C / 85 °C

For all these products, you will find detailed data sheets, application notes, dimensional drawings, cross-reference lists, part references, new items, special executions, extensive additional technical information, specifications concerning quality, safety and standards, as well as the addresses of our agents, and much more besides, on our Internet website at www.contrinex.com. The website contents are constantly up-dated and extended.

M30

M30

Size	15	15	15
Operating distance mm	15	15	15
Housing material	Nickel-plated brass	Nickel-plated brass	Nickel-plated brass
Connection ¹⁾	Connector S12	Connector S12	Connector S12
Degree of protection	IP 67	IP 67	IP 67
Mounting	Non-embeddable	Non-embeddable	Non-embeddable
Max. switching frequency	300 Hz	300 Hz	25 Hz (AC) / 220 Hz (DC)
Technical data ²⁾	Table 2	Table 2	Table 4
Wiring ³⁾	Diagram 2	Diagram 2	Diagram 3
LED	Built-in	Built-in	Built-in
Supply voltage range	15 ... 34 VDC	15 ... 34 VDC	20 ... 265 VAC / 20 ... 320 VDC
Ambient temperature range	-25 ... +85 °C	-25 ... +85 °C	-25 ... +85 °C
Output current	≤ 200 mA / ≤ 150 mA*	≤ 200 mA / ≤ 150 mA*	≤ 300 mA

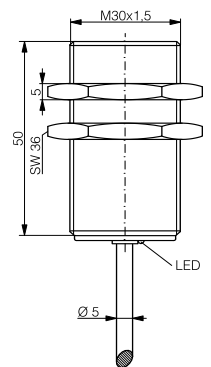
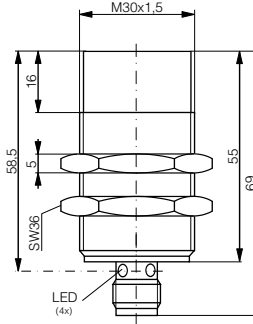
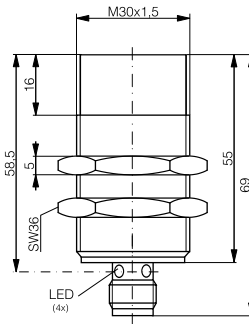
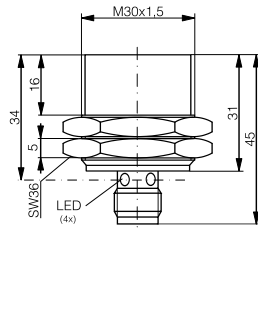
Operating distance mm	20
Housing material	Stainless steel V2A
Connection ¹⁾	PUR cable type 11
Degree of protection	IP 68
Mounting	Embeddable
Max. switching frequency	100 Hz
Technical data ²⁾	Table 1
Wiring ³⁾	Diagram 1
LED	Built-in
Supply voltage range	10 ... 30 VDC
Ambient temperature range	-25 ... +70 °C
Output current	≤ 200 mA

- ¹⁾ Standard cable length 2 m.
Non-standard cable lengths and types on request.
²⁾ see page 68
³⁾ see page 69
⁴⁾ see page 112



all-metal

Dimensions:



Part references:

(**bold**: preferred types)

NPN N.O.	DW-AS-611-M30-120	DW-AS-611-M30-002	
NPN N.C.	DW-AS-612-M30-120	DW-AS-612-M30-002	
PNP N.O.	DW-AS-613-M30-120	DW-AS-613-M30-002	
PNP N.C.	DW-AS-614-M30-120	DW-AS-614-M30-002	
NAMUR			
AC/DC 2-wire N.O.			DW-AS-617-M30-002
AC/DC 2-wire N.C.			DW-AS-618-M30-002
Compatible connectors ⁴⁾	G ... N (N.O.); K ... N (N.C.)	G ... N (N.O.); K ... N (N.C.)	M, N

DW-AD-701-M30
DW-AD-702-M30
DW-AD-703-M30
DW-AD-704-M30

*50 °C / 85 °C

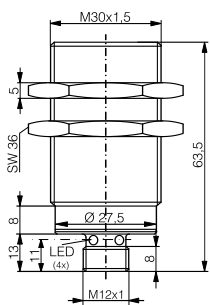
M30

20

Stainless steel V2A
Connector S12
IP 67
Embeddable
100 Hz
Table 1
Diagram 2
Built-in
10 ... 30 VDC
-25 ... +70 °C
≤ 200 mA



all-metal



DW-AS-701-M30-002
DW-AS-702-M30-002
DW-AS-703-M30-002
DW-AS-704-M30-002

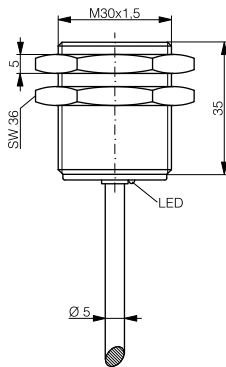
G ... N (N.O.); K ... N (N.C.)

22

Chrome-plated brass
PVC cable type 8
IP 67
Quasi-embeddable
200 Hz
Table 1
Diagram 1
Built-in
10 ... 30 VDC
-25 ... +70 °C
≤ 200 mA



long distance



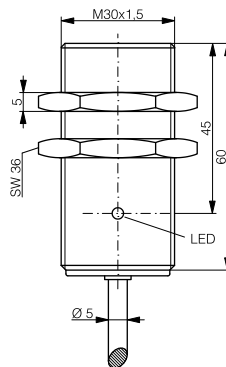
DW-AD-501-M30-120
DW-AD-501-M30
DW-AD-502-M30
DW-AD-503-M30-120
DW-AD-504-M30

22

Chrome-plated brass
PVC cable type 8
IP 67
Quasi-embeddable
200 Hz
Table 1
Diagram 1
Built-in
10 ... 30 VDC
-25 ... +70 °C
≤ 200 mA



long distance



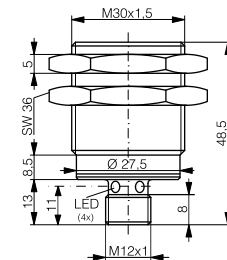
DW-AD-501-M30
DW-AD-502-M30
DW-AD-503-M30
DW-AD-504-M30

22

Chrome-plated brass
Connector S12
IP 67
Quasi-embeddable
200 Hz
Table 1
Diagram 2
Built-in
10 ... 30 VDC
-25 ... +70 °C
≤ 200 mA



long distance



DW-AS-501-M30-120
DW-AS-501-M30-002
DW-AS-502-M30-002
DW-AS-503-M30-002
DW-AS-504-M30-002

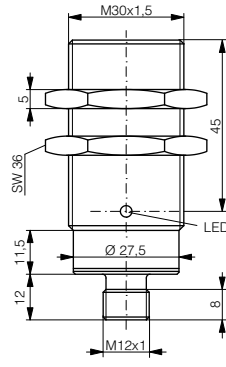
G ... N

22

Chrome-plated brass
Connector S12
IP 67
Quasi-embeddable
200 Hz
Table 1
Diagram 2
Built-in
10 ... 30 VDC
-25 ... +70 °C
≤ 200 mA



long distance





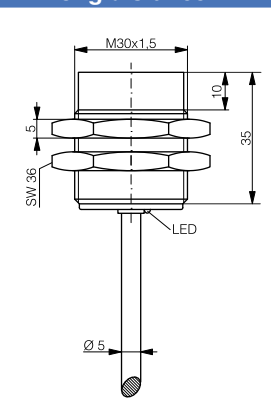
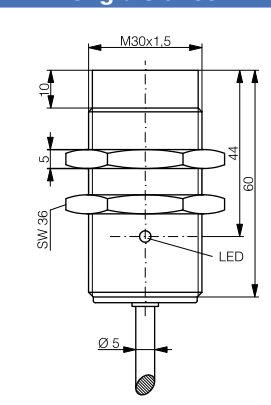
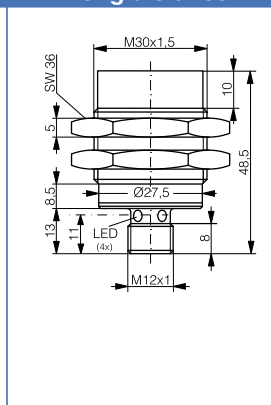
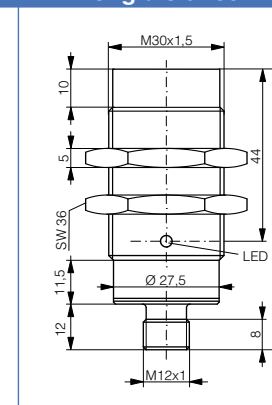


DW-AS-501-M30-002
DW-AS-502-M30-002
DW-AS-503-M30-002
DW-AS-504-M30-002

G ... N (N.O.); K ... N (N.C.)

For all these products, you will find detailed data sheets, application notes, dimensional drawings, cross-reference lists, part references, new items, special executions, extensive additional technical information, specifications concerning quality, safety and standards, as well as the addresses of our agents, and much more besides, on our Internet website at www.contrinex.com. The website contents are constantly up-dated and extended.

M30

Size	M30				
Operating distance mm	40	40	40	40	
Housing material	Chrome-plated brass	Chrome-plated brass	Chrome-plated brass	Chrome-plated brass	
Connection ¹⁾	PVC cable type 8	PVC cable type 8	Connector S12	Connector S12	
Degree of protection	IP 67	IP 67	IP 67	IP 67	
Mounting	Non-embeddable	Non-embeddable	Non-embeddable	Non-embeddable	
Max. switching frequency	100 Hz	100 Hz	100 Hz	100 Hz	
Technical data ²⁾	Table 1	Table 1	Table 1	Table 1	
Wiring ³⁾	Diagram 1	Diagram 1	Diagram 2	Diagram 2	
LED	Built-in	Built-in	Built-in	Built-in	
Supply voltage range	10 ... 30 VDC	10 ... 30 VDC	10 ... 30 VDC	10 ... 30 VDC	
Ambient temperature range	-25 ... +70 °C	-25 ... +70 °C	-25 ... +70 °C	-25 ... +70 °C	
Output current	≤ 200 mA	≤ 200 mA	≤ 200 mA	≤ 200 mA	
¹⁾ Standard cable length 2 m. Non-standard cable lengths and types on request. ²⁾ see page 68 ³⁾ see page 69 ⁴⁾ see page 112					
	long distance	long distance	long distance	long distance	
	Dimensions:				
	Part references: (bold: preferred types)	DW-AD-511-M30-120	DW-AD-511-M30	DW-AS-511-M30-120	DW-AS-511-M30-002
NPN N.O.	DW-AD-511-M30-120	DW-AD-511-M30	DW-AS-511-M30-120	DW-AS-511-M30-002	
NPN N.C.		DW-AD-512-M30		DW-AS-512-M30-002	
PNP N.O.	DW-AD-513-M30-120	DW-AD-513-M30	DW-AS-513-M30-120	DW-AS-513-M30-002	
PNP N.C.		DW-AD-514-M30		DW-AS-514-M30-002	
NAMUR					
AC/DC 2-wire N.O.					
AC/DC 2-wire N.C.					
Compatible connectors ⁴⁾			G ... N	G ... N (N.O.); K ... N (N.C.)	

SERIES 700

M30

40

40

Stainless steel V2A

Stainless steel V2A

PUR cable type 11

Connector S12

IP 68

IP 67

Non-embeddable

Non-embeddable

100 Hz

100 Hz

Table 1

Table 1

Diagram 1

Diagram 2

Built-in

Built-in

10 ... 30 VDC

10 ... 30 VDC

-25 ... +70 °C

-25 ... +70 °C

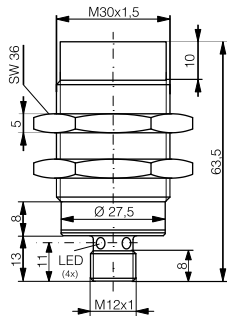
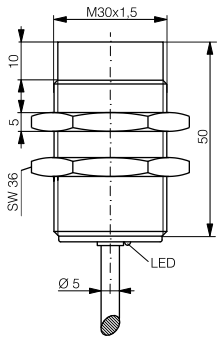
≤ 200 mA

≤ 200 mA



all-metal

all-metal



DW-AD-711-M30

DW-AS-711-M30-002

DW-AD-712-M30

DW-AS-712-M30-002

DW-AD-713-M30

DW-AS-713-M30-002

DW-AD-714-M30




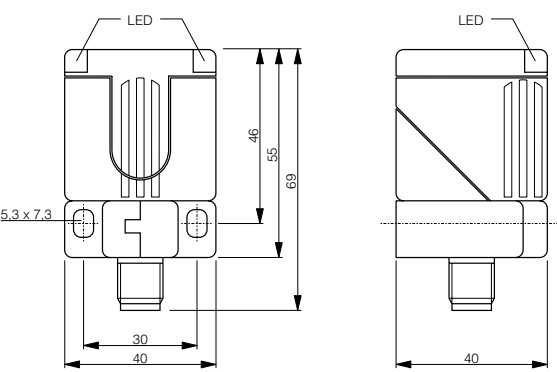
DW-AS-714-M30-002

G ... N (N.O.); K ... N (N.C.)

- 1 Inductive proximity switches
- 2 Photoelectric proximity switches
- 3 Optical fibers
- 4 Connecting cables
- 5 Accessories
- 6 Glossary
- 7 Index

For all these products, you will find detailed data sheets, application notes, dimensional drawings, cross-reference lists, part references, new items, special executions, extensive additional technical information, specifications concerning quality, safety and standards, as well as the addresses of our agents, and much more besides, on our Internet website at www.contrinex.com. The website contents are constantly up-dated and extended.

□ 40x40

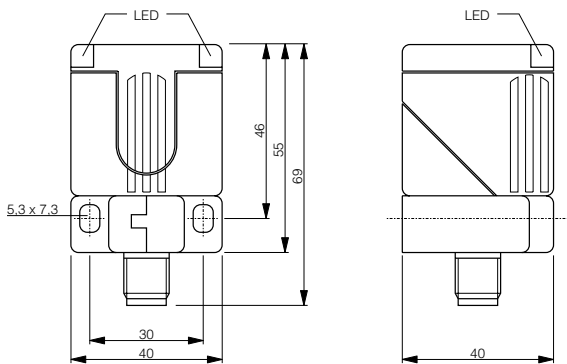
Size	□ 40x40		
Operating distance mm	15	15	20
Housing material	PBTP	PBTP	PBTP
Connection ¹⁾	Connector S12	Connector S12	Connector S12
Degree of protection	IP 67	IP 67	IP 67
Mounting	Embeddable	Embeddable	Embeddable
Max. switching frequency	50 Hz	25 Hz (AC) / 50 Hz (DC)	30 Hz
Technical data ²⁾	Table 9	Table 10	Table 9
Wiring ³⁾	Diagram 6	Diagram 3	Diagram 6
LED	Built-in	Built-in	Built-in
Supply voltage range	15 ... 34 VDC	20 ... 265 VAC / 20 ... 320 VDC	15 ... 34 VDC
Ambient temperature range	-25 ... +85 °C	-25 ... +85 °C	-25 ... +85 °C
Output current	≤ 200 mA / ≤ 150 mA*	≤ 300 mA	≤ 200 mA / ≤ 150 mA*
¹⁾ Standard cable length 2 m. Non-standard cable lengths and types on request. ²⁾ see page 68 ³⁾ see page 69 ⁴⁾ see page 112			
Dimensions:			
Part references: (bold: preferred types)	Sensing face can be rotated to 5 different sides.		
NPN N.O. + N.C.	DW-AS-601-C44		DW-AS-601-C44-304
PNP N.O. + N.C.	DW-AS-603-C44		DW-AS-603-C44-304
NAMUR			
AC/DC 2-wire N.O.		DW-AS-607-C44	
AC/DC 2-wire N.C.			
Compatible connectors ⁴⁾	M, N	M, N	M, N

*50 °C / 85 °C

SERIES 600

□ 40x40

35	35		
PBTP	PBTP		
Connector S12	Connector S12		
IP 67	IP 67		
Non-embeddable	Non-embeddable		
30 Hz	25 Hz (AC) / 30 Hz (DC)		
Table 9	Table 10		
Diagram 6	Diagram 3		
Built-in	Built-in		
15 ... 34 VDC	20 ... 265 VAC / 20 ... 320 VDC		
-25 ... +85 °C	-25 ... +85 °C		
≤ 200 mA / ≤ 150 mA*	≤ 300 mA		



Sensing face can be rotated to 5 different sides.

DW-AS-611-C44			
DW-AS-613-C44			
	DW-AS-617-C44		
M, N	M, N		

*50 °C / 85 °C

For all these products, you will find detailed data sheets, application notes, dimensional drawings, cross-reference lists, part references, new items, special executions, extensive additional technical information, specifications concerning quality, safety and standards, as well as the addresses of our agents, and much more besides, on our Internet website at www.contrinex.com. The website contents are constantly up-dated and extended.

1 Inductive proximity switches
2 Photoelectric proximity switches
3 Optical fibers
4 Connecting cables
5 Accessories
6 Glossary
7 Index

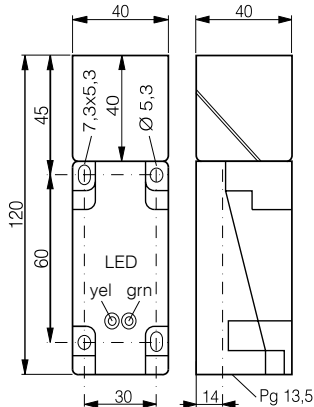
□ 40x120

Size	□ 40x120		
Operating distance mm	15	15	40
Housing material	PBTP	PBTP	PBTP
Connection ¹⁾	Screw terminal	Screw terminal	Screw terminal
Degree of protection	IP 65	IP 65	IP 65
Mounting	Embeddable	Embeddable	Non-embeddable
Max. switching frequency	100 Hz	25 Hz (AC) / 150 Hz (DC)	20 Hz
Technical data ²⁾	Table 2	Table 4	Table 3
Wiring ³⁾	Diagram 2	Diagram 3	Diagram 2
LED	Built-in	Built-in	Built-in
Supply voltage range	15 ... 34 VDC	20 ... 265 VAC / 20 ... 320 VDC	10 ... 65 VDC
Ambient temperature range	-25 ... +85 °C	-25 ... +85 °C	-25 ... +85 °C
Output current	≤ 200 mA / ≤ 150 mA*	≤ 300 mA	≤ 300 mA

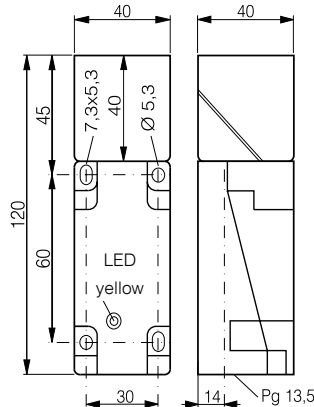
- ¹⁾ Standard cable length 2 m.
Non-standard cable lengths and types on request.
²⁾ see page 68
³⁾ see page 69
⁴⁾ see page 112



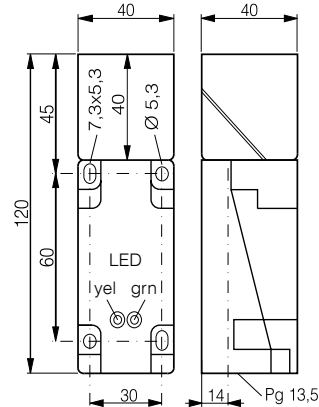
Dimensions:



Sensing face can be rotated to 5 different sides.



Sensing face can be rotated to 5 different sides.



Sensing face can be rotated to 5 different sides.

Part references:

(bold: preferred types)

NPN N.O.	DW-AD-601-C40		
NPN N.C.			
PNP N.O.	DW-AD-603-C40		DW-AD-613-C40 **
PNP N.C.			
NAMUR			
AC/DC 2-wire N.O.		DW-AD-607-C40 **	
AC/DC 2-wire N.C.			
Compatible connectors ⁴⁾			

*50 °C / 85 °C

** N.O. / N.C. switchable

SERIES 600

□ 60x80

□ 80x100

50

65

PBTP

PBTP

Screw terminal

Screw terminal

IP 65

IP 65

Non-embeddable

Non-embeddable

20 Hz

10 Hz

Table 3

Table 3

Diagram 2

Diagram 2

Built-in

Built-in

10 ... 65 VDC

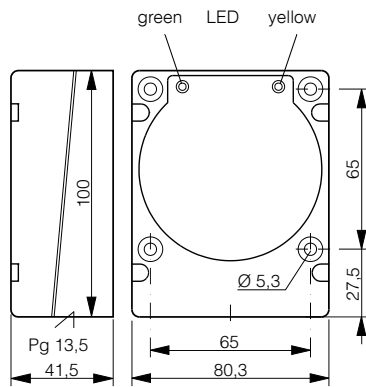
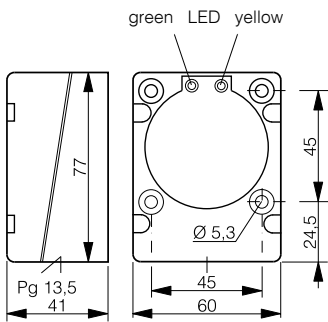
10 ... 65 VDC

-25 ... +85 °C

-25 ... +85 °C

≤ 300 mA

≤ 300 mA



DW-AD-613-C60 **

DW-AD-613-C80 **

For all these products, you will find detailed data sheets, application notes, dimensional drawings, cross-reference lists, part references, new items, special executions, extensive additional technical information, specifications concerning quality, safety and standards, as well as the addresses of our agents, and much more besides, on our Internet website at www.contrinex.com. The website contents are constantly up-dated and extended.

1 Inductive proximity switches
2 Photoelectric proximity switches
3 Optical fibers
4 Connecting cables
5 Accessories
6 Glossary
7 Index

X-ON Electronics

Largest Supplier of Electrical and Electronic Components

Click to view similar products for [Proximity Sensors](#) category:

Click to view products by [Contrinex](#) manufacturer:

Other Similar products are found below :

[01.001.5653.1](#) [70.340.1028.0](#) [70.360.2428.0](#) [70.364.4828.0](#) [70.810.1053.0](#) [72.360.1628.0](#) [73.363.6428.0](#) [9221350022](#) [980659-1](#) [QT-12](#)
[E2EX10D1NN](#) [E2E-X14MD1-G](#) [E2E-X2D1-G](#) [E2EX2ME2N](#) [E2E-X3D1-N](#) [10M](#) [E2E-X4MD1-G](#) [E2FMX1R5D12M](#) [E2K-F10MC1](#) [5M](#)
[EI1204TBOSL-6](#) [EI5515NPAP](#) [BSA-08-25-08](#) [IC08ANC15PO-K](#) [IMM2582C](#) [25.161.3253.0](#) [25.332.0653.1](#) [25.352.0653.0](#) [25.352.0753.0](#)
[25.523.3253.0](#) [9151710023](#) [922FS1.5C-A4P-Z774](#) [SC606ABV0S30](#) [SM952A126100LE](#) [A1220EUA-T](#) [F3S-A162-U](#) [CL18](#) [QT-08L](#)
[34.110.0010.0](#) [TL-C2MF1-M3-E4](#) [IA08BLF15NOM5](#) [IA08BSF15NOM5](#) [IA12ASF04DOM1](#) [IMM32188C](#) [IS2](#) [IS31SE5000-UTLS2-TR](#)
[34.110.0021.0](#) [34.110.0022.0](#) [CA150-120VACDC](#) [VM18VA3000Q](#) [XS508BSCBL2](#) [XS512BLNAM12](#)