

HINGE-COVER, MEDIUM, TYPE 3R

APPLICATION

These enclosures have a size range of 16 x 12 x 6-in. to 48 x 36 x 16-in. and meet basic functionality requirements for applications that require protection from rain, sleet, snow or dripping water.

FEATURES

- Drip shield top and seam-free sides, front, and back protect from rain, snow, or sleet
- 16 gauge plated steel continuous hinge has stainless steel pin
- Cover fastened securely with captive plated steel screws
- Collar studs provided for mounting optional panels
- Hasp and staple provided for padlocking
- No gasketing or knockouts

SPECIFICATIONS

- 16 or 14 gauge galvanized steel

FINISH

ANSI 61 gray polyester powder paint finish inside and out over galvanized steel. Optional solid panels are white.

ACCESSORIES

See also *Accessories*.

Industrial Corrosion Inhibitors

Electric Heater

Grounding Device

Panel Support Kit

Panels for Type 3R, 4, 4X, 12 and 13 Enclosures

Rack Mounting Angles - U Style (Type RA)

Terminal Block Kit Assembly for Junction Boxes Overview

Touch-Up Paint

Steel and Stainless Steel Window Kits

BULLETIN: A3M
INDUSTRY STANDARDS

UL 50, 50E Listed; Type 3R; File No. E27567
cUL Listed per CSA C22.2 No 94; Type 3R File No. E27567

NEMA/EEMAC Type 3R

IEC 60529, IP32

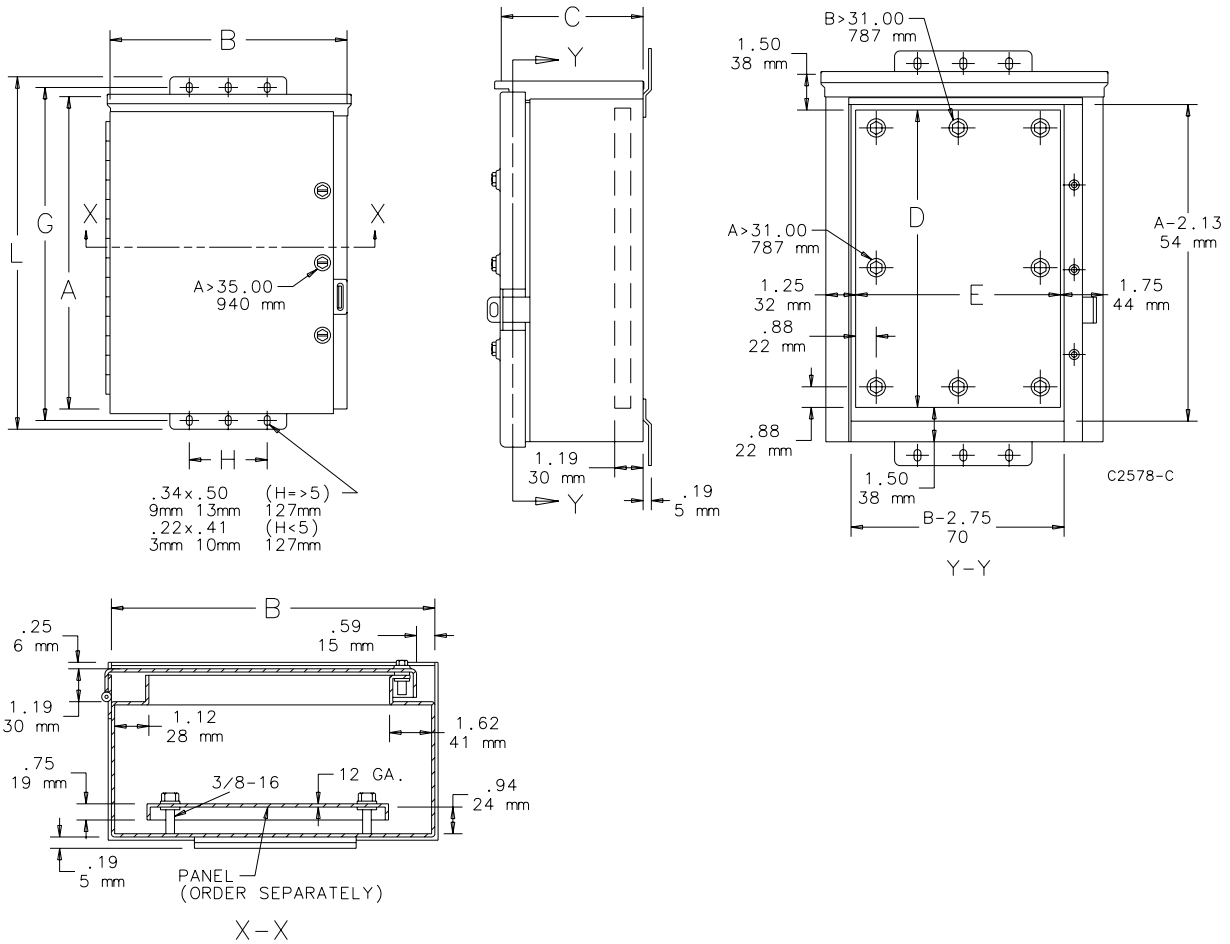
Standard Product

Catalog Number	AxBxC in.	AxBxC mm	Panel	Perforated Panel	Panel Size D x E (in.)	Panel Size D x E (mm)	Mounting G x H (in.)	Mounting G x H (mm)	Overall L (in.)	Overall L (mm)
A16R126HCR	16.00 x 12.00 x 6.00	406 x 305 x 152	A16P12	A16P12PP	13.00 x 9.00	330 x 229	17.00 x 3.00	432 x 76	18.00	457
A16R166HCR	16.00 x 16.00 x 6.00	406 x 406 x 152	A16P16	A16P16PP	13.00 x 13.00	330 x 330	17.00 x 13.00	432 x 330	18.00	457
A18R186HCR	18.00 x 18.00 x 6.00	457 x 457 x 152	A18P18	A18P18PP	15.00 x 15.00	381 x 381	19.00 x 13.00	483 x 330	20.00	508
A20R166HCR	20.00 x 16.00 x 6.00	508 x 406 x 152	A20P16	A20P16PP	17.00 x 13.00	432 x 330	21.00 x 13.00	533 x 330	22.00	559
A20R208HCR	20.00 x 20.00 x 8.00	508 x 508 x 203	A20P20	A20P20PP	17.00 x 17.00	432 x 432	21.00 x 13.00	533 x 330	22.00	559
A24R208HCR	24.00 x 20.00 x 8.00	610 x 508 x 203	A24P20	A24P20PP	21.00 x 17.00	533 x 432	25.00 x 13.00	635 x 330	26.00	660
A24R248HCR	24.00 x 24.00 x 8.00	610 x 610 x 203	A24P24	A24P24PP	21.00 x 21.00	533 x 533	25.00 x 13.00	635 x 330	26.00	660
A30R248HCR	30.00 x 24.00 x 8.00	762 x 610 x 203	A30P24	A30P24PP	27.00 x 21.00	686 x 533	31.00 x 13.00	787 x 330	32.00	813
A18R1810HCR	18.00 x 18.00 x 10.00	457 x 457 x 254	A18P18	A18P18PP	15.00 x 15.00	381 x 381	19.00 x 13.00	483 x 330	20.00	508
A30R308HCR	30.00 x 30.00 x 8.00	762 x 762 x 203	A30P30	A30P30PP	27.00 x 27.00	686 x 686	31.00 x 27.00	787 x 686	32.00	813
A24R2410HCR	24.00 x 24.00 x 10.00	610 x 610 x 254	A24P24	A24P24PP	21.00 x 21.00	533 x 533	25.00 x 13.00	635 x 330	26.00	660
A30R2410HCR	30.00 x 24.00 x 10.00	762 x 610 x 254	A30P24	A30P24PP	27.00 x 21.00	686 x 533	31.00 x 13.00	787 x 330	32.00	813
A36R3610HCR	36.00 x 36.00 x 10.00	914 x 914 x 254	A36P36	A36P36PP	33.00 x 33.00	838 x 838	37.00 x 30.00	940 x 762	38.00	965
A30R3012HCR	30.00 x 30.00 x 12.00	762 x 762 x 305	A30P30	A30P30PP	27.00 x 27.00	686 x 686	31.00 x 27.00	787 x 686	32.00	813
A36R2412HCR	36.00 x 24.00 x 12.00	914 x 610 x 305	A36P24	A36P24PP	33.00 x 21.00	838 x 533	37.00 x 13.00	940 x 330	38.00	965
A36R3012HCR	36.00 x 30.00 x 12.00	914 x 914 x 305	A36P30	A36P30PP	33.00 x 27.00	838 x 686	37.00 x 27.00	940 x 686	38.00	965
A42R3012HCR	42.00 x 30.00 x 12.00	1067 x 914 x 305	A42P30	—	39.00 x 27.00	991 x 686	43.00 x 27.00	1092 x 686	44.00	1118
A36R3612HCR	36.00 x 36.00 x 12.00	914 x 914 x 305	A36P36	A36P36PP	33.00 x 33.00	838 x 838	37.00 x 27.00	940 x 686	38.00	965
A42R3612HCR	42.00 x 36.00 x 12.00	1067 x 914 x 305	A42P36	—	39.00 x 33.00	991 x 838	43.00 x 27.00	1092 x 686	44.00	1118
A48R3612HCR	48.00 x 36.00 x 12.00	1219 x 914 x 305	A48P36	—	45.00 x 33.00	1143 x 838	49.00 x 27.00	1245 x 686	50.00	1270
A60R3612HCR	60.00 x 36.00 x 12.00	1524 x 914 x 305	A60P36	—	57.00 x 33.00	1448 x 838	61.00 x 27.00	1549 x 686	62.00	1575
A30R3016HCR	30.00 x 30.00 x 16.00	762 x 762 x 406	A30P30	A30P30PP	27.00 x 27.00	686 x 686	31.00 x 27.00	787 x 686	32.00	813
A48R3616HCR	48.00 x 36.00 x 16.00	1219 x 914 x 406	A48P36	—	45.00 x 33.00	1143 x 838	49.00 x 27.00	1245 x 686	50.00	1270

Purchase panels separately. Optional aluminum panels are available for most sizes.

Purchase perforated panels separately.

Flanged on all four sides.



X-ON Electronics

Largest Supplier of Electrical and Electronic Components

Click to view similar products for [hoffman manufacturer](#):

Other Similar products are found below :

[A-1412CHQR](#) [CSD201610](#) [CSD20168SS](#) [CSD20206](#) [CSD20208SS](#) [CSD24168](#) [CSD36248](#) [CSD36308](#) [PCU7](#) [PDS76R](#) [PRA197TP](#) [PT126](#)
[A1008CHNFSS](#) [A10106CH](#) [A10106CHFL](#) [A10106PHCW](#) [A1066JFGQRR](#) [A1210CHNF](#) [A1212SC](#) [A1412CHNFSS](#) [A161208LP](#)
[A161410CH](#) [A16H12ALP](#) [A16P14](#) [A16P16G](#) [A18P16AL](#) [A20H16BLP](#) [A20P16](#) [A24H2408SSLP](#) [Q13138PCE](#) [A404CH](#) [A606CHNF](#)
[A606NF](#) [A806SC](#) [A845JFGR](#) [A864CHQRFGW](#) [A90P36F1](#) [HJ1412HWPL2LG](#) [HJ1816HWPL2LG](#) [RHJ1210HWPL2LG](#) [AS125SS](#)
[ASE10X10X4](#) [ASE12X12X4](#) [E1PBG](#) [E2PBG](#) [E3PB](#) [LED24V15](#) [LF230VD](#) [A10106PHC](#) [A10P8SS](#)