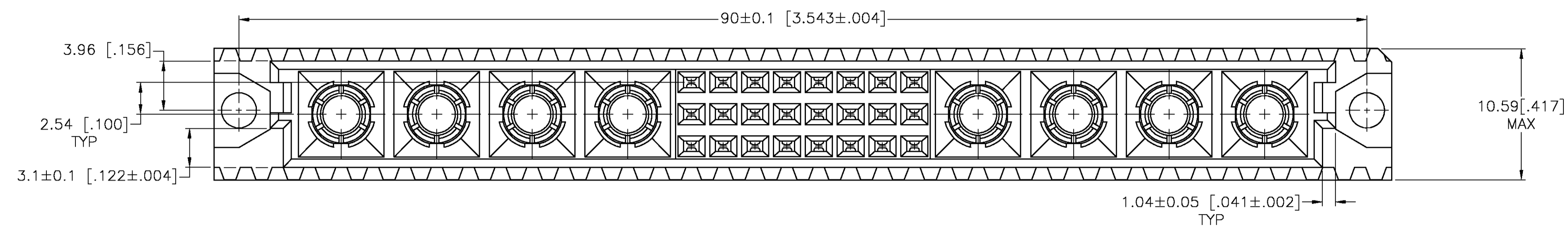
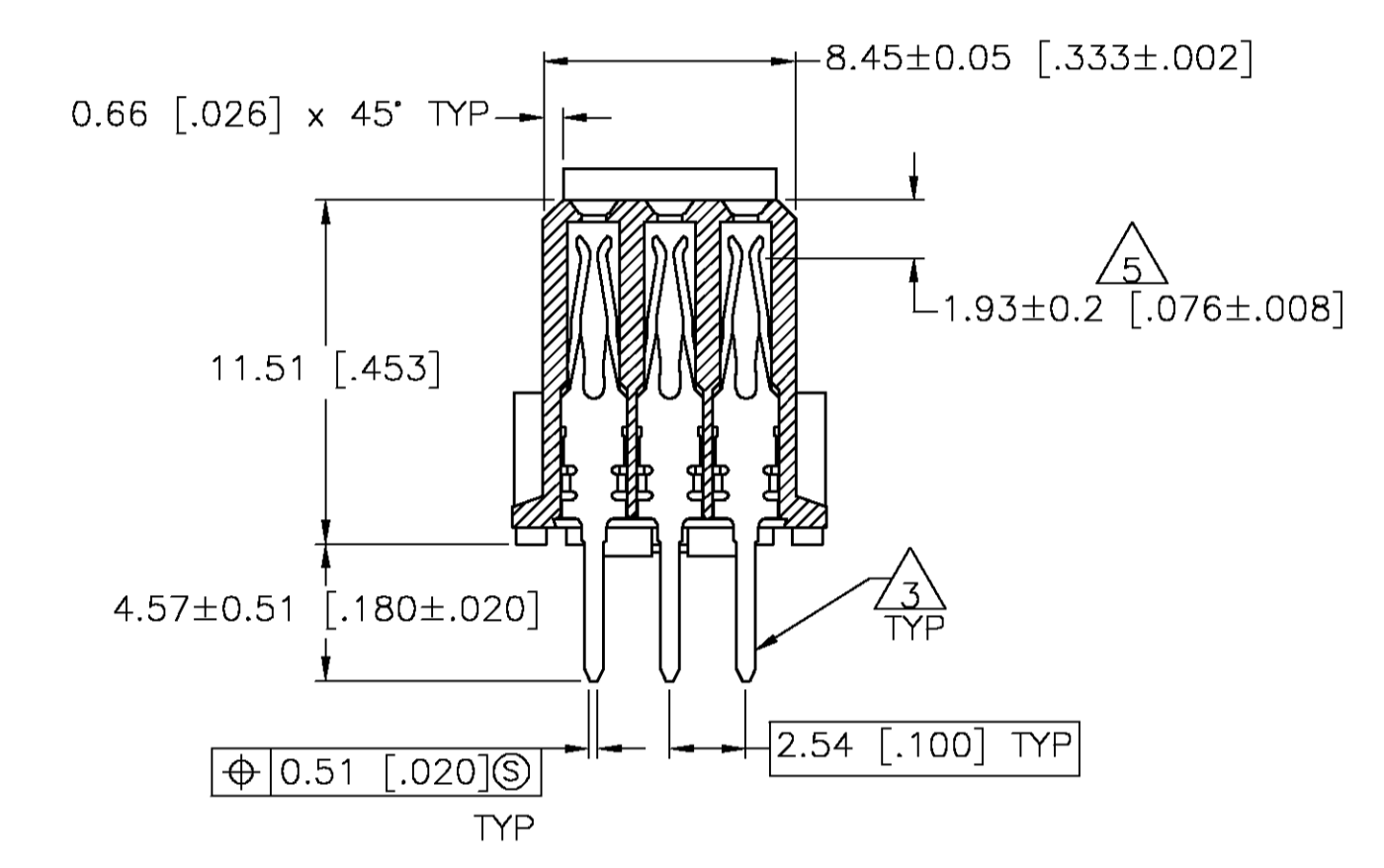
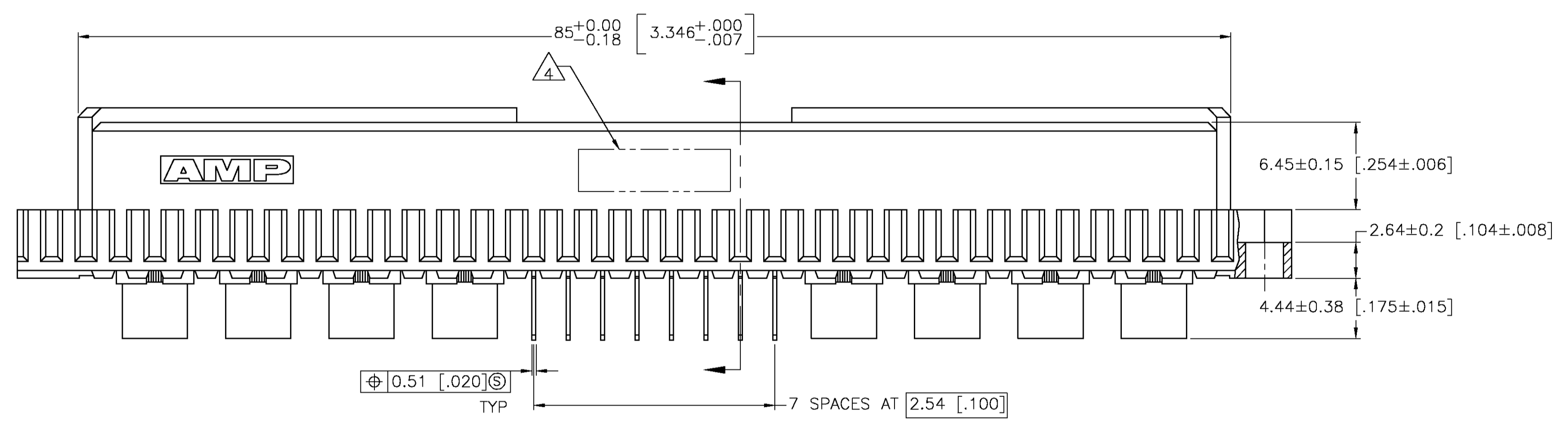


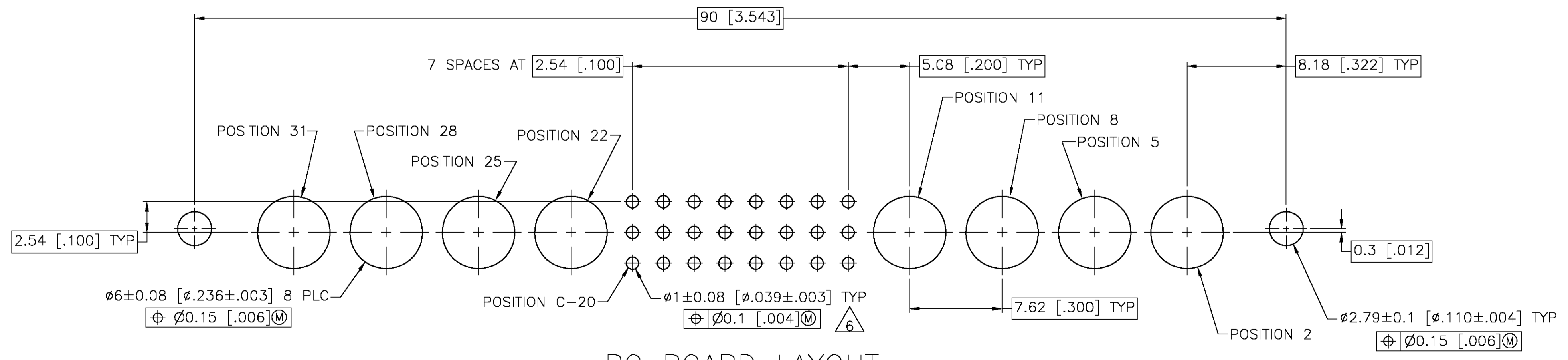
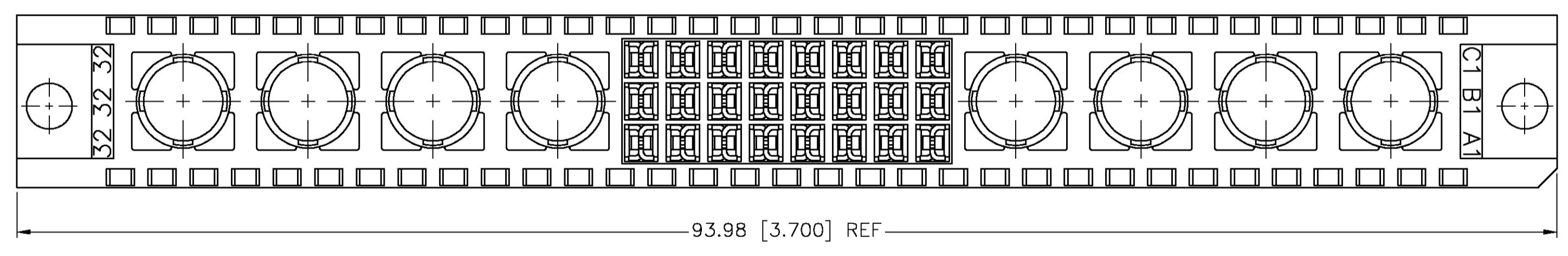
LOC		DIST		REVISIONS			
P	LR	DESCRIPTION	DATE	DN	APPD		
0	REV PER EC	OS12-0251-04	17MAY04	NK	AS		



- 1 HOUSING MATERIAL: GLASS-FILLED POLYESTER, GRAY.
- 2 SIGNAL CONTACT MATERIAL: PHOSPHOR BRONZE. POWER CONTACT MATERIAL: COPPER ALLOY.
- 3 SIGNAL CONTACT: DIN 41612 CLASS 1 IN CONTACT AREA. TIN-LEAD PLATE ON POSTS. POWER CONTACT: DIN 41612, CLASS 1 IN CONTACT AREA.
- 4 PART NUMBER, DATE CODE IDENTIFICATION, CSA LOGO IN THIS APPROXIMATE AREA.
- 5 CONTACT POINT, SIGNAL CONTACT.
- 6 RECOMMENDED HOLE SIZE FOR MANUAL APPLICATION OF CONNECTOR ONTO PC BOARD.



POWER CONTACT REMOVED FOR CLARITY



PC BOARD LAYOUT

148684-1  
PART NUMBER

THIS DRAWING IS A CONTROLLED DOCUMENT.		DIN B CARBO 23FEB04		Tyco Electronics Corporation Harrisburg, Pa 17105-3608	
DIMENSIONS: mm [INCHES]		CIK A SHARPE 23FEB04		NAME: RECEPTACLE ASSEMBLY, EUROCARD, TYPE M, 24 + 8	
TOLERANCES UNLESS OTHERWISE SPECIFIED:		APVD A SHARPE 23FEB04	APPLICATION SPEC: ---		
0 PLC ± -		SIZE: A1			
1 PLC ± -		CAGE CODE: 00779			
2 PLC ± 0.13[.005]		DRAWING NO: 148684			
3 PLC ± -		RESTRICTED TO: ---			
4 PLC ± -		WEIGHT: ---			
ANGLES ± -		CUSTOMER DRAWING			
FINISH: 1 2 3		SCALE: 4:1 SHEET 1 OF 1 REV 0			

## X-ON Electronics

Largest Supplier of Electrical and Electronic Components

*Click to view similar products for [DIN 41612 Connectors](#) category:*

*Click to view products by [TE Connectivity](#) manufacturer:*

Other Similar products are found below :

[09231126901](#) [PCN10F-24P-2.54DS\(72\)](#) [004.767](#) [02221602702](#) [024069](#) [602427301412000](#) [013275](#) [691327-1](#) [74670-0732](#) [74680-0340](#)  
[75880-0015](#) [76453-0014](#) [86093159ALF](#) [923454](#) [QLC260R](#) [120X10099X](#) [120X10019X](#) [120X10089X](#) [120X10129X](#) [121A10039X](#)  
[121A10309X](#) [122A10019X](#) [122A10029X](#) [122A10249X](#) [122A10669X](#) [122A11089X](#) [122A13089X](#) [121B10409X](#) [122A10089X](#)  
[122A10129X](#) [122A10349X](#) [122A13359X](#) [1377391-4](#) [DIN-048CPC-SR1-MH](#) [1393583-2](#) [1393726-7](#) [140X10059X](#) [140X10129X](#) [143-1913-](#)  
[000](#) [143-1908-000](#) [1484472-1](#) [173052](#) [2110070-1](#) [2110070-2](#) [CBC20T00-008FDS5-0-1-002VR](#) [983-0SE12-12P6](#) [17041102202](#) [172699-](#)  
[5036](#) [173051](#) [20](#) [8457096](#) [010](#) [025](#)