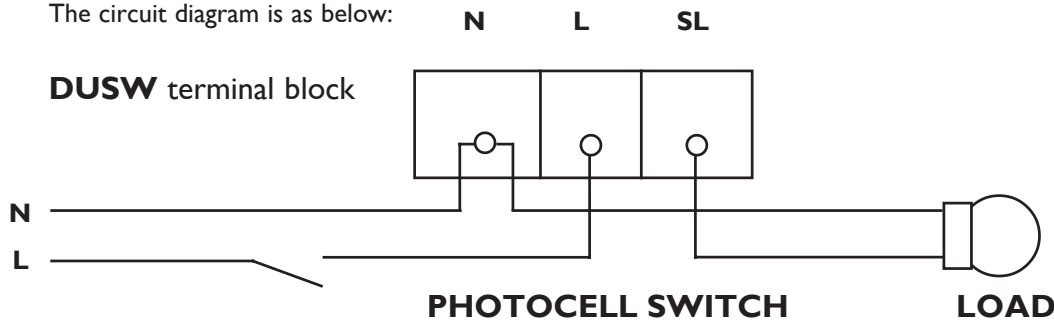


DUSW

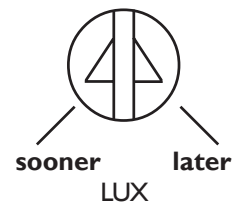
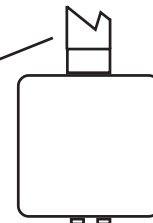
dusk switch

The switch will switch on at dusk and switch off after a chosen time delay or when it becomes light again, repeating each day. If the switch turns off when it is dark, it will reset next day for a further cycle.

1. Read these notes before commencing work.
2. In case of doubt consult a qualified electrical contractor.
3. Make sure power is switched off from the circuits you are working on by removing appropriate fuses, or switching off appropriate isolating switches.
4. The switch should be sited so that it receives more daylight than artificial light.
5. Ensure artificial light is not too close to the switch and not shining directly into it.
6. Leave space to allow access to the adjusting spindles.
7. The circuit diagram is as below:



8. The switch should be mounted on an outside wall with the cable entry spout facing upwards. The spout is a standard conduit 20mm threaded entry. To ensure that the switch is waterproofed the cable entry spout should either be fitted with 20mm conduit, or fitted with a waterproof cable gland appropriate for the diameter of cable being used. (An example cable gland is MK Egatube ECG/2.) The cable should be appropriate for outdoor use and circular in cross-section.
9. To adjust the light level for switching on, turn the spindle (LUX) fully anti clockwise to come on earlier in the evening, and fully clockwise to come on later in the evening.
Note:- When the light level is changed suddenly, there is a 5 second response time.
10. To adjust the ON time, turn the spindle (TIME) fully anticlockwise for the minimum time (~ 2 hours), and fully clockwise for the maximum time (~ 16 hours).
11. The maximum load must not exceed 6 Amps of resistive or 4 Amps of inductive loads, fluorescent or discharge, with 230VAC supply.



Advice from:

Danlers Limited,
Vinciens Road,
Bumpers Farm Ind. Est.,
CHIPPENHAM,
Wiltshire,
SN14 6NQ,
United Kingdom.

Telephone +44 (0)1249 443377
Facsimile +44 (0)1249 443388
E-mail sales@danlers.co.uk
Web www.danlers.co.uk

Company Registered Number 2570169
VAT Registration Number 543 5491 38



X-ON Electronics

Largest Supplier of Electrical and Electronic Components

Click to view similar products for [danlers](#) manufacturer:

Other Similar products are found below :

[Danlers](#)