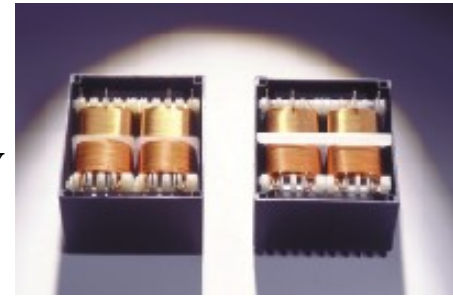


# The HAHN UI 30 Series

Quality and efficiency in series



## COMPACT DESIGN AND CONVINCING LONG-TERM DURABILITY

### HAHN - flat transformers UI 21, UI 30, UI 39, UI 48

performance from 3 VA up to max. 16 VA	highest security durability
temperature class ta 70°C/B, non short-circuit-proof	high dielectric strength
with ENEC 05-, KEMAKEUR-, CSA and UL mark	self-extinguishing cast housing and sealing material
vacuum encapsulated, bobbin with two chambers	quality is individually tested and certified
excellent reaction to temperature changes	packaging unit: UI301-UI303 72 pcs; UI304-UI305 30 pcs

The standard programme ranging from 1.0 - 60 VA Designed to match the VDE 0551/EN 61558-regulations, HAHN flat transformers provide the highest level of safety and reliability in all fields of the electric supply industry, manufacturing industry and product technology in ambient temperatures up to 70 Celsius degrees. HAHN-Transformers are high-quality products meeting all demands on high-tech equipment.

Of course, all products of this programme have been fully tested, vacuum casted and tested at a primary and secondary voltage of 6000 V. (VDE 0551 and CE 15 demand no more than 4000 V.) Leakage distance and sparking distance in air are at least 10 mm. Temperature stability class ta 70/B according to VDE 0551 § 13, EN 61558 and CE 15.



power: 3/4/6/10/16 VA  
ta 70/B acc. to VDE 0551/EN 61558

secondary double voltage:  
bridge: 12 - 13



circuit for 110 V/115 V/ 120 V  
bridge: 1 - 6 and 3 - 8  
circuit for 220 V, 230 V or 240 V respectively  
bridge: 3 - 6

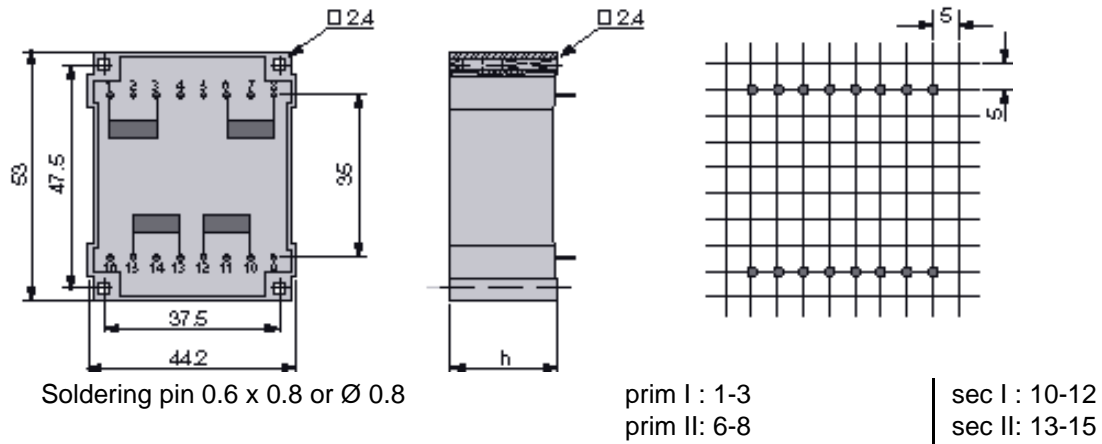
secondary double power:  
bridge: 10 - 13 and 12 - 15

testing voltage: 6000 V



View looking onto pins

Dimensions without tolerances  $\pm 0,3$  mm



article no. BV	power (ta 70/B)	size h (mm)	approx. weight in grs.	shipping-unit per box
BV UI 301 ....	3.0	17.8	130	72
BV UI 302 ....	4.0	19.8	150	72
BV UI 303 ....	6.0	22.8	180	72
BV UI 304 ....	10.0	28.8	260	30
BV UI 305 ....	16.0	37.6	370	30

Any product from this series with 230 V primary voltage may be delivered the following day if ordered before 12:00 o'clock CET.



article no. BV	power (ta 70/B)	size h (mm)	approx. weight in grs.	shipping-unit per box
BV UI 301 ....	3.0	17.8	130	72

data sheet	article no.	power VA	primary voltage V	connecting pins prim.	secondary voltage V	current sec. mA	connecting pins sek.	no-load voltage V
---	BV UI 301 0007	3	2x 110	1-3/6-8	2x 6	250	10-12/13-15	2x 7.9
---	BV UI 301 0008	3	2x 110	1-3/6-8	2x 9	167	10-12/13-15	2x 13.6
---	BV UI 301 0009	3	2x 110	1-3/6-8	2x 12	126	10-12/13-15	2x 18.5
---	BV UI 301 0010	3	2x 110	1-3/6-8	2x 15	100	10-12/13-15	2x 22.7
---	BV UI 301 0011	3	2x 110	1-3/6-8	2x 18	83	10-12/13-15	2x 27.1
---	BV UI 301 0012	3	2x 110	1-3/6-8	2x 21	71	10-12/13-15	2x 31.6

secondary fuse: external secondary PTC-resistors

data sheet	article no.	power VA	primary voltage V	connecting pins prim.	secondary voltage V	current sec. mA	connecting pins sek.	no-load voltage V
---	BV UI 301 0133	3	2x 115	1-3/6-8	2x 12	126	10-12/13-15	2x 18.5
---	BV UI 301 0146	3	2x 115	1-3/6-8	2x 18	83	10-12/13-15	2x 27.1
---	BV UI 301 0157	3	2x 115	1-3/6-8	2x 21	71	10-12/13-15	2x 31.6
---	BV UI 301 0166	3	2x 115	1-3/6-8	2x 15	100	10-12/13-15	2x 22.7

---	BV UI 301 0167	3	2x 115	1-3/6-8	2x 6	250	10-12/13-15	2x 7.9
---	BV UI 301 0168	3	2x 115	1-3/6-8	2x 9	167	10-12/13-15	2x 13.6

secondary fuse: external secondary PTC-resistors

data sheet	article no.	power VA	primary voltage V	connecting pins prim.	secondary voltage V	current sec. mA	connecting pins sek.	no-load voltage V
---	BV UI 301 0132	3	2x 120	1-3/6-8	2x 9	167	10-12/13-15	2x 13.6

secondary fuse: external secondary PTC-resistors

[back to sizes](#)

Any product from this series with 2x115 V primary voltage may be delivered the following day if ordered before 12:00 o'clock CET.



article no. BV	power (ta 70/B)	size h (mm)	approx. weight in grs.	shipping-unit per box
BV UI 302 ....	4.0	19.8	150	72

data sheet	article no.	power VA	primary voltage V	connecting pins prim.	secondary voltage V	current sec. mA	connecting pins sek.	no-load voltage V
---	BV UI 302 0013	4	2x 110	1-3/6-8	2x 6	333	10-12/13-15	2x 9.5
---	BV UI 302 0014	4	2x 110	1-3/6-8	2x 9	222	10-12/13-15	2x 13.5
---	BV UI 302 0015	4	2x 110	1-3/6-8	2x 12	166	10-12/13-15	2x 20.1
---	BV UI 302 0016	4	2x 110	1-3/6-8	2x 15	133	10-12/13-15	2x 25.3
---	BV UI 302 0017	4	2x 110	1-3/6-8	2x 18	111	10-12/13-15	2x 30.4
---	BV UI 302 0018	4	2x 110	1-3/6-8	2x 21	95	10-12/13-15	2x 35.1

secondary fuse: external secondary PTC-resistors

data sheet	article no.	power VA	primary voltage V	connecting pins prim.	secondary voltage V	current sec. mA	connecting pins sek.	no-load voltage V
---	BV UI 302 0144	4	2x 115	1-3/6-8	2x 12	166	10-12/13-15	2x 20.1
---	BV UI 302 0156	4	2x 115	1-3/6-8	2x 18	111	10-12/13-15	2x 30.4
---	BV UI 302 0161	4	2x 115	1-3/6-8	2x 9	222	10-12/13-15	2x 13.5
---	BV UI 302 0164	4	2x 115	1-3/6-8	2x 6	333	10-12/13-15	2x 9.5
---	BV UI 302 0165	4	2x 115	1-3/6-8	2x 15	133	10-12/13-15	2x 25.3
---	BV UI 302 0169	4	2x 115	1-3/6-8	2x 21	95	10-12/13-15	2x 35.1

secondary fuse: external secondary PTC-resistors

[back to sizes](#)

Any product from this series with 2x115 V primary voltage may be delivered the following day if ordered before 12:00 o'clock CET.



article no. BV	power (ta 70/B)	size h (mm)	approx. weight in grs.	shipping-unit per box
BV UI 303 ....	6.0	22.8	180	72

data sheet	article no.	power VA	primary voltage V	connecting pins prim.	secondary voltage V	current sec. mA	connecting pins sek.	no-load voltage V
---	BV UI 303 0001	6	2x 110	1-3/6-8	2x 6	500	10-12/13-15	2x 9
---	BV UI 303 0002	6	2x 110	1-3/6-8	2x 9	334	10-12/13-15	2x 12.8
---	BV UI 303 0003	6	2x 110	1-3/6-8	2x 12	250	10-12/13-15	2x 17.2
---	BV UI 303 0004	6	2x 110	1-3/6-8	2x 15	200	10-12/13-15	2x 21.8
---	BV UI 303 0005	6	2x 110	1-3/6-8	2x 18	166	10-12/13-15	2x 26
---	BV UI 303 0006	6	2x 110	1-3/6-8	2x 21	143	10-12/13-15	2x 29.7

secondary fuse: external secondary PTC-resistors

data sheet	article no.	power VA	primary voltage V	connecting pins prim.	secondary voltage V	current sec. mA	connecting pins sek.	no-load voltage V
---	BV UI 303 0143	6	2x 115	1-3/6-8	2x 18	166	10-12/13-15	2x 26
---	BV UI 303 0145	6	2x 115	1-3/6-8	2x 12	250	10-12/13-15	2x 17.2
---	BV UI 303 0158	6	2x 115	1-3/6-8	2x 9	334	10-12/13-15	2x 12.8
---	BV UI 303 0162	6	2x 115	1-3/6-8	2x 6	500	10-12/13-15	2x 9
---	BV UI 303 0163	6	2x 115	1-3/6-8	2x 15	200	10-12/13-15	2x 21.8
---	BV UI 303 0170	6	2x 115	1-3/6-8	2x 21	143	10-12/13-15	2x 29.7

secondary fuse: external secondary PTC-resistors

[back to sizes](#)

Any product from this series with 2x115 V primary voltage may be delivered the following day if ordered before 12:00 o'clock CET.



article no. BV	power (ta 70/B)	size h (mm)	approx. weight in grs.	shipping-unit per box
BV UI 304 ....	10.0	37.6	260	30

data sheet	article no.	power VA	primary voltage V	connecting pins prim.	secondary voltage V	current sec. mA	connecting pins sek.	no-load voltage V
---	BV UI 304 0019	10	2x 110	1-3/6-8	2x 6	833	10-12/13-15	2x 8.7
---	BV UI 304 0020	10	2x 110	1-3/6-8	2x 9	555	10-12/13-15	2x 12.4
---	BV UI 304 0021	10	2x 110	1-3/6-8	2x 12	416	10-12/13-15	2x 16

---	BV UI 304 0022	10	2x 110	1-3/6-8	2x 15	333	10-12/13-15	2x 19.7
---	BV UI 304 0023	10	2x 110	1-3/6-8	2x 18	277	10-12/13-15	2x 23.3
---	BV UI 304 0024	10	2x 110	1-3/6-8	2x 21	238	10-12/13-15	2x 27.2
---	BV UI 304 0131	10	2x 110	1-3/6-8	2x 7.5	667	10-12/13-15	2x 10

secondary fuse: external secondary PTC-resistors

data sheet	article no.	power VA	primary voltage V	connecting pins prim.	secondary voltage V	current sec. mA	connecting pins sek.	no-load voltage V
---	BV UI 304 0129	10	2x 115	1-3/6-8	2x 7.5	667	10-12/13-15	2x 10
---	BV UI 304 0136	10	2x 115	1-3/6-8	2x 15	333	10-12/13-15	2x 19.7
---	BV UI 304 0153	10	2x 115	1-3/6-8	2x 9	555	10-12/13-15	2x 12.4
---	BV UI 304 0154	10	2x 115	1-3/6-8	2x 12	416	10-12/13-15	2x 16
---	BV UI 304 0155	10	2x 115	1-3/6-8	2x 6	833	10-12/13-15	2x 8.7
---	BV UI 304 0159	10	2x 115	1-3/6-8	2x 18	277	10-12/13-15	2x 23.3
---	BV UI 304 0173	10	2x 115	1-3/6-8	2x 21	238	10-12/13-15	2x 27.2

secondary fuse: external secondary PTC-resistors

data sheet	article no.	power VA	primary voltage V	connecting pins prim.	secondary voltage V	current sec. mA	connecting pins sek.	no-load voltage V
---	BV UI 304 0135	10	2x 120	1-3/6-8	2x 18	277	10-12/13-15	2x 23.3
---	BV UI 304 0171	10	2x 120	1-3/6-8	2x 6	833	10-12/13-15	2x 8.7
---	BV UI 304 0172	10	2x 120	1-3/6-8	2x 15	333	10-12/13-15	2x 19.7

secondary fuse: external secondary PTC-resistors

[back to sizes](#)

Any product from this series with 2x115 V primary voltage may be delivered the following day if ordered before 12:00 o'clock CET.



article no. BV	power (ta 70/B)	size h (mm)	approx. weight in grs.	shipping-unit per box
BV UI 305 ....	16.0	37.6	370	30

data sheet	article no.	power VA	primary voltage V	connecting pins prim.	secondary voltage V	current sec. mA	connecting pins sek.	no-load voltage V
---	BV UI 305 0147	16	2x 115	1-3/6-8	2x 6	1330	10-12/13-15	2x 7.5
---	BV UI 305 0148	16	2x 115	1-3/6-8	2x 9	888	10-12/13-15	2x 10.9
---	BV UI 305 0149	16	2x 115	1-3/6-8	2x 12	666	10-12/13-15	2x 14.6
---	BV UI 305 0150	16	2x 115	1-3/6-8	2x 15	533	10-12/13-15	2x 18

---	BV UI 305 0151	16	2x 115	1-3/6-8	2x 18	444	10-12/13-15	2x 21.5
---	BV UI 305 0152	16	2x 115	1-3/6-8	2x 21	380	10-12/13-15	2x 25

secondary fuse: external secondary PTC-resistors

[back to sizes](#)

**We also supply other dimensions and performance data.**

**Ask us, we shall be glad to meet your special requirements!**

## X-ON Electronics

Largest Supplier of Electrical and Electronic Components

*Click to view similar products for [Current Transformers](#) category:*

*Click to view products by [Hahn](#) manufacturer:*

Other Similar products are found below :

[MP3500](#) [BV UI 302 0156](#) [45029](#) [BV EI 302 2863](#) [BV EI 303 2809](#) [BV EI 303 3060](#) [BV EI 305 2309](#) [BV EI 306 3604](#) [BV EI 481 1295](#) [BV EI 481 1325](#) [BV UI 301 0133](#) [BV UI 302 0144](#) [BV UI 302 0161](#) [BV UI 304 0019](#) [BV UI 304 0129](#) [BV UI 304 0159](#) [BV UI 304 0173](#) [TI-EF16-2X4V-4W](#) [SPCT62/40150/5AVA3CL1](#) [SPCT62/30100/5AVA1CL1](#) [SPCT62/3075/5AVA1CL3](#) [SPCT62/40150/5AVA1.5CL1](#) [SPCT62/40200/5AVA2.5CL0.5](#) [SPCT62/40300/5AVA3CL0.5](#) [CTD-KIT](#) [44013](#) [44017](#) [44021](#) [44098](#) [44101](#) [44134](#) [44171](#) [44174](#) [44178](#) [44180](#) [44248](#) [44250](#) [44278](#) [44339](#) [44340](#) [44373](#) [44375](#) [44376](#) [44378](#) [44379](#) [44436](#) [44831](#) [B82801B0925A200](#) [PA3655NL](#) [PA3828NL](#)