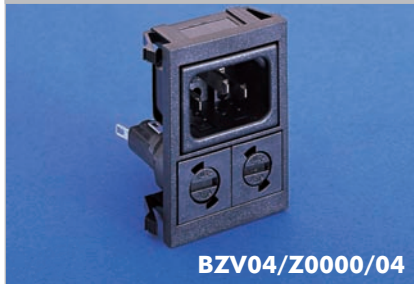
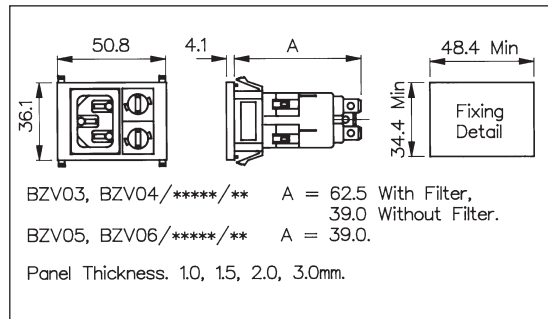


C14 and C16 IEC Inlet - Vertical

VERTICAL MODULE ARRANGEMENT



- Inlet with 2.8mm or 6.3mm tags
- Fuseholder/Voltage Selector/Indicator options/Blanking plate
- Filtered Inlet Option



How to Order

BZV xx / xxxxx / xx

Type of Inlet / Outlet	Filtered or Non Filtered Inlet	Combination of Other Components
<p>C14 Power Inlet (cold condition), 6.3 or 2.8mm tabs:</p> <p>03 = PX0575/63 04 = PX0575/28</p> <p>C16 Power Inlet (hot condition), 6.3 or 2.8mm tabs:</p> <p>05 = PX0595/63 06 = PX0595/28</p>	<p>Z0000 = Non Filtered</p> <p>Axxxx = Standard</p> <p>Bxxxx = Medical</p>	<p>Twin Fuseholder:</p> <p>04 = 2 x FX0359</p> <p>Voltage Selector and Fuseholder:</p> <p>14 = 1 x VS0001 + 1 x FX0359</p> <p>Voltage selector and Neon:</p> <p>37 = 1 x VS0001 + DX0928/110V/Red 38 = 1 x VS0001 + DX0928/110V/Green 39 = 1 x VS0001 + DX0928/250V/Red 40 = 1 x VS0001 + DX0928/250V/Green</p> <p>Fuseholder and Neon:</p> <p>41 = 1 x FX0359 + DX0928/110V/Red 42 = 1 x FX0359 + DX0928/110V/Green 43 = 1 x FX0359 + DX0928/250V/Red 44 = 1 x FX0359 + DX0928/250V/Green</p> <p>Fuseholder and Blanking Plate:</p> <p>45 = 1 x FX0359 + Blanking Plate</p> <p>Voltage Selector and Blanking Plate:</p> <p>B2 = 1 x VS0001 + Blanking Plate</p>

Please note type 05 and 06 are not available in filtered version

For Filtered inlet use 6th to 9th characters from filter ordering code see pages 125-126.
E.g. BZV04/**A0120**/04

IEC CONNECTORS

Note: For technical details of individual components please see page 106

X-ON Electronics

Largest Supplier of Electrical and Electronic Components

Click to view similar products for [bulgin manufacturer](#):

Other Similar products are found below :

[EXP-0931/03/P](#) [EXP-0931/04/P](#) [EXP-0941/02/P](#) [FX0180](#) [FX0296/1](#) [FX0359](#) [FX0415](#) [PX0410/10S/5560](#) [PX0580PC7](#) [PX0742/P/50OHM](#)
[PX0921/10/P](#) [PXM6010/03S/ST/0507/SN](#) [DX1116/RD](#) [BEP01SGT0](#) [EXP-0991](#) [EXP-A921/07/P](#) [FX0365](#) [FX0457](#) [PX041106S6570](#)
[PX041108S5560](#) [PX091104S01](#) [PXP7010/03S/ST/1113](#) [PXP7011/02P/ST/0709](#) [13826](#) [SX0780](#) [PXM6033TP](#) [KX0372](#) [14025](#)
[PXM6010/03S/ST/0507](#) [PXP7011/02S/ST/1113](#) [BVB01/Z0000/02](#) [A1048OAAAC](#) [C1353ATMBR3](#) [X8650VBBB076W](#) [C1553PBMBR3](#)
[C6053ALBG21197W](#) [H8600VBBR076W](#) [PXMBNI12RPF04DPCPG9](#) [PXMBNI12RPF05APCM16](#) [PXPPAM12RAM05ASTPG9](#)
[PXMBNI23FBF19ASC](#) [PXP4010/04S/4550](#) [PXPPVC08RAF05BCL010PVC](#) [H3141AAKAA](#) [H8550VBBBEN551W](#)
[PXMBNI08FPF03AFL003](#) [LH1050B](#) [C1353ARBG2-602AW-B](#) [PXMBNI12FBF08XSCPG9](#) [C6053ALBG31197W](#)