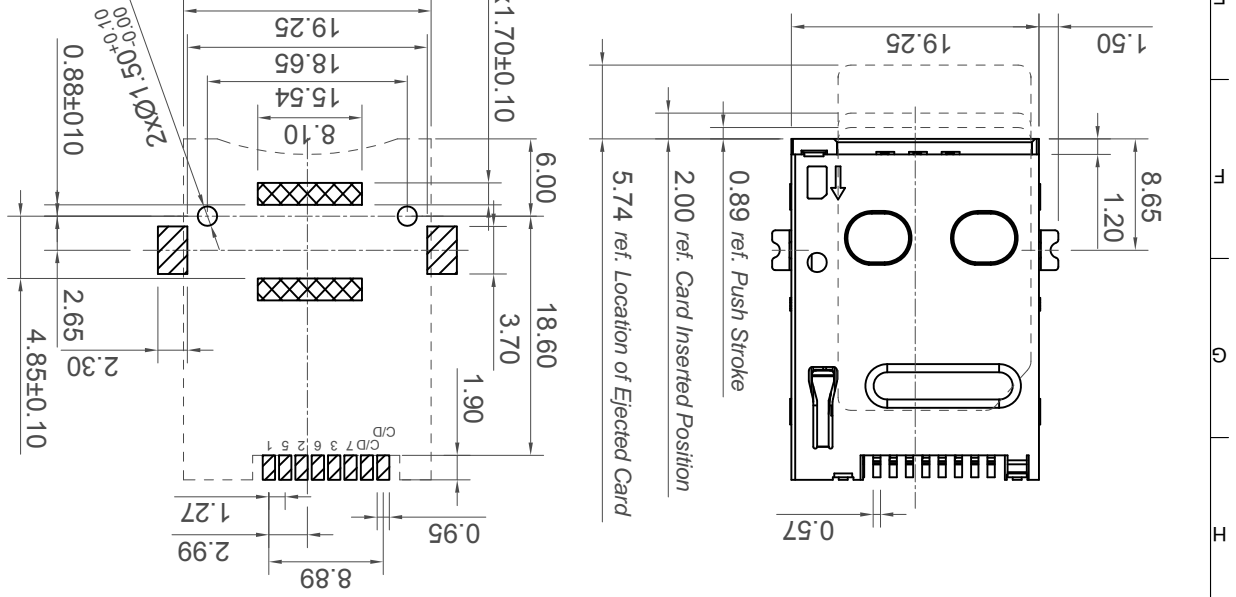
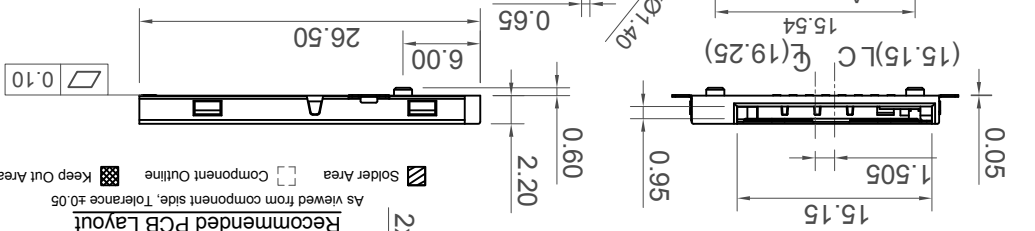
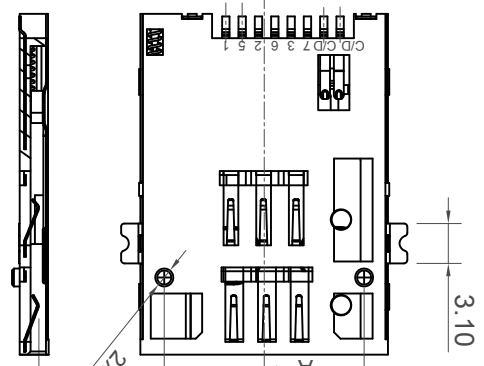


Card Inserted	Closed
Without Card	Open
Electric Function	Detect Switch

Without card	CD	GND
Card inserted	CD	GND

Switch Operation Diagram

Section A-A



Ordering Grid
SIM4055 - 6 - 1 - 22 - 01 - A

Request Samples and Quotation

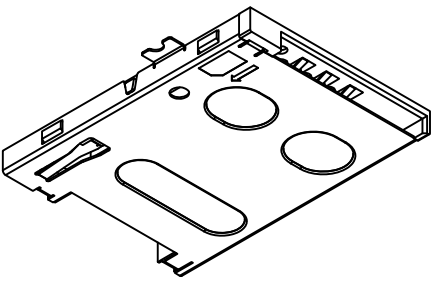
Packing Options
 A = Tape & Reel
 01 = With Post
 Locating Post
 1 = With Switch
 Card Detection Switch
 No. of Contacts
 6
 (0.6k per Reel)

Electrical 电气
 Voltage Rating 电压额定值: 5 V AC (R.M.S.) max.
 Current Rating 电流额定值: 0.5 A DC max.
 Operating Temperature 工作温度: -55°C to +85°C
 Contact Resistance 接触电阻值: 80 mΩ max.
 Insulating Resistance 绝缘电阻值: 500 MΩ min.
 Dielectric Withstand Voltage 耐受电压: 250 V AC
 Mechanical & Environmental 机械 & 环境
 Durability 耐久性: 5,000 cycles
 Insertion / Withdrawal Force 插拔力: 13.8N

Plating 电镀规格:
 Contact Terminal plating 接触端子部分电镀:
 Under-plating 底层电镀: 50µ" min. Nickel all over
 Contact Area 接触部分: 15µ" Gold
 Soldering Area 焊接部分: Gold Flash
 Switch Terminal plating 开关端子部分电镀:
 Under-plating 底层电镀: 50µ" min. Nickel all over
 Contact Area 接触部分: 15µ" Gold
 Soldering Area 焊接部分: Gold Flash
 Soldering Area 焊接部分: Gold Flash
 Metallic Shell plating 金属外壳电镀:
 Under-plating 底层电镀: 50µ" min. Nickel all over
 Soldering Area 焊接部分: 2µ" Selective Gold on one side

Material 物料
 Plastic Housing 塑胶外壳: Hi-Temp Thermoplastic UL94V-0, Black
 Contact Terminal 接触端子: Phosphor Bronze
 Metallic Shell 金属外壳: Stainless Steel

Specifications 规格



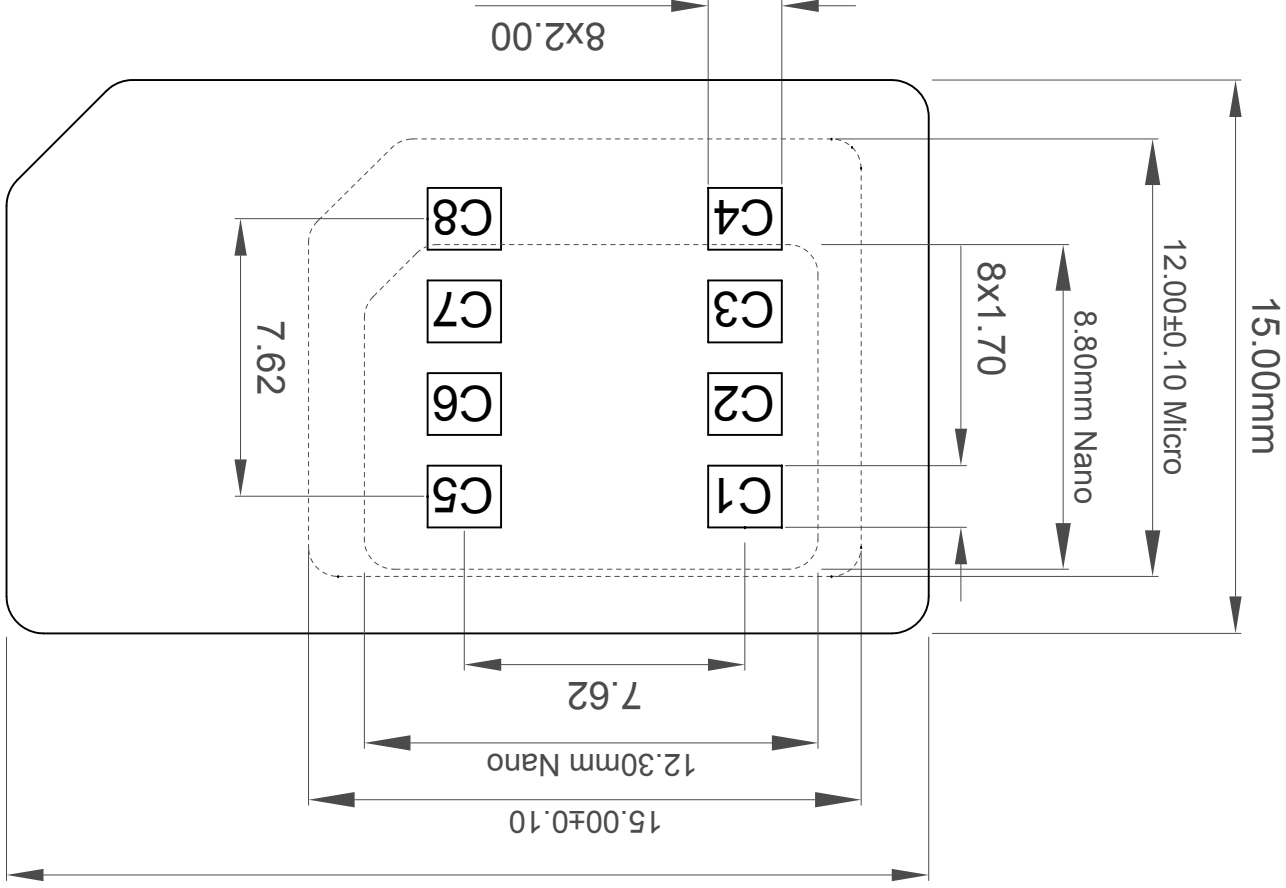
Part Number	SIM4055
Drawing Date	9th April 2008
Product Description	SIM Card Connector - 2.2mm Profile Push-Push type 6 Pin, SMT, with Card Detect
By	AJO
Detail	Packing Length X ± 0.30
Layout	X ± 0.20
Revision	G1
Date	09/01/15
Tolerances (except as noted)	X XXX ± 0.005
Units:	Metric (mm)
Angle Projection	3rd Angle Projection
ROHS COMPLIANT 2011	ROHS COMPLIANT 2011
Scale	1:1
Drawn By	PKN
Sheet No.	1/3

Global Connector Technology
GCT
 www.gct.co

Mini SIM Reference

thickness = 0.76 ± 0.08

25.00mm Mini!



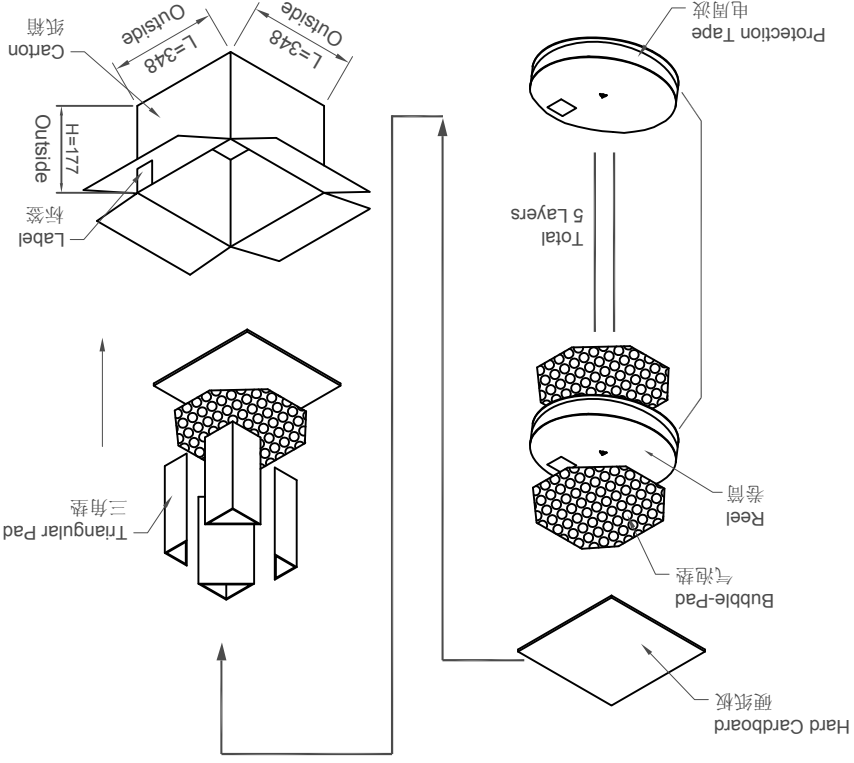
C1	VCC
C2	RST
C3	CLK
C4	RFU
C5	GND
C6	Vpp
C7	I/O
C8	RFU

Part Number	SIM4055
Drawing Date	9th April 2008
By	AJO
Detail	Packing Layout
Revision	G1
Date	09/01/15
Tolerances (except as noted)	
Units:	Metric (mm)
Push-Push type 6 Pin, SMT, with Card Detect	
Product Description	
SIM Card Connector - 2.2mm Profile	
This drawing is confidential and copyright of Global Connector Technology, Ltd (GCT)	
This drawing must not be copied or disclosed without written consent. E & OE	
Scale	Not to Scale
Drawn By	PKN
Sheet No.	2/3

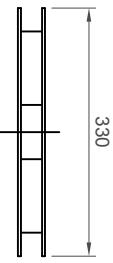
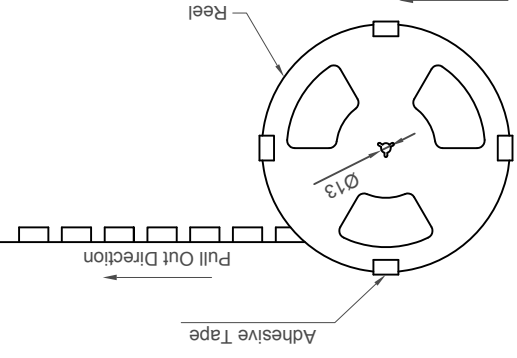
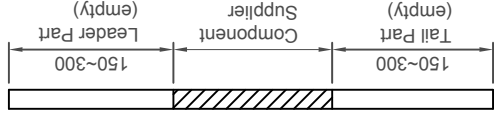
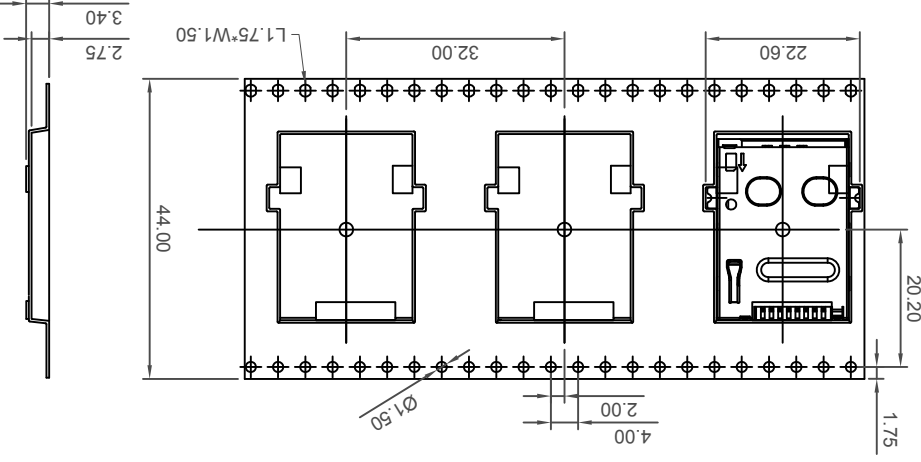


Global Connector Technology
www.gct.co





- Notes 注意:
- The 1st & Last 200-300mm at the leading & tail of the CARRY TAPE will not be used CARRY TAPE 前部分与尾部分各留出200-300mm长度不装产品
 - Each cavity will hold 1pc. Placement methods are shown in the diagrams. 每穴放置1pc产品，放置方式如图所示
 - After the packing machine filled the REEL, tangle the REEL one more loop with protection tape, stick adhesive tape on the four quadrants of the REEL, to avoid out-spreading. Stick 1pc. of label on each REEL. 包装机包好后，再缠上一圈电周波，在REEL的四个象限点上胶带，以防止REEL张开，每REEL贴1PC标签
 - Use sticking cover tape to seal carrier tape. 使用自粘式载带
 - Firstly put a water-proof bag at the bottom of the carton box, then place 1pc. of hard cardboard on top, following with 1pc. of bubble-pad, and at the four corners, place the triangular pads, then place those filled REEL into the center of the carton box. Between the REEL, place 1pc. of bubble-pad as the separator, until 5pc. of REEL are filled in the box. Then place 1pc of bubble-pad & 1pc. of hard cardboard on top, close the carton by plastic tape lastly. 先在纸箱底部套上一防水袋，再垫上1pc硬纸板后再垫上1pc气泡垫，四角垫上三角垫，度然后把装好产品的REEL放进纸箱中，每REEL之间隔1pc气泡垫，依次把5 REEL产品放到纸箱中，上面再垫上各1pc气泡垫及硬纸板，最后用胶带封箱
 - The peel-off force between the COVER TAPE & CARRY TAPE is: 0.1N-0.7N (variation within 0.3N). Peel-off angle: 165-175 degree. Speed of peel-off: 250mm-300mm/min. COVER TAPE 与 CARRY TAPE 剥离力: 0.1N-0.7N (跳动量在0.3N以内)剥离角度: 165-175度; 剥离速度: 250mm-300mm/分钟



Part Number	SIM4055
Drawing Date	9th April 2008
By	AJO
Detail	Packing Layout
Revision	G1
Date	09/01/15
Tolerances (except as noted)	Units: Metric (mm)
3rd Angle Projection	ROHS COMPLIANT 2011 LABEL
Copyright of Global Connector Technology, Ltd (GCT)	©
This drawing is confidential and consent, E & OE or disclosed without written	
Product Description	SIM Card Connector - 2.2mm Profile Push-Push type 6 Pin, SMT, with Card Detect
Scale	1:1
Drawn By	PKN
Sheet No.	3/3

GCT
Global Connector Technology
www.gct.co

X-ON Electronics

Largest Supplier of Electrical and Electronic Components

Click to view similar products for [get manufacturer:](#)

Other Similar products are found below :

[BG302-03-A-L-G](#) [BD021-09A-A1-0350-0200-0550-LD](#) [BG095-10-A-N-D](#) [SIM7200-6-0-18-00-A](#) [BG165-04-A-A-N-H](#) [BC070-06-A-1-L-D](#)
[BG120-10-A-0-N-D](#) [SIM7050-8-0-00-A](#) [BF020-03-A-B-0600-0300-N-G](#) [DCJ250-15-A-K1-C](#) [BG030-06-A-0450-0300-N-G](#) [DCJ065-05-A-](#)
[K1-A](#) [USB4085-GF-A](#) [BC085-08-A-0390-L-D](#) [BC034-10-A-V-0150-L-D](#) [BG300-06-A-L-A](#) [BG301-02-A-0540-L-B](#) [BG095-07-A-N-D](#)
[BG040-06-A-0450-0300-N-G](#) [BG030-04-A-0450-0300-N-G](#) [USB3105-30-A](#) [BD020-10-A-J-0350-0300-L-G](#) [BG303-04-A-0300-L-G](#)
[DCJ235-05-A-K1-K](#) [BG301-05-A-0540-L-B](#) [BC050-06A-K0-0200-0160-0480-LG](#) [MEM2075-00-140-01-A](#) [USB4055-30-A](#) [BG055-04A-1-](#)
[0450-0530-0350-L-G](#) [BC050-10A-K0-0200-0160-0480-LD](#) [BC070-20-A-1-L-D](#) [MEM2067-02-180-00-A](#) [BG120-04-A-0-N-D](#) [BC085-06-A-](#)
[0390-L-D](#) [BC050-08A-K0-0200-0160-0480-LG](#) [BC050-14A-K0-0200-0160-0480-LD](#) [DCJ250-10-A-K1-K](#) [BG302-05-A-L-G](#) [USB4065-30-A](#)
[USB1035-GF-P-0-B-B](#) [BF085-02-A-0240-N-G](#) [BG050-10A-0-0450-0737-0350-L-D](#) [BG302-04-A-L-G](#) [BG055-03A-1-0650-0530-0350-L-G](#)
[BC075-08-A-L-D](#) [BC032-06-A-2-0200-0200-L-D](#) [BF020-02-A-B-0400-0300-N-G](#) [BD020-03-A-J-0350-0300-L-G](#) [BC050-12A-K0-0200-](#)
[0160-0480-LD](#) [USB3160-30-0170-1-C](#)