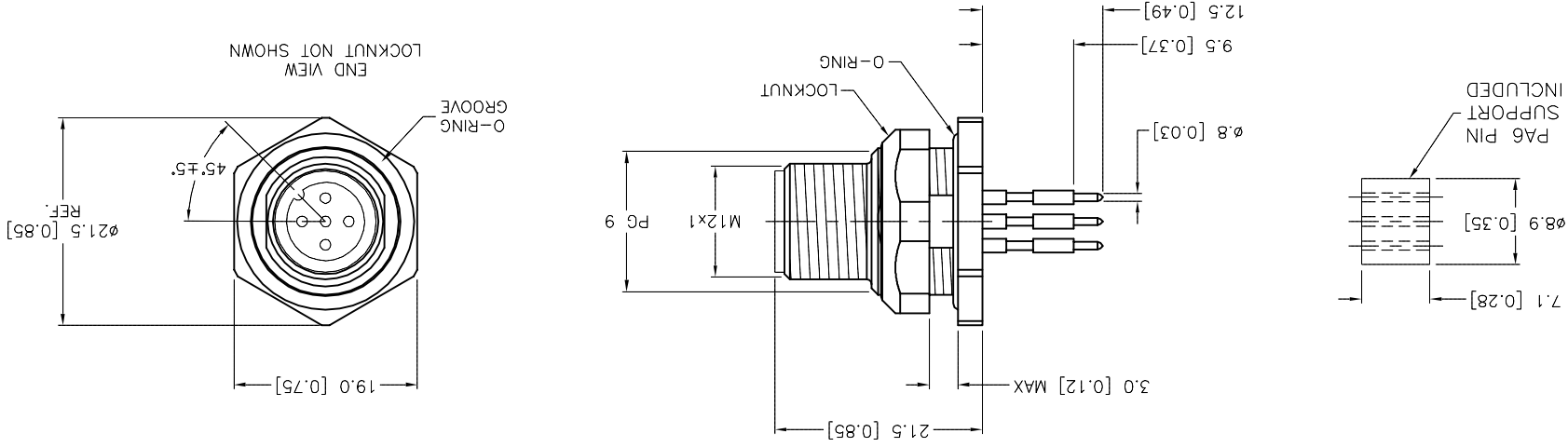


REV	DESCRIPTION	BY	DATE	ECO NO.
G	DRAWING PROCESSED AS PART OF ECO 33971	CBM	04/07/11	33971
MATERIAL 1. 2. 3. 4.				
RELATED DOCUMENTS SEE SPECIFICATIONS				
FINISH SEE SPECIFICATIONS				
ALL DIMENSIONS DISPLAYED ON THIS DRAWING ARE FOR REFERENCE ONLY CONTACT TURCK FOR MORE INFORMATION				
MILLIMETER [ INCH ] UNIT OF MEASUREMENT		DFT JBU DATE 12/17/96		
IDENTIFICATION NO. US118-51 FSFD 4.5		DSGN SCALE 1 = .8		
DESCRIPTION <b>TURCK INC</b> High Technology Sensors and Automation Controls 3000 CAMPUS DRIVE MINNEAPOLIS, MN 55441 1-800-544-7769 (763) 553-7300 (763) 553-0708 fax turck.com		THIS DRAWING IS CONFIDENTIAL AND THE PROPERTY OF TURCK INC. USE OF THIS DOCUMENT WITHOUT WRITTEN PERMISSION IS PROHIBITED.		
FILE: US118-51 DO NOT SCALE THIS DRAWING		SHEET 1 OF 1		

SOURCE DRAWING - FOR REFERENCE ONLY



SPECIFICATIONS		TYPICAL PANEL CUTOUT	BOARD LAYOUT	MALE END VIEW
CONTACT CARRIER MATERIAL	NYLON OR TPU			
CONTACT MATERIAL/PLATING	BRASS/GOLD			
HOUSING, LOCKNUT MATERIAL/PLATING	BRASS/NICKEL			
O-RING MATERIAL	NITRILE			
RATED CURRENT [A]	4.0 A			
RATED VOLTAGE [V]	250 V			
NUMBER OF CONDUCTORS [AWG]	5 PRINTED CIRCUIT PINS			
TEMPERATURE RATING	-40°C to +105°C (-40°F to +221°F)			
PROTECTION CLASS	MEETS NEMA 1,3,4,6P AND IEC IP68			

## X-ON Electronics

Largest Supplier of Electrical and Electronic Components

*Click to view similar products for [turck](#) manufacturer:*

Other Similar products are found below :

[BI10-M30-AP6X-H1141](#) [BI2-G12-AZ33X-7M](#) [BS4151-0/13.5](#) [NI12U-G18-ADZ30X2-B1331](#) [NI12U-M18-AN4X](#) [BI1.5-G08K-AN6X](#) [BI5-G18-AZ3X](#) [BI5-G18-AZ3X-B1331-50MM](#) [VB20](#) [B 5143-0](#) [BMWS 8151-0/9](#) [BI30U-CK40-AP6X2-H1141](#) [NI12U-M18-AP6X-H1141](#) [NI4U-EG08-AN6X-H1341](#) [BS 4151-0/9](#) [NI5-G12-AP6X-H1141](#) [NI14-G18-ADZ30X2](#) [FEN20-4DIP-4DXP-DIN](#) [BC10-QF5.5-RN6X2](#) [PKG 3M-4/S90](#) [FCS-N1/2A4P-AP8X-H1141](#) [FKFD 4.5](#) [RK40-2M](#) [BI5-G18-AP6X-B1441/S34](#) [NI3-EG08K-Y1-H1341](#) [RI360P0-QR24M0-INCRX2-H1181](#) [BCF5-S18-RP4X/S90](#) [BI5-M18-Y0X-H1141](#) [NI35U-CK40-ADZ30X2-B3131 W/BS4](#) [WK 4T-2](#) [IM1-22EX-T](#) [RK 4T-10](#) [BI 2-EG08K-AP6X-V1131](#) [NI12U-MT18-AP4X-H1141](#) [BI1.5-EG08-AP6X-H1341](#) [BC 5-Q08-AP6X2-V1131](#) [BC5-S18-Y1X](#) [CT 2-A30/M](#) [C10-T13X/024VDC](#) [FDN20-4S-4XSG-E](#) [FKV-CC](#) [FSFD 8](#) [CMBS 8141-0](#) [BI10-M30-AN6X-H1141](#) [CMB 8151-0](#) [WK 4.5T-2/S618](#) [VB80-P7X9-8/CS12](#) [FKFD 8](#) [NI4U-EG08-RP6X-V1131](#) [PKW 3M-6](#)