

4

3

2

1

THIS DRAWING IS UNPUBLISHED. RELEASED FOR PUBLICATION  
 © COPYRIGHT - By - ALL RIGHTS RESERVED.

LOC		DIST		REVISIONS			
P	LTR	DESCRIPTION		DATE	DWN	APVD	
	H3	REVISED PER ECO-14-009325		23JUN2014	NK	RH	

CIRCUIT DIAGRAM

P.C. BOARD LAYOUT

MATERIALS:

CASE: NYLON- 4/6 UL94V-0, COLOR- SEE CHART  
 COVER: NICKEL SILVER  
 ACTUATOR: COPPER ALLOY  
 MOVING CONTACT: STAINLESS STEEL, SILVER FINISH  
 FIXED CONTACT/TERMINAL: COPPER ALLOY, SILVER FINISH

ELECTRICAL:

MAX CONTACT RATING: 50MILLIAMPS@24V DC  
 MIN CONTACT RATING: 10MICROAMPS@1V DC  
 INITIAL CONTACT RESISTANCE: 100 MILLIOHMS MAX  
 INSULATION RESISTANCE: 100 MEGAOHMS @ 100 VDC MIN  
 DIELECTRIC STRENGTH: 500 VDC  
 LIFE EXPECTANCY: SEE TABLE

MECHANICAL:

ACTUATION FORCE: SEE TABLE  
 ACTUATION TRAVEL: 0.25 +0.1/-0.2

ENVIRONMENTAL:

OPERATING TEMPERATURE: -35°C TO 85°C  
 STORAGE TEMPERATURE: -35°C TO 85°C  
 SOLDER HEAT RESISTANCE, PER TEC-109-201 COND B.

1 TAPE AND REEL PER EIA 481, 4,000 PCS, PER REEL, TAPE WIDTH 12.00MM, PITCH 8.00MM  
 2 ALL MATERIALS AND FINISHES SHALL COMPLY WITH EU DIRECTIVE 2002/95/EC OF 27JAN2003 (ROHS)

MIN 500,000	FSMCTATR	260±50gf	IVORY	8-1437565-1
MIN 1,000,000	FSMCTTR	160±50gf	BLACK	8-1437565-0
LIFE CYCLES	FORMER T&B PART	ACTUATION FORCE	CASE COLOR	PART NUMBER
THIS DRAWING IS A CONTROLLED DOCUMENT.		DWN M.BINNER 18MARG4	TE Connectivity MICRO MINIATURE PUSHBUTTON SWITCH	
DIMENSIONS: mm		CHK M.SARVER 23MARG4		
TOLERANCES UNLESS OTHERWISE SPECIFIED:		APVD M.SARVER 23MARG4		
0 PLC ± - 1 PLC ± - 2 PLC ± .20 3 PLC ± - 4 PLC ± - ANGLES ± 1° FINISH -		PRODUCT SPEC - APPLICATION SPEC -		
MATERIAL		WEIGHT	SIZE A2	CAGE CODE 00779
-		-	DRAWING NO C=8-1437565-0	
-		CUSTOMER DRAWING		RESTRICTED TO -
-		SCALE 10:1	SHEET 1 of 2	REV H3

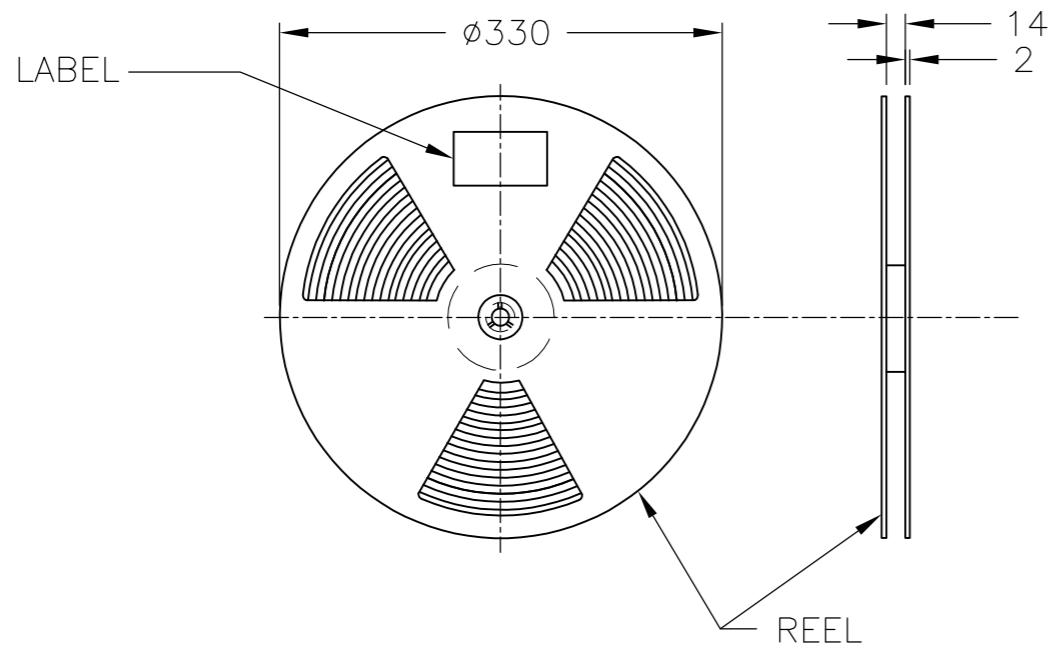
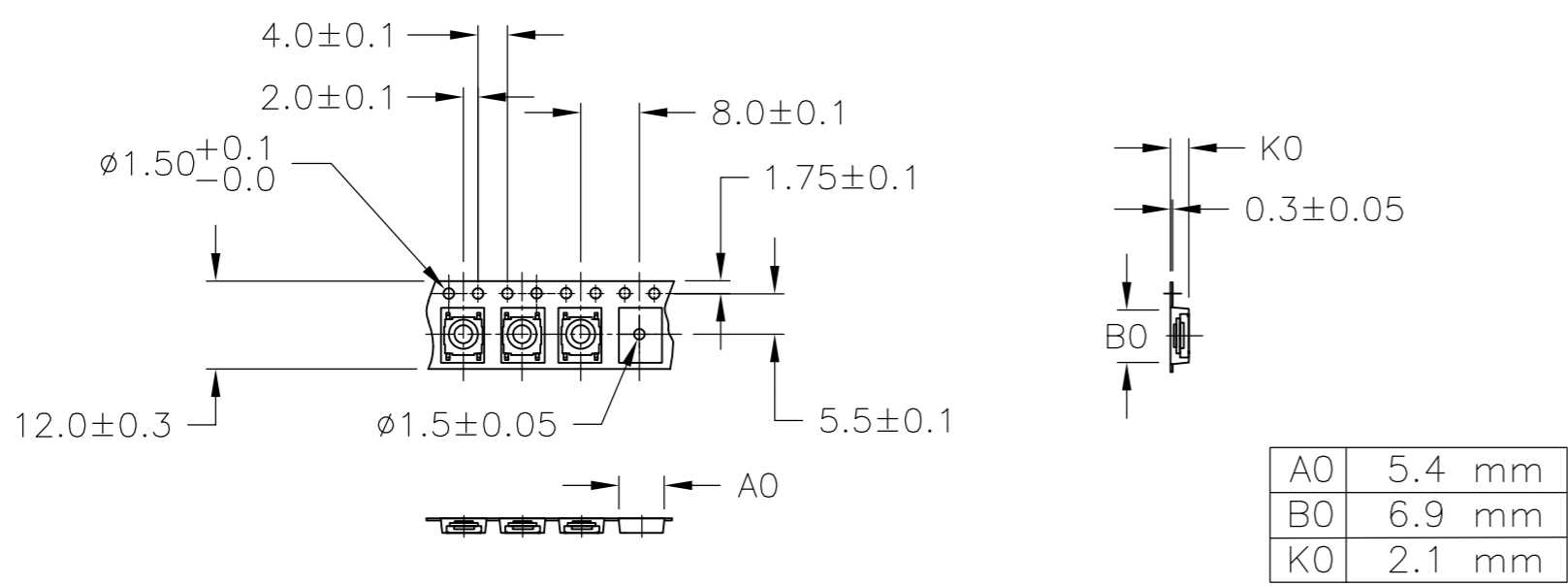
1471-9 (3/11)

8-1437565-0

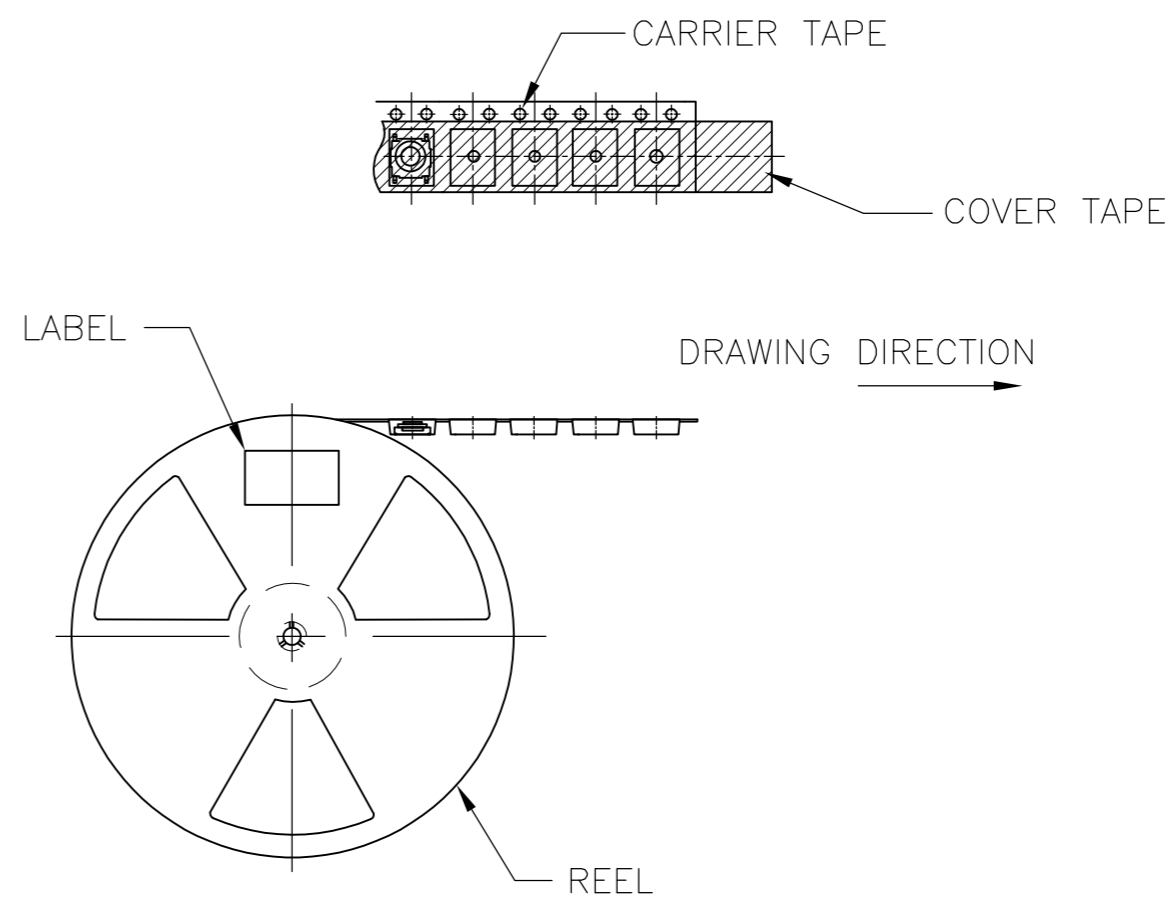
THIS DRAWING IS UNPUBLISHED. RELEASED FOR PUBLICATION  
 © COPYRIGHT - By - ALL RIGHTS RESERVED.

LOC		DIST		REVISIONS			
P	LTR	DESCRIPTION	DATE	DWN	APVD		
-	-	SEE SHEET 1	-	-	-		

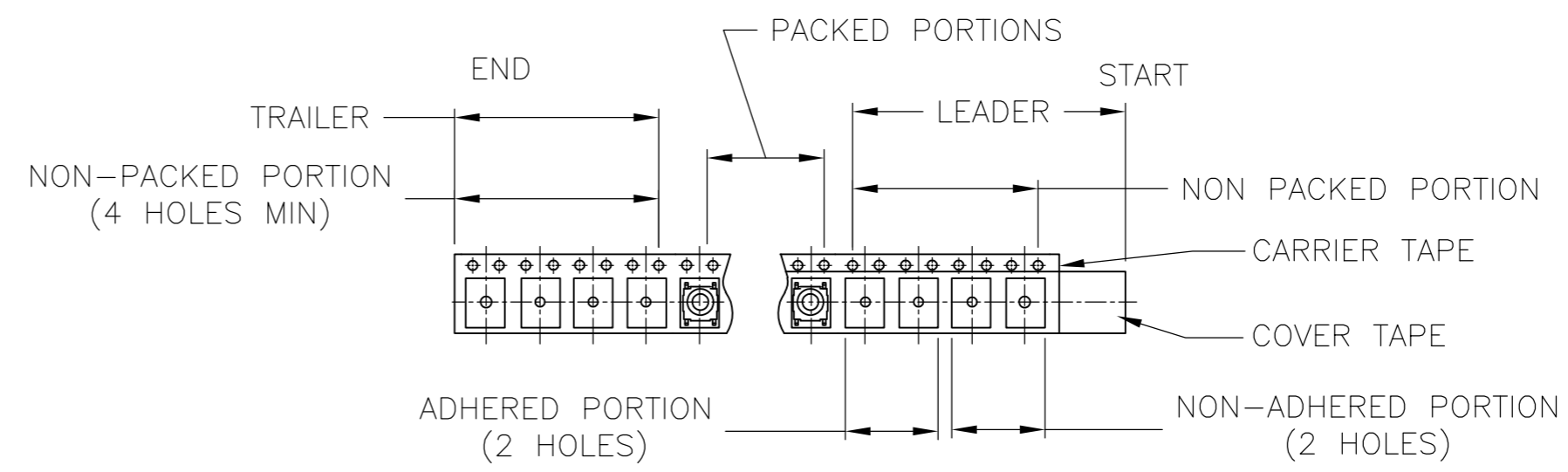
THE DIMENSION OF CARRIER TAPE, COVER TAPE AND REEL



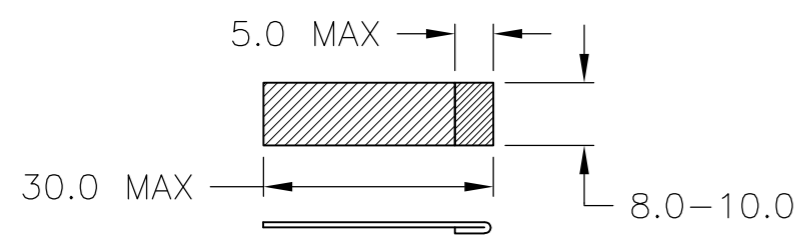
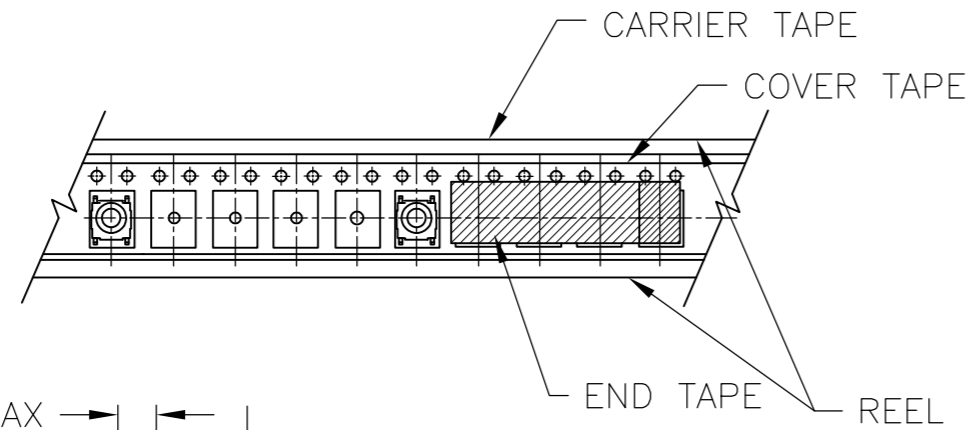
THE DIRECTION OF PILOT HOLES



THE DIRECTION OF PILOT HOLES



\*END TAPE\*



1 4.000 PCS SWITCHES PER 1 REEL

THIS DRAWING IS A CONTROLLED DOCUMENT.		DWN	M.BINNER	18MAR04		TE Connectivity						
DIMENSIONS: mm		CHK	M.SARVER	23MAR04		NAME						
TOLERANCES UNLESS OTHERWISE SPECIFIED:		APVD	M.SARVER	23MAR04		PRODUCT SPEC						
0 PLC ± - 1 PLC ± - 2 PLC ± .20 3 PLC ± - 4 PLC ± - ANGLES ± 1°		APPLICATION SPEC		MICRO MINIATURE PUSHBUTTON SWITCH								
MATERIAL	FINISH	WEIGHT	-		SIZE	A2	CAGE CODE	00779	DRAWING NO	C=8-1437565-0	RESTRICTED TO	-
-		-		CUSTOMER DRAWING		SCALE	1:1	SHEET	2 OF 2	REV	H3	

## X-ON Electronics

Largest Supplier of Electrical and Electronic Components

*Click to view similar products for te connectivity manufacturer:*

Other Similar products are found below :

[570416-000](#) [CLTEQ-M81CE-SSRELAY-4-20V](#) [4-1633138-8](#) [1-2217206-1](#) [D38999/24FJ4AN](#) [358838-000](#) [4-1195131-0](#) [650069-000](#)  
[SMD100-2](#) [CB-1022B-78](#) [RM707012](#) [RP410012](#) [MMS42](#) [1-640426-8](#) [2EDL4CM](#) [DTS20W19-11PD-3028](#) [DTS20W19-11PD-3028-LC](#)  
[DTS20W19-32SD-3028-LC](#) [DTS20W19-32SD-3028](#) [RM202615](#) [NC6-P104-06](#) [TXR64AB90-3616AI](#) [MSPS103B](#) [DTS26F21-41HE](#)  
[DTS26F21-41AE](#) [DTS26F21-41PE-LC](#) [DTS26F21-11SE-3028-LC](#) [1932144-1](#) [293545-4](#) [LVR125S](#) [MS27466T25F4PB](#) [CKB-38-78010](#)  
[1206SFF150F/63-2](#) [5-2027513-8](#) [D38999/20JB35HA](#) [D38999/24WJ20PA](#) [1754138-1](#) [TE1500A2R2J](#) [DTS24F25-29PC-3028-LC](#) [164-8033-](#)  
[08](#) [D38999/24WG11HA](#) [D38999/24WG11HN](#) [MS27467T21F11H](#) [DJT16E21-11HA](#) [1206SFH150F/24-2](#) [1-532955-3](#) [DTS20W19-32SA-](#)  
[3028-LC](#) [DTS24F19-11SC-3028-LC](#) [DTS24F19-11SC-3028](#) [D38999/20WC8BB](#)