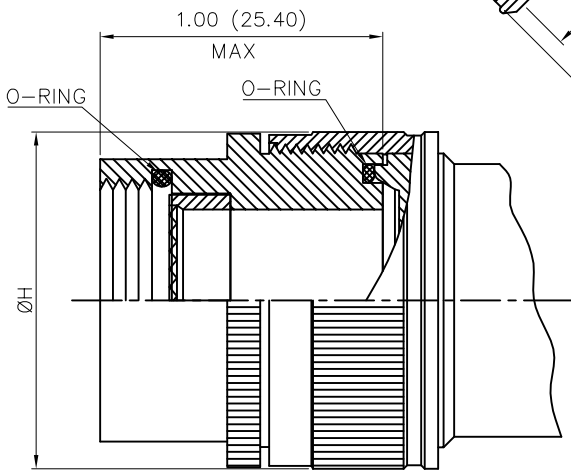
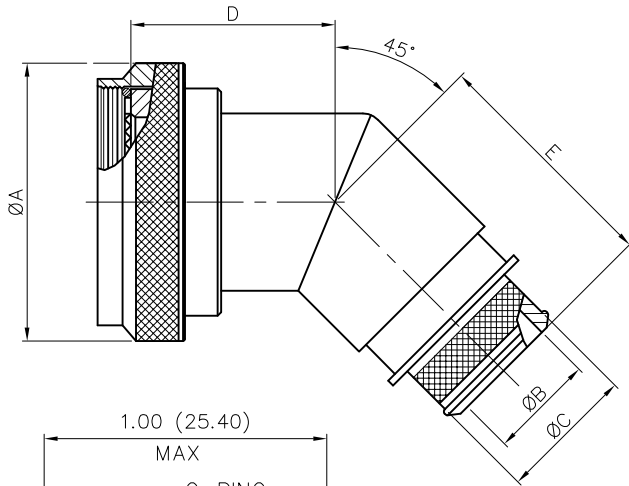
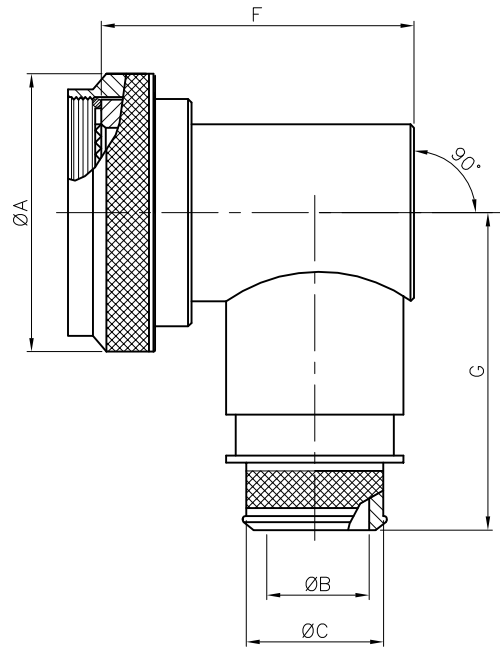
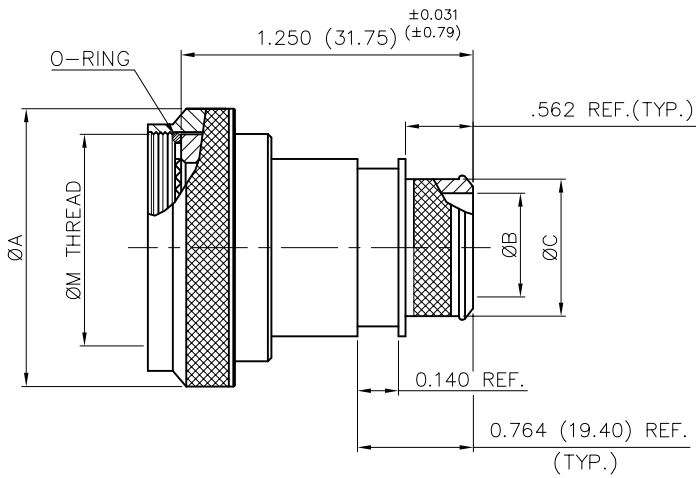


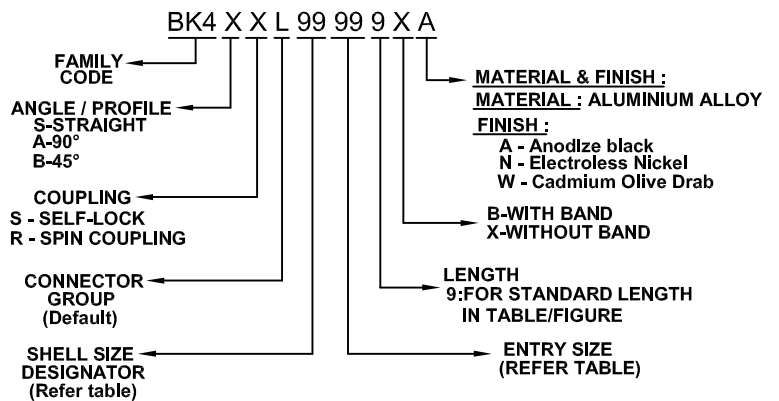
Issue No.	Eng. Ref. No.	REVISIONS	Date	App. By
1	--	ORIGINAL	17/03/09	<i>paramesh</i>
3	1232	ØA DIMENSION CHANGED	16/04/09	<i>paramesh</i>

BAND LOCK BACKSHELL :-



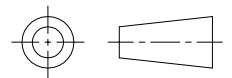
STYLE-2 : MODIFICATION

PART NUMBERING SYSTEM :-



Amphenol
AIPL

TITLE **BAND LOCK ADAPTER (BK4)**
FOR CONNECTORS MIL-C-38999 SERIES III & IV



All Dimensions are in
INCHES(MM)

STANDARD

	Name	Date
Drawn by	<i>Santhosh</i>	16/03/09
Checked by	<i>Vinod</i>	17/03/09
App.by	<i>paramesh</i>	17/03/09

Dwg. Size
A4

Dwg.No.	PSTDBS237
Doc. No.:	QF-DEV-76
REV. NO. :	02
Sheet	1 OF 2

Issue No.	Eng. Ref. No.	REVISIONS	Date	App. By
1	--	ORIGINAL	17/03/09	paramesh
3	1232	ØA DIMENSION CHANGED	16/04/09	paramesh

☞ DIMENSIONS :-

SHELL SIZE DESIGNATOR	MAX. ENTRY SIZE	CONNECTOR SHELL SIZE/CODE	ØA MAX.		ØM THREADS	D MAX.		E MAX.		G MAX.		F MAX.	
			INCH	MM		INCH	MM	INCH	MM	INCH	MM	INCH	MM
08	04	09/A	0.75	19.10	M12X1.0	0.52	13.20	1.15	29.21	1.28	32.51	0.84	21.33
10	06	11/B	0.85	21.60	M15X1.0	0.54	13.72	1.17	29.72	1.34	34.03	0.97	24.64
12	08	13/C	1.00	25.40	M18X1.0	0.57	14.48	1.20	30.50	1.41	35.81	1.09	27.69
14	10	15/D	1.15	29.20	M22X1.0	0.59	14.99	1.23	31.25	1.47	37.33	1.22	30.98
16	12	17/E	1.25	31.80	M25X1.0	0.62	15.75	1.25	31.75	1.53	38.86	1.34	34.03
18	13	19/F	1.40	35.60	M28X1.0	0.63	16.00	1.26	32.00	1.59	40.38	1.41	35.81
20	15	21/G	1.50	38.10	M31X1.0	0.66	16.76	1.29	32.76	1.66	42.16	1.53	38.86
22	17	23/H	1.65	41.90	M34X1.0	0.68	17.30	1.32	33.53	1.72	43.68	1.66	42.16
24	19	25/J	1.75	44.50	M37X1.0	0.71	18.00	1.34	34.03	1.78	45.21	1.78	45.21

☞ ENTRY SIZE DIMENSIONS :-

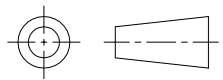
ENTRY SIZE	ØB +0.010-0.020 (+0.25-0.50)		ØC ±0.015 (±0.381)		ØH MAX	
	INCH	MM	INCH	MM	INCH	MM
02	0.125	3.17	0.209	5.30	N/A	N/A
03	0.188	4.75	0.271	6.88	N/A	N/A
04	0.250	6.35	0.334	8.48	N/A	N/A
05	0.312	7.92	0.396	10.05	0.734	18.64
06	0.375	9.52	0.459	11.65	0.734	18.64
07	0.438	11.12	0.521	13.23	0.858	21.79
08	0.500	12.70	0.584	14.83	0.858	21.79
09	0.562	14.30	0.646	16.40	N/A	N/A
10	0.625	15.88	0.709	18.00	1.112	28.24
11	0.688	17.50	0.768	19.50	1.112	28.24
12	0.750	19.05	0.834	21.18	1.345	34.16
13	0.812	20.65	0.894	22.70	1.345	34.16
14	0.875	22.23	0.959	24.35	1.345	34.16
15	0.938	23.83	1.020	25.90	1.345	34.16
16	1.000	25.40	1.084	27.53	1.594	40.48
18	1.125	28.58	1.209	30.70	1.594	40.48
20	1.250	31.75	1.334	33.88	1.969	50.01
22	1.375	34.92	1.459	37.05	2.219	56.36
24	1.500	38.10	1.584	40.23	2.219	56.36

☞ MATERIAL :-

- ☞ Aluminium alloy as per ASTM B211 / B85
- ☞ Corrosion resistant steel as per AMS-QQ-S-763

☞ NOTE:

- ☞ When Maximum Cable Entry Exceed's Connector Shell Diameter, Style-2 will be Supplied.

Amphenol AIIPL			TITLE BAND LOCK ADAPTER (BK4) FOR CONNECTORS MIL-C-38999 SERIES III & IV				
			Dwg. No. PSTDBS237			All Dimensions are in INCHES(MM)	
			Dwg. No. PSTDBS237			STANDARD	
			Doc. No.: QF-DEV-76 REV. NO. : 02				
			Sheet 2 OF 2				
		Name		Date			
Drawn by		Santhosh		16/03/09			
Checked by		Vinod		17/03/09			
App. by		paramesh		17/03/09			
			Dwg. Size A4				

X-ON Electronics

Largest Supplier of Electrical and Electronic Components

Click to view similar products for [Standard Circular Contacts](#) category:

Click to view products by [Amphenol](#) manufacturer:

Other Similar products are found below :

[60261626SNCOND1](#) [M24308/2-12F](#) [M24308/4-14F](#) [12110600010](#) [RC16M23J](#) [129591AU](#) [1000B BULK](#) [RFM26W-1D28](#) [RM20M13D28](#)
[RM24M9D28](#) [MS3474W10-6P L/C](#) [ELFH02211](#) [ELVP16100E](#) [164-901-CD](#) [BACS16X1A](#) [1900ND05S1B00B](#) [1900ND09S1B00B](#)
[1900ND09S1X00D](#) [1900ND02P2B00A](#) [1900ND04S1X00D](#) [1900ND12P1B00A](#) [192900-0082](#) [192900-0356](#) [ST-JL05-16S-C3-100](#) [T01-](#)
[CRIMP-S03](#) [APK-SA16A07-002](#) [CONT-JL05-08S-C2-10](#) [RC16M-23T](#) [RFD26L-1D28](#) [M85049/124S13W](#) [33505815019](#) [JN1-22-20S-R-](#)
[PKG100](#) [031-50565](#) [031-50794](#) [SJS861301M](#) [CF16SC18RF](#) [CONT-JL05-08P-C1-10](#) [ST-JL05-16P-C1-100](#) [ST-JL05-16S-C1-100](#) [ST-JL05-](#)
[20P-C1-100](#) [ST-JN5-S-C1B-2500-\(A534G\)](#) [82911466K](#) [82911467NK](#) [84690-0106](#) [ESLM03200](#) [BACS16X3A](#) [M81714/67-21](#) [M24308/2-](#)
[11F](#) [HN0201600031](#) [M85049/118S20W](#) [031-50969-010](#)