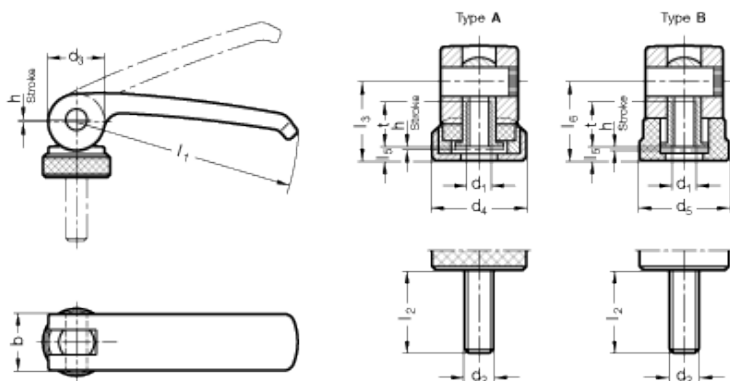


GN 927

Clamping levers with eccentric cam



technical informations

Lever body

Zinc alloy die-cast.

Colour

RAL 9005 black matte finish, epoxy resin coating.

Rotation pin

Zinc-plated steel.

Tapped bushing

Zinc-plated steel.

Contact plate

- Version A: glass-fibre reinforced acetal resin based (POM) technopolymer with adjustable contact plate.
- Version B: glass-fibre reinforced (PPS) technopolymer with non-adjustable contact plate.

Knurled base

Zinc-plated steel.

Clamping element

Zinc-plated steel with threaded stud.

Features and applications

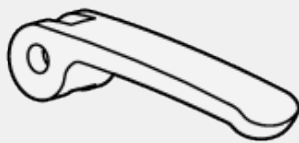
Clamping levers with eccentric cam GN 927 are used for rapid clamping and releasing operations. Hereby, contrary to a clamping operation via a thread, these levers permit a torque-free clamping.

The lever has been designed to ensure that its movement cannot exceed the max. clamping position.

There are no loose components since they are all assembled and mounted in their correct order.

The salient points of type A are as follows: The distance between the eccentric cam and the contact surface is adjustable by means of a fine threaded knurled nut. This allows the max. clamping force to be set by a simple adjustment. In addition this also allows the choice of the preferred lever position in relation to the clamping lever pin.

With these clamping levers with eccentric cam, thrusts of up to 8kN can be reached.



Plastic contact plate

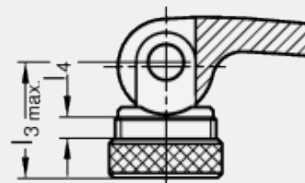
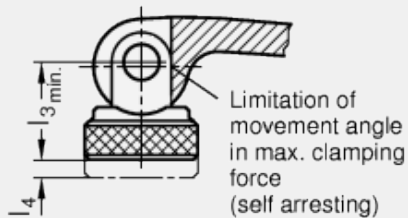


Lag nut/screw



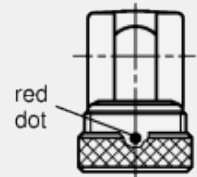
Setting nut

l_3 adjustable by the setting nut for optimum clamping force at the convenient lever position.



l_3 max. must not be exceeded, i.e. the red dot must not be visible.

Otherwise there is the risk that the positioning thread can no longer absorb the clamping force or may be damaged.



red dot

Standard Elements

Main dimensions

Thread

Weight

Description	l ₁	b	d ₃	d ₄	d ₅	h	l _{3 min.}	l _{3 max.}	l ₄	l ₅	l ₆	t	d ₂	l ₂	g
GN 927-63-M5-16-A	63	16	16	19	-	0.75	16.3	18.8	2.5	3	-	10	M5	16	50
GN 927-63-M5-16-B	63	16	16	-	18.5	0.75	-	-	-	3	16.3	10	M5	16	50
GN 927-63-M5-20-A	63	16	16	19	-	0.75	16.3	18.8	2.5	3	-	10	M5	20	61
GN 927-63-M5-20-B	63	16	16	-	18.5	0.75	-	-	-	3	16.3	10	M5	20	56
GN 927-63-M5-25-A	63	16	16	19	-	0.75	16.3	18.8	2.5	3	-	10	M5	25	56
GN 927-63-M5-25-B	63	16	16	-	18.5	0.75	-	-	-	3	16.3	10	M5	25	56
GN 927-63-M5-30-A	63	16	16	19	-	0.75	16.3	18.8	2.5	3	-	10	M5	30	63
GN 927-63-M5-30-B	63	16	16	-	18.5	0.75	-	-	-	3	16.3	10	M5	30	60
GN 927-63-M5-35-A	63	16	16	19	-	0.75	16.3	18.8	2.5	3	-	10	M5	35	65
GN 927-63-M5-35-B	63	16	16	-	18.5	0.75	-	-	-	3	16.3	10	M5	35	56
GN 927-63-M5-40-A	63	16	16	19	-	0.75	16.3	18.8	2.5	3	-	10	M5	40	56
GN 927-63-M5-40-B	63	16	16	-	18.5	0.75	-	-	-	3	16.3	10	M5	40	63
GN 927-63-M5-50-A	63	16	16	19	-	0.75	16.3	18.8	2.5	3	-	10	M5	50	56
GN 927-63-M5-50-B	63	16	16	-	18.5	0.75	-	-	-	3	16.3	10	M5	50	65
GN 927-63-M6-16-A	63	16	16	19	-	0.75	16.3	18.8	2.5	3	-	10	M6	16	60
GN 927-63-M6-16-B	63	16	16	-	18.5	0.75	-	-	-	3	16.3	10	M6	16	56
GN 927-63-M6-20-A	63	16	16	19	-	0.75	16.3	18.8	2.5	3	-	10	M6	20	59
GN 927-63-M6-20-B	63	16	16	-	18.5	0.75	-	-	-	3	16.3	10	M6	20	53
GN 927-63-M6-25-A	63	16	16	19	-	0.75	16.3	18.8	2.5	3	-	10	M6	25	60
GN 927-63-M6-25-B	63	16	16	-	18.5	0.75	-	-	-	3	16.3	10	M6	25	63
GN 927-63-M6-30-A	63	16	16	19	-	0.75	16.3	18.8	2.5	3	-	10	M6	30	61
GN 927-63-M6-30-B	63	16	16	-	18.5	0.75	-	-	-	3	16.3	10	M6	30	55
GN 927-63-M6-35-A	63	16	16	19	-	0.75	16.3	18.8	2.5	3	-	10	M6	35	62
GN 927-63-M6-35-B	63	16	16	-	18.5	0.75	-	-	-	3	16.3	10	M6	35	65
GN 927-63-M6-40-A	63	16	16	19	-	0.75	16.3	18.8	2.5	3	-	10	M6	40	66
GN 927-63-M6-40-B	63	16	16	-	18.5	0.75	-	-	-	3	16.3	10	M6	40	66
GN 927-63-M6-50-A	63	16	16	19	-	0.75	16.3	18.8	2.5	3	-	10	M6	50	68
GN 927-63-M6-50-B	63	16	16	-	18.5	0.75	-	-	-	3	16.3	10	M6	50	68
GN 927-82-M6-20-A	82	20	20	25	-	1	19.5	22.5	3	3.7	-	12	M6	20	120
GN 927-82-M6-20-B	82	20	20	-	22.5	1	-	-	-	3.7	19.5	12	M6	20	120
GN 927-82-M6-25-A	82	20	20	25	-	1	19.5	22.5	3	3.7	-	12	M6	25	120
GN 927-82-M6-25-B	82	20	20	-	22.5	1	-	-	-	3.7	19.5	12	M6	25	120
GN 927-82-M6-30-A	82	20	20	25	-	1	19.5	22.5	3	3.7	-	12	M6	30	120
GN 927-82-M6-30-B	82	20	20	-	22.5	1	-	-	-	3.7	19.5	12	M6	30	120
GN 927-82-M6-35-A	82	20	20	25	-	1	19.5	22.5	3	3.7	-	12	M6	35	120
GN 927-82-M6-35-B	82	20	20	-	22.5	1	-	-	-	3.7	19.5	12	M6	35	125
GN 927-82-M6-40-A	82	20	20	25	-	1	19.5	22.5	3	3.7	-	12	M6	40	120
GN 927-82-M6-40-B	82	20	20	-	22.5	1	-	-	-	3.7	19.5	12	M6	40	120
GN 927-82-M6-50-A	82	20	20	25	-	1	19.5	22.5	3	3.7	-	12	M6	50	122
GN 927-82-M6-50-B	82	20	20	-	22.5	1	-	-	-	3.7	19.5	12	M6	50	122
GN 927-82-M6-60-A	82	20	20	25	-	1	19.5	22.5	3	3.7	-	12	M6	60	122
GN 927-82-M6-60-B	82	20	20	-	22.5	1	-	-	-	3.7	19.5	12	M6	60	122
GN 927-82-M8-20-A	82	20	20	25	-	1	19.5	22.5	3	3.7	-	12	M8	20	123

GN 927-82-M8-20-B	82	20	20	-	22.5	1	-	-	-	3.7	19.5	12	M8	20	123
GN 927-82-M8-25-A	82	20	20	25	-	1	19.5	22.5	3	3.7	-	12	M8	25	123
GN 927-82-M8-25-B	82	20	20	-	22.5	1	-	-	-	3.7	19.5	12	M8	25	123
GN 927-82-M8-30-A	82	20	20	25	-	1	19.5	22.5	3	3.7	-	12	M8	30	124
GN 927-82-M8-30-B	82	20	20	-	22.5	1	-	-	-	3.7	19.5	12	M8	30	124
GN 927-82-M8-35-A	82	20	20	25	-	1	19.5	22.5	3	3.7	-	12	M8	35	125
GN 927-82-M8-35-B	82	20	20	-	22.5	1	-	-	-	3.7	19.5	12	M8	35	125
GN 927-82-M8-40-A	82	20	20	25	-	1	19.5	22.5	3	3.7	-	12	M8	40	128
GN 927-82-M8-40-B	82	20	20	-	22.5	1	-	-	-	3.7	19.5	12	M8	40	128
GN 927-82-M8-50-A	82	20	20	25	-	1	19.5	22.5	3	3.7	-	12	M8	50	131
GN 927-82-M8-50-B	82	20	20	-	22.5	1	-	-	-	3.7	19.5	12	M8	50	131
GN 927-82-M8-60-A	82	20	20	25	-	1	19.5	22.5	3	3.7	-	12	M8	60	134
GN 927-82-M8-60-B	82	20	20	-	22.5	1	-	-	-	3.7	19.5	12	M8	60	134
GN 927-101-M8-20-A	101	25	26	30	-	1.5	25.3	29.3	4	4.8	-	15	M8	20	224
GN 927-101-M8-20-B	101	25	26	-	27	1.5	-	-	-	4.8	25.3	15	M8	20	224
GN 927-101-M8-25-A	101	25	26	30	-	1.5	25.3	29.3	4	4.8	-	15	M8	25	227
GN 927-101-M8-25-B	101	25	26	-	27	1.5	-	-	-	4.8	25.3	15	M8	25	227
GN 927-101-M8-30-A	101	25	26	30	-	1.5	25.3	29.3	4	4.8	25.3	15	M8	30	227
GN 927-101-M8-30-B	101	25	26	-	27	1.5	-	-	-	4.8	25.3	15	M8	30	227
GN 927-101-M8-35-A	101	25	26	30	-	1.5	25.3	29.3	4	4.8	-	15	M8	35	228
GN 927-101-M8-35-B	101	25	26	-	27	1.5	-	-	-	4.8	25.3	15	M8	35	228
GN 927-101-M8-40-A	101	25	26	30	-	1.5	25.3	29.3	4	4.8	-	15	M8	40	232
GN 927-101-M8-40-B	101	25	26	-	27	1.5	-	-	-	4.8	25.3	15	M8	40	232
GN 927-101-M8-50-A	101	25	26	30	-	1.5	25.3	29.3	4	4.8	-	15	M8	50	233
GN 927-101-M8-50-B	101	25	26	-	27	1.5	-	-	-	4.8	25.3	15	M8	50	233
GN 927-101-M8-60-A	101	25	26	30	-	1.5	25.3	29.3	4	4.8	-	15	M8	60	237
GN 927-101-M8-60-B	101	25	26	-	27	1.5	-	-	-	4.8	25.3	15	M8	60	237
GN 927-101-M10-20-A	101	25	26	30	-	1.5	25.3	29.3	4	4.8	-	15	M10	20	230
GN 927-101-M10-20-B	101	25	26	-	27	1.5	-	-	-	4.8	25.3	15	M10	20	230
GN 927-101-M10-25-A	101	25	26	30	-	1.5	25.3	29.3	4	4.8	-	15	M10	25	231
GN 927-101-M10-25-B	101	25	26	-	27	1.5	-	-	-	4.8	25.3	15	M10	25	231
GN 927-101-M10-30-A	101	25	26	30	-	1.5	25.3	29.3	4	4.8	25.3	15	M10	30	234
GN 927-101-M10-30-B	101	25	26	-	27	1.5	-	-	-	4.8	25.3	15	M10	30	234
GN 927-101-M10-35-A	101	25	26	30	-	1.5	25.3	29.3	4	4.8	-	15	M10	35	237
GN 927-101-M10-35-B	101	25	26	-	27	1.5	-	-	-	4.8	25.3	15	M10	35	237
GN 927-101-M10-40-A	101	25	26	30	-	1.5	25.3	29.3	4	4.8	-	15	M10	40	238
GN 927-101-M10-40-B	101	25	26	-	27	1.5	-	-	-	4.8	25.3	15	M10	40	238
GN 927-101-M10-50-A	101	25	26	30	-	1.5	25.3	29.3	4	4.8	-	15	M10	50	242
GN 927-101-M10-50-B	101	25	26	-	27	1.5	-	-	-	4.8	25.3	15	M10	50	242
GN 927-101-M10-60-A	101	25	26	30	-	1.5	25.3	29.3	4	4.8	-	15	M10	60	250
GN 927-101-M10-60-B	101	25	26	-	27	1.5	-	-	-	4.8	25.3	15	M10	60	250

This product had the following design awards:



ELESA models all rights reserved in accordance with the law. Always mention the source when reproducing our drawings.

STANDARD MACHINE ELEMENTS WORLDWIDE

X-ON Electronics

Largest Supplier of Electrical and Electronic Components

Click to view similar products for [Bench Top Tools](#) category:

Click to view products by [Elesa & Ganter](#) manufacturer:

Other Similar products are found below :

[63801-7271](#) [5-690451-2](#) [570416-000](#) [59737-3](#) [6-1372442-6](#) [6-21084-7](#) [6-2119582-2](#) [63801-4462](#) [63801-7269](#) [639029070](#) [679527-1](#) [68284-1](#) [690223-2](#) [691530-1](#) [7-18023-8](#) [768514-1](#) [768539-1](#) [768597-1](#) [809696-1](#) [810408](#) [811070-1](#) [819347-1](#) [852772-1](#) [853858-1](#) [854130-1](#) [854178-1](#) [854946-1](#) [854946-2](#) [856189-1](#) [904262-1](#) [904449-1](#) [9-1633962-3](#) [9-1633962-4](#) [9-1633962-5](#) [9-22279-4](#) [9-22280-9](#) [970609-000](#) [986096-2](#) [1-1901695-2](#) [1-1901696-2](#) [992438-3](#) [1-1976053-3](#) [1-2119644-2](#) [1-2119644-3](#) [1-2119791-1](#) [1-25022-4](#) [125327-000](#) [122760-1](#) [1-23470-5](#) [126379-1](#)