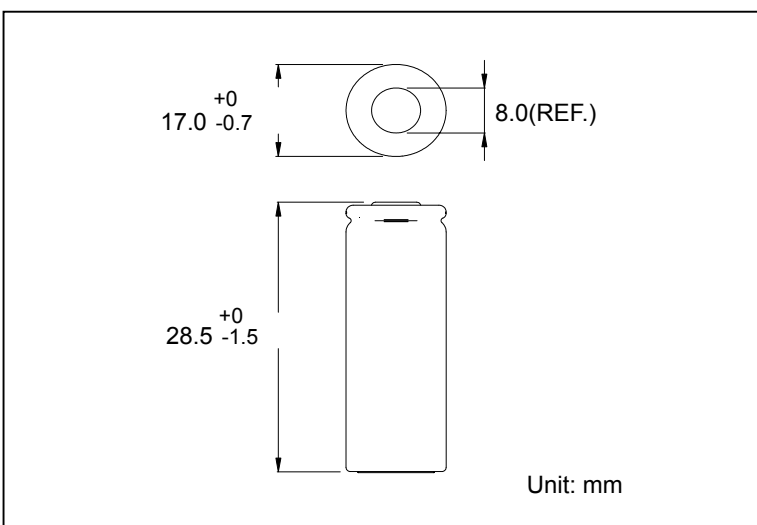


# GP Batteries

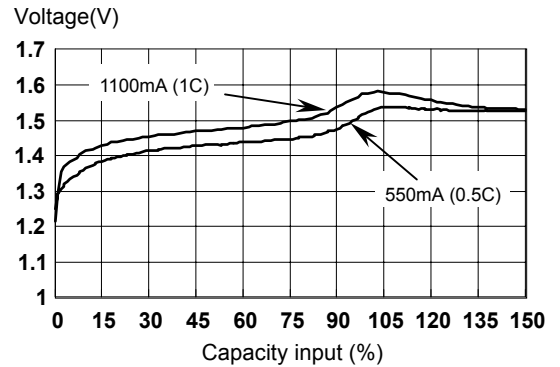
## Data Sheet

Model No.: GP110AFH

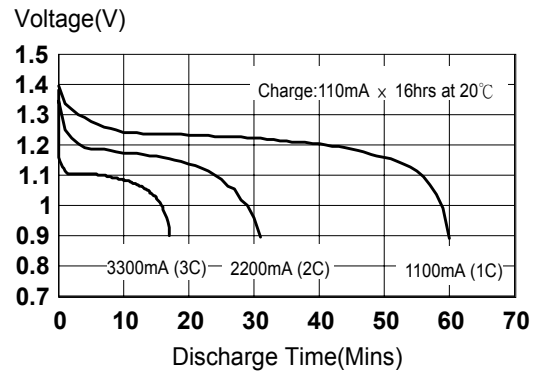
Type	: Rechargeable Nickel Metal Hydride Cylindrical Cell
Nominal Dimension (with Sleeve)	: $\Phi=17.0\text{mm}$ H=28.5mm
Applications	: Recommended discharge current 110 to 3300mA
Nominal Voltage	: 1.2V
Nominal Capacity	: Minimum: 1100mAh Typical: 1133mAh When discharge at 220mA to 1.0V at 20°C
Charging condition	: 110mA for 16hrs at 20°C
Fast Charge	: 550mA to 1100mA(0.5C to 1C) with charge termination control Recommended control parameters: - $\Delta V$ : 0-5mV Timer : 105% nominal input
Service Life	: >500 cycles (IEC61951-2)
Continuous Overcharge	: 110mA maximum current for 1 year No conspicuous deformation and/or leakage
Weight	: 21.0g
Internal Resistance	: Average 22m $\Omega$ upon fully charged (Range 17-27m $\Omega$ ) at 1000Hz
Max. charging Voltage	: 1.5V at 110mA charging
Ambient Temperature Range	: Standard charging : 0 to 45°C Fast Charging : 10 to 45°C Discharging : -20 to 50°C Storage : -20 to 35°C Storage (1week) : -20 to 60°C



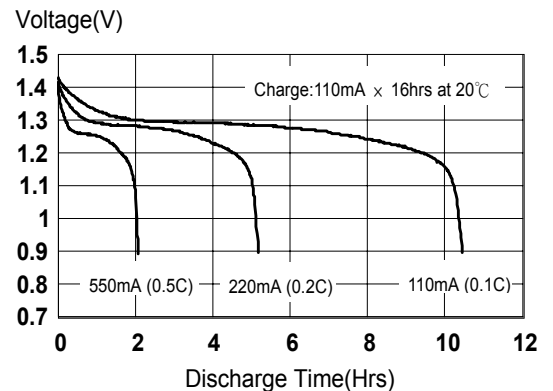
### Fast Charge (charge control required)



### Low Rate Discharge



### High Rate Discharge



\* The information (subject to change without prior notice) contained in this document is for reference only and should not be used as a basis for product guarantee or warranty. For applications other than those described here, please consult your nearest GP Sales and Marketing Office or Distributors.

## X-ON Electronics

Largest Supplier of Electrical and Electronic Components

*Click to view similar products for [Battery Packs](#) category:*

*Click to view products by [GP Batteries](#) manufacturer:*

Other Similar products are found below :

[2280309-1](#) [R101-B](#) [4114 210 501](#) [4120 210 501](#) [4600 726 406](#) [4610 726 406](#) [312G-U1](#) [55615703012](#) [3LR12](#) [4103 210 392](#) [4103 210 394](#)  
[4106 210 392](#) [4106 210 394](#) [4223 210 501](#) [4606 726 406](#) [4607 726 406](#) [ZA13](#) [LR03/AAA/MN2400\(K4\)](#) [LR03 MAXELL S4](#) [LR1130](#)  
[MAXELL B10](#) [LR14-MN1400-C K2](#) [LR1/910A](#) [LR41 MAXELL B10](#) [LR43](#) [LR43 MAXELL B10](#) [LR6 MAXELL S4](#) [11012](#) [E23A](#) [E90](#)  
[625302](#) [625304](#) [637871](#) [638006](#) [6LF22/9V/MN1604\(K1\)C&B](#) [6LF22/9V/MN1604 PLUS](#) [6LR61](#) [SR626SW MAXELL](#) [SR920SW](#)  
[MAXELL](#) [7K67 J](#) [55615303059](#) [GP14A S2](#) [GP15E](#) [GP1604GLF-2UE1](#) [GP 1604 ULTRA PLUS](#) [23733](#) [10 ET](#) [675 ET](#) [11A B5](#) [A544](#) [A76-](#)  
[U10](#)