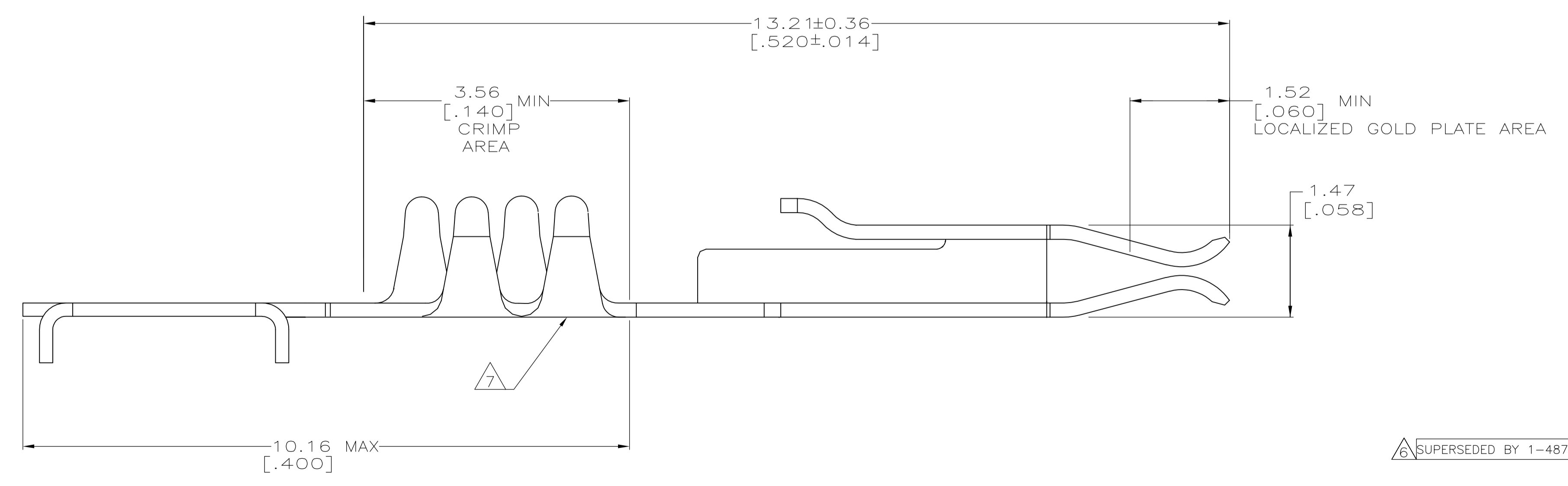
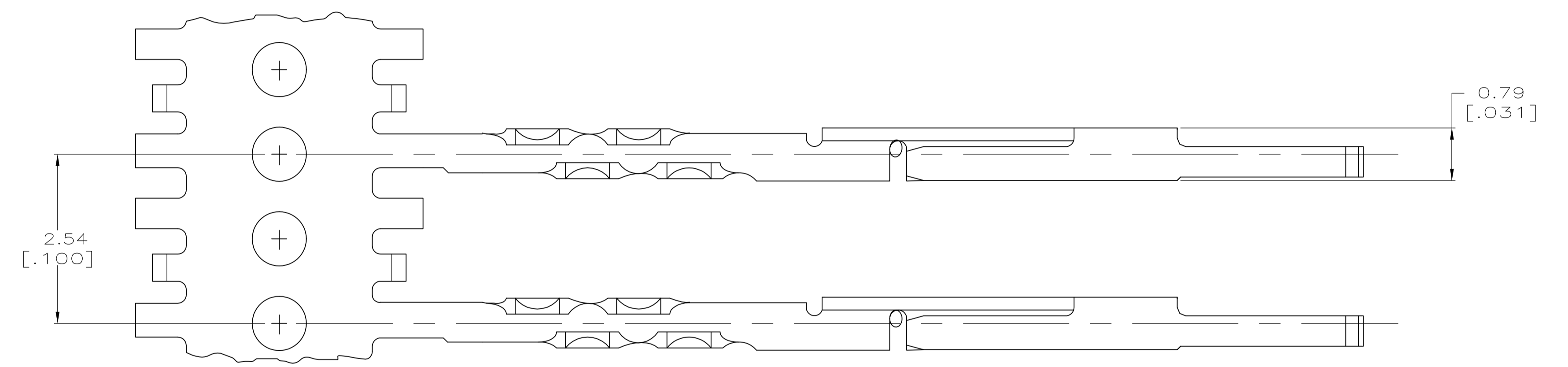
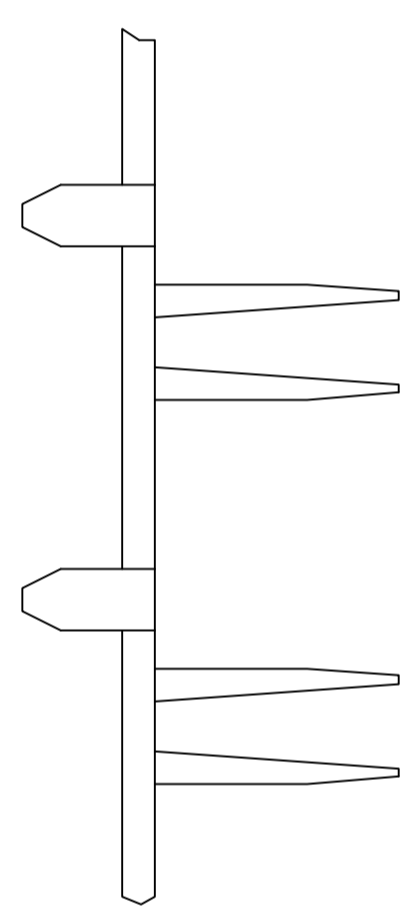


LOC		DIST		REVISIONS			
GP	00	REV	DATE	BY	CHK	APPV	
R	REVISED PER ECO-11-006941		28JUL2011	CJV	CWR		

- ⚠ 0.76μm[.000030] MIN GOLD ON LOCALIZED GOLD PLATE AREA, 2.54μm[.000100] MIN TIN-LEAD ON CRIMP AREA, BOTH OVER 1.27μm[.000050] MIN NICKEL ON ENTIRE CONTACT,  
-OR-  
GOLD FLASH OVER PALLADIUM-NICKEL, 0.76μm[.000030] MIN TOTAL THK ON LOCALIZED GOLD PLATE AREA, 2.54μm[.000100] MIN TIN-LEAD ON CRIMP AREA, BOTH OVER 1.27μm[.000050] MIN THK NICKEL UNDERPLATE ON ENTIRE CONTACT.
- ⚠ 0.38μm[.000015] MIN GOLD ON LOCALIZED GOLD PLATE AREA, 2.54μm[.000100] MIN TIN-LEAD ON CRIMP AREA, BOTH OVER 1.27μm[.000050] MIN NICKEL ON ENTIRE CONTACT,  
-OR-  
GOLD FLASH OVER PALLADIUM-NICKEL, 0.38μm[.000015] MIN TOTAL THK ON LOCALIZED GOLD PLATE AREA, 2.54μm[.000100] MIN TIN-LEAD ON CRIMP AREA, BOTH OVER 1.27μm[.000050] MIN THK NICKEL UNDERPLATE ON ENTIRE CONTACT.
- 3. ACCEPTS 0.38±0.03[.015±.001] SQUARE POST, 3.18-8.89[.125-.350] LONG.
- ⚠ 0.76μm[.000030] MIN GOLD ON LOCALIZED GOLD PLATE AREA, GOLD FLASH IN CRIMP AREA, BOTH OVER 1.27μm[.000050] MIN NICKEL ON ENTIRE CONTACT,  
-OR-  
GOLD FLASH OVER PALLADIUM-NICKEL, 0.76μm[.000030] MIN TOTAL THK ON LOCALIZED GOLD PLATE AREA, GOLD FLASH IN CRIMP AREA, BOTH OVER 1.27μm[.000050] MIN THK NICKEL UNDERPLATE ON ENTIRE CONTACT.
- ⚠ 0.38μm[.000015] MIN GOLD ON LOCALIZED GOLD PLATE AREA, GOLD FLASH IN CRIMP AREA, BOTH OVER 1.27μm[.000050] MIN NICKEL ON ENTIRE CONTACT,  
-OR-  
GOLD FLASH OVER PALLADIUM-NICKEL, 0.38μm[.000015] MIN TOTAL THK ON LOCALIZED GOLD PLATE AREA, GOLD FLASH IN CRIMP AREA, BOTH OVER 1.27μm[.000050] MIN THK NICKEL UNDERPLATE ON ENTIRE CONTACT.
- ⚠ OBSOLETE PARTS: OBSOLETE CIS STREAMLINING PER D.RENAUD/D.SINISI
- ⚠ GOLD PLATING MAY OR MAY NOT BE PRESENT ON BOTTOM OF THE CRIMP BARREL.



7	5	1-487547-2
7	4	1-487547-1
2	4	487547-9
1	1	487547-1
FINISH		PART NUMBER

⚠ SUPERSEDED BY 1-487547-2

THIS DRAWING IS A CONTROLLED DOCUMENT.		DIN L.SIPE 05/05/92	TE Connectivity	
DIMENSIONS: mm [INCHES]		CHK R.STONE 5-13-92	CONTACT, RECEPTACLE, .050 C/L, FFC	
TOLERANCES UNLESS OTHERWISE SPECIFIED:		APVD	PRODUCT SPEC 108-16022	
0. PLC ± -		NAME	APPLICATION SPEC 114-16008	
1. PLC ± -		SIZE	CAGE CODE	DRAWING NO
2. PLC ± 0.13 [.005]		114-16008	A1	00779
3. PLC ± 0.013 [.0005]		WEIGHT	C=487547	
4. PLC ANGLES ± -		CUSTOMER DRAWING	SCALE 20:1	SHEET 1 OF 1
MATERIAL 0.216 [.0085] THICK PHOSPHOR BRONZE	FINISH SEE TABLE	RESTRICTED TO	REV R	

## X-ON Electronics

Largest Supplier of Electrical and Electronic Components

*Click to view similar products for [FFC & FPC Connectors](#) category:*

*Click to view products by [TE Connectivity](#) manufacturer:*

Other Similar products are found below :

[HFW11R-1STE1H1LF](#) [FH29B-100S-0.2SHW\(99\)](#) [FA5S008HP1](#) [FH29B-120S-0.2SHW\(99\)](#) [FH29B-80S-0.2SHW\(99\)](#) [FHS-16](#) [FPH-2022G](#)  
[52610-1075](#) [52610-1275](#) [52610-1934](#) [XF3M\(1\)-1415-1B-R100](#) [501864-3091-TR225](#) [0525594033](#) [086210010340800](#) [086222026001800](#)  
[52271-2869-CUT-TAPE](#) [62674-201121DLF](#) [62684-36210E9ALF](#) [52610-1675](#) [52746-1671-TR250](#) [10051922-2810EHLF](#) [6-520415-9](#)  
[BD021-09A-A1-0350-0200-0550-LD](#) [SFV6R-1STE9HLF](#) [XF3M-2915-1B-R100](#) [1658549-1](#) [62674-221121ALF](#) [46214008010800](#)  
[046298003000883](#) [151660622](#) [842-816-2630-035](#) [AYF530665TA](#) [AYF351525](#) [046296011930846+](#) [AYF352325A](#) [046254020000800+](#)  
[FH19C-13S-0.5SH\(99\)](#) [FH39J-51S-0.3SHW\(99\)](#) [AYF355125A](#) [AYF530365TA](#) [FH29B-44S-0.2SHW\(99\)](#) [SFW5R-2STAE9LF](#) [AYF351125A](#)  
[AYF350725A](#) [62684-502100AHLF](#) [FH39-61S-0.3SHW\(99\)](#) [AYF414035A](#) [10064555-172520HLF](#) [AYF212335A](#) [504754-2500](#)