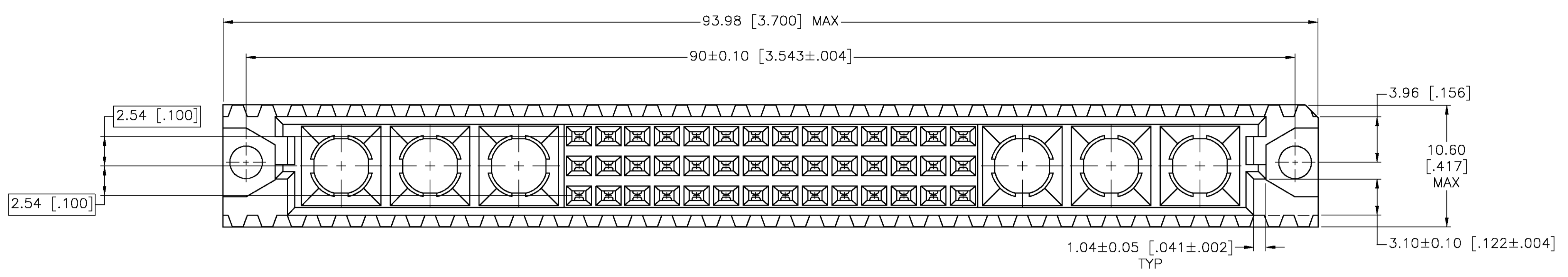
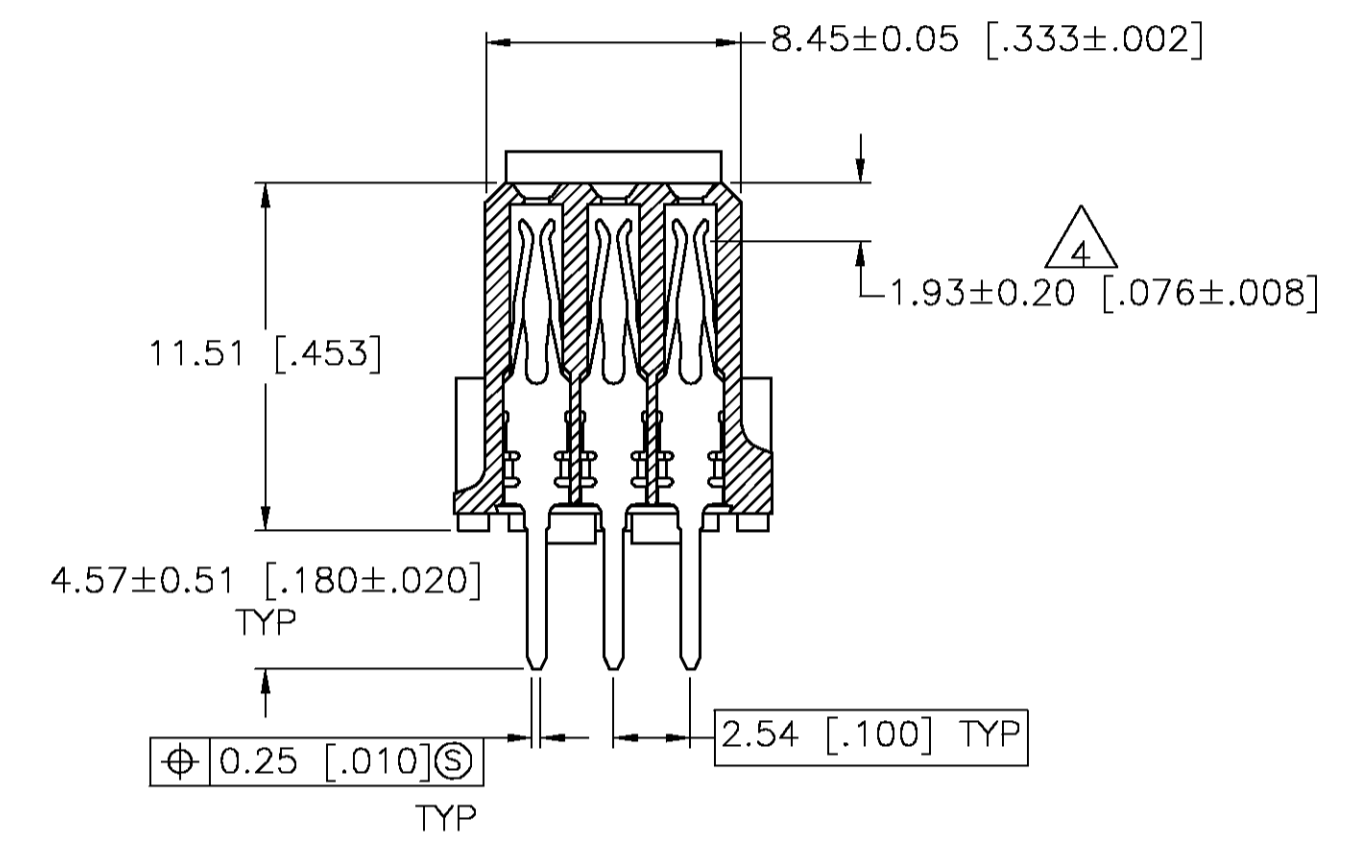
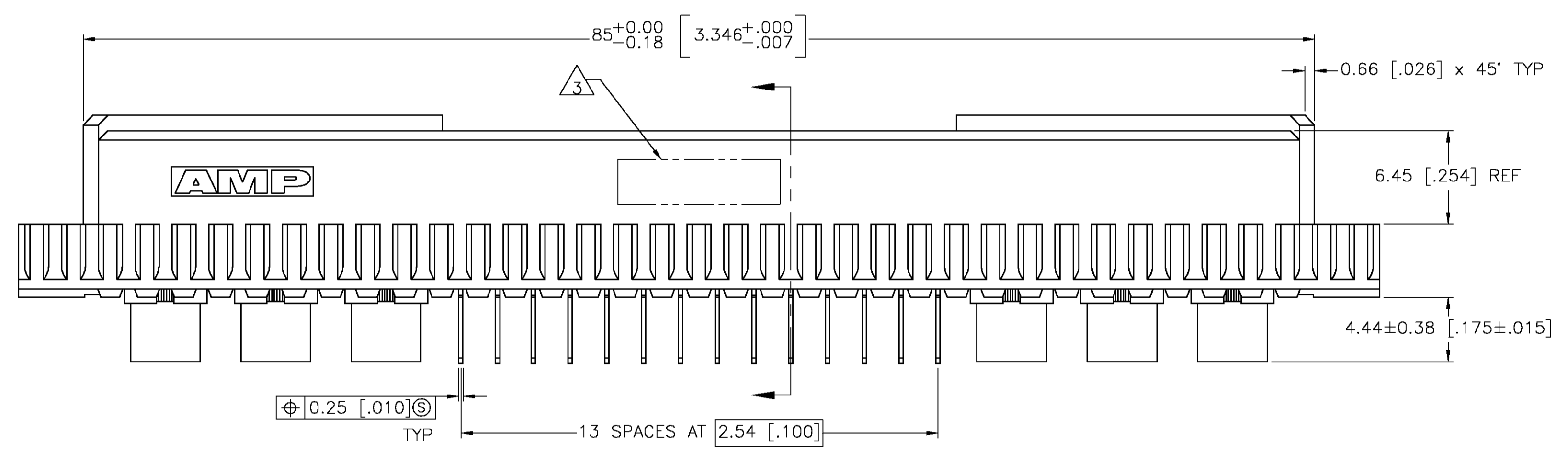


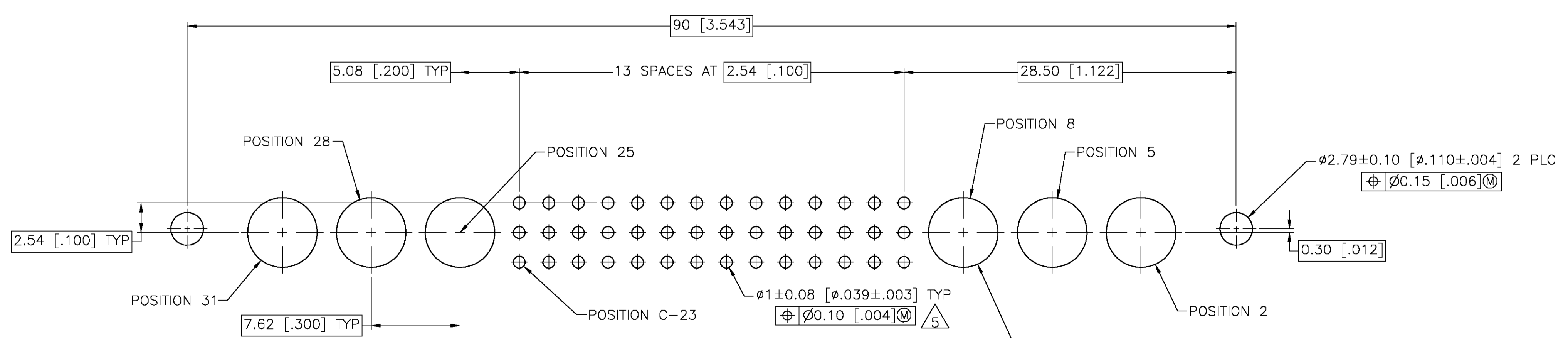
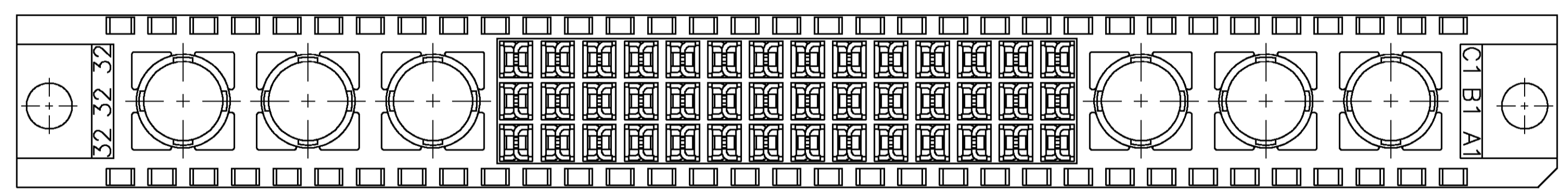
LOC		DIST		REVISIONS			
P	LR	DESCRIPTION	DATE	DN	APD		
O	REV PER EC	OS12-0251-04	17MAY04	NK	AS		



- 1 HOUSING: GLASS-FILLED POLYESTER, GRAY.
SIGNAL CONTACT: PHOSPHOR BRONZE.
POWER CONTACT: COPPER ALLOY.
- 2 SIGNAL CONTACT: DIN 41612 CLASS 1 IN CONTACT AREA.
TIN-LEAD ON TAILS.
POWER CONTACT: DIN 41612 CLASS 1 IN CONTACT AREA.
- 3 PART NUMBER, DATE CODE IDENTIFICATION, CSA LOGO HOT STAMPED THIS APPROXIMATE AREA. OPPOSITE SIDE SHOWN.
- 4 CONTACT POINT, SIGNAL CONTACT.
- 5 RECOMMENDED HOLE SIZE FOR MANUAL APPLICATION OF CONNECTOR ONTO PC BOARD.



POWER CONTACT REMOVED FOR CLARITY



PC BOARD LAYOUT

148686-1
PART NUMBER

THIS DRAWING IS A CONTROLLED DOCUMENT.		DIN	B CARBO	23FEB04		Tyco Electronics Corporation Harrisburg, Pa 17105-3608			
DIMENSIONS: mm [INCHES]		CHK	A SHARPE	23FEB04		NAME	RECEPTACLE ASSEMBLY, EUROCARD, TYPE M, 42 + 6		
TOLERANCES UNLESS OTHERWISE SPECIFIED:		APD	A SHARPE	23FEB04	PRODUCT SPEC	SIZE	CAGE CODE	DRAWING NO	RESTRICTED TO
0 PLC	± -	APPLICATION SPEC		WEIGHT	—	A1	00779	148686	—
1 PLC	± -	MATERIAL		CUSTOMER DRAWING	SCALE	4:1	SHEET	1 OF 1	REV
2 PLC	± -	FINISH							
3 PLC	± 0.13[.005]								
4 PLC	± -								
ANGLES	± -								

X-ON Electronics

Largest Supplier of Electrical and Electronic Components

Click to view similar products for [DIN 41612 Connectors](#) category:

Click to view products by [TE Connectivity](#) manufacturer:

Other Similar products are found below :

[09231126901](#) [PCN10F-24P-2.54DS\(72\)](#) [004.767](#) [02221602702](#) [024069](#) [602427301412000](#) [013275](#) [691327-1](#) [74670-0732](#) [74680-0340](#)
[75880-0015](#) [76453-0014](#) [86093159ALF](#) [923454](#) [QLC260R](#) [120X10099X](#) [120X10019X](#) [120X10089X](#) [120X10129X](#) [121A10039X](#)
[121A10309X](#) [122A10019X](#) [122A10029X](#) [122A10249X](#) [122A10669X](#) [122A11089X](#) [122A13089X](#) [121B10409X](#) [122A10089X](#)
[122A10129X](#) [122A10349X](#) [122A13359X](#) [1377391-4](#) [DIN-048CPC-SR1-MH](#) [1393583-2](#) [1393726-7](#) [140X10059X](#) [140X10129X](#) [143-1913-](#)
[000](#) [143-1908-000](#) [1484472-1](#) [173052](#) [2110070-1](#) [2110070-2](#) [CBC20T00-008FDS5-0-1-002VR](#) [983-0SE12-12P6](#) [17041102202](#) [172699-](#)
[5036](#) [173051](#) [20](#) [8457096](#) [010](#) [025](#)