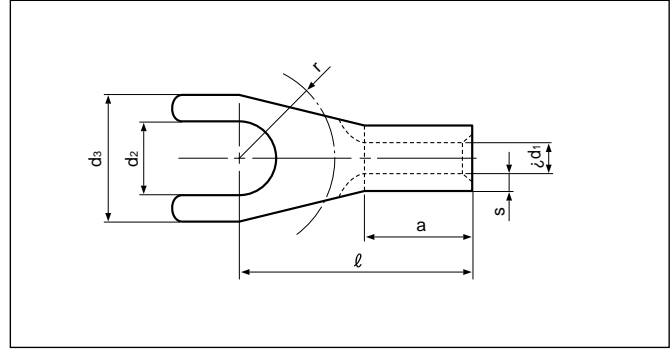




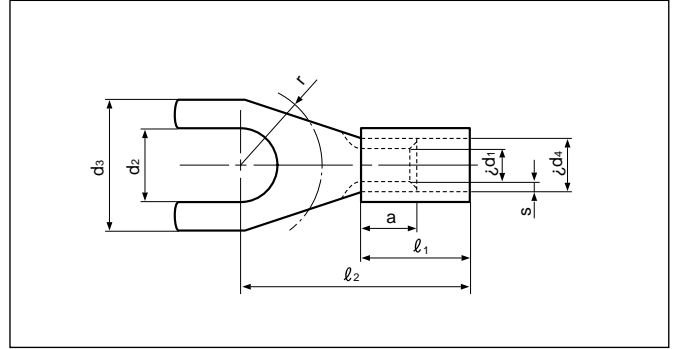
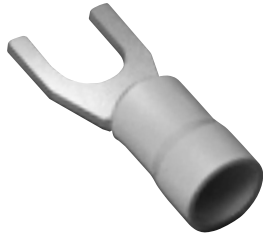
SPADE TONGUE TERMINAL *Non-insulated*



Applicable Wire mm ² (AWG#)	Stud Size Metric	Part No.	Nominal Size	Dimensions mm (in.)							Tool No.	Qty/box
				ød ₂	ød ₃	r	ℓ	a	ød ₁	s		
0.1 to 0.5 (26 to 22)	3	GS3-0.5C		3.2 (.126)	5.0 (.197)	5.0 (.197)	10.0 (.394)	4.0 (.157)	1.0 (.039)	0.5 (.020)	—	2,000
0.25 to 1.5 (22 to 16)	3	GS3-1C		3.2 (.126)	6.0 (.236)	4.5 (.177)	11.0 (.433)	5.0 (.197)	1.6 (.063)	0.8 (.031)	JCH-10	2,000
	3	GS3L-1C		3.2 (.126)	6.5 (.256)	3.5 (.138)	8.0 (.315)	4.0 (.157)				
	3.5	GS3.5-1C		3.7 (.146)	6.0 (.236)	4.5 (.177)	11.0 (.433)	5.0 (.197)				
	3.5	GS3.5L-1C		3.7 (.146)	6.5 (.256)	3.5 (.138)	8.0 (.315)	4.0 (.157)				
	4	GS4M-1C		4.3 (.169)	6.8 (.268)	5.5 (.217)	11.0 (.433)	5.0 (.197)				
	4	GS4-1C		4.3 (.169)	8.0 (.315)	6.0 (.236)	12.0 (.472)	5.0 (.197)				
	5	GS5-1C		5.3 (.209)	10.0 (.394)	6.5 (.256)	13.0 (.512)	5.0 (.197)				
	6	GS6-1C		6.5 (.256)	12.0 (.472)	10.0 (.394)	17.0 (.669)	5.0 (.197)				1,000
>2.5 to 6 (12 to 10)	3	GS3-2.5C		3.2 (.126)	6.0 (.236)	4.5 (.177)	11.0 (.433)	5.0 (.197)	2.3 (.091)	0.8 (.031)	JCH-10	2,000
	3.5	GS3.5L-2.5C		3.7 (.146)	6.8 (.268)	4.5 (.177)	11.0 (.433)					
	4	GS4S-2.5C		4.3 (.169)	6.8 (.268)	4.5 (.177)	11.0 (.433)					
	4	GS4-2.5C		4.3 (.169)	8.0 (.315)	6.0 (.236)	12.0 (.472)					
	5	GS5-2.5C		5.3 (.209)	10.0 (.394)	6.5 (.256)	14.0 (.551)					
	6	GS6-2.5C		6.5 (.256)	11.0 (.433)	7.5 (.295)	16.0 (.630)					
>2.5 to 6 (12 to 10)	4	GS4-6C		4.3 (.169)	8.0 (.315)	6.0 (.236)	14.0 (.551)	6.0 (.236)	3.6 (.142)	1.0 (.039)	JCH-10	1,000
	5	GS5-6C		5.3 (.209)	10.0 (.394)	6.5 (.256)	15.0 (.591)					
	6	GS6-6C		6.5 (.256)	11.0 (.433)	7.5 (.295)	16.0 (.630)					
	8	GS8-6C		8.4 (.331)	14.0 (.551)	10.0 (.394)	19.0 (.748)					
>6 to 10 (8)	4	GS4-10C		4.3 (.169)	10.0 (.394)	6.5 (.256)	16.0 (.630)	8.0 (.315)	4.5 (.177)	1.1 (.043)	JCS-350 YH-540	1,000
	5	GS5-10C		5.3 (.209)	10.0 (.394)	6.5 (.256)	16.0 (.630)					
	6	GS6-10C		6.5 (.256)	11.0 (.433)	7.5 (.295)	17.0 (.669)					

Note: 1) Contact J.S.T. Europe N.V., Belgium for the above tools.
 2) Delivery lead times may vary depending on the product. Contact JST for details.

SPADE TONGUE TERMINAL *Insulated*



Vinyl-insulated

Applicable Wire mm ² (AWG#)	Stud Size Metric	Part No.	Nominal Size	Dimensions mm (in.)										Color	Tool No.	Qty/box
				ød ₂	ød ₃	r	l ₁	l ₂	a	ø d ₁	ø d ₄	s				
0.25 to 1.5 (22 to 16)	3.5	FVGS3.5-1C		3.7 (.146)	6.0 (.236)	4.5 (.177)	10.0 (.394)	16.0 (.630)	5.0 (.197)	1.6 (.063)	3.4 (.134)	0.8 (.031)	Red	JCH-1112	1,000	
	4	FVGS4-1C		4.3 (.169)	8.0 (.315)	6.0 (.236)		17.0 (.669)								
	4	FVGS4M-1C		4.3 (.169)	6.8 (.268)	5.5 (.217)		16.0 (.630)								
	5	FVGS5-1C		5.3 (.209)	10.0 (.394)	6.5 (.256)		18.0 (.709)								
	6	FVGS6-1C		6.5 (.256)	12.0 (.472)	10.0 (.394)		22.0 (.866)								
	8	FVGS8-1C		8.4 (.331)	12.0 (.472)	10.0 (.394)	22.0 (.866)									
>1 to 2.6 (16 to 14)	3	FVGS3-2.5C		3.2 (.126)	6.0 (.236)	4.5 (.177)	11.0 (.433)	17.0 (.669)	5.0 (.197)	2.3 (.091)	4.3 (.169)	0.8 (.031)	Blue	JCH-1112 JCH-1213	1,000	
	3.5	FVGS3.5L-2.5C		3.7 (.146)	6.8 (.268)	4.5 (.177)		17.0 (.669)								
	4	FVGS4S-2.5C		4.3 (.169)	6.8 (.268)	4.5 (.177)		17.0 (.669)								
	4	FVGS4-2.5C		4.3 (.169)	8.0 (.315)	6.0 (.236)		18.0 (.709)								
	5	FVGS5-2.5C		5.3 (.209)	10.0 (.394)	6.5 (.256)		20.0 (.787)								
	6	FVGS6-2.5C		6.5 (.256)	11.0 (.433)	7.5 (.295)	22.0 (.866)									
>2.5 to 6 (12 to 10)	4	FVGS4-6C		4.3 (.169)	8.0 (.315)	6.0 (.236)	12.0 (.472)	20.0 (.787)	6.0 (.236)	3.6 (.142)	6.4 (.252)	1.0 (.039)	Yellow	JCH-1213	500	
	5	FVGS5-6C		5.3 (.209)	10.0 (.394)	6.5 (.256)		21.0 (.827)								
	6	FVGS6-6C		6.5 (.256)	11.0 (.433)	7.5 (.295)		22.0 (.866)								
	8	FVGS8-6C		8.4 (.331)	14.0 (.551)	10.0 (.394)		25.0 (.984)								

Note:1) Contact J.S.T. Europe N.V., Belgium for the above tools.
 2) Delivery lead times may vary depending on the product. Contact JST for details.

Nylon-insulated

Applicable Wire mm ² (AWG#)	Stud Size Metric	Part No.	Nominal Size	Dimensions mm (in.)										Color	Tool No.	Qty/box
				ød ₂	ød ₃	r	l ₁	l ₂	a	ø d ₁	ø d ₄	s				
0.1 to 0.5(26 to 22)	3	FNGS3-0.5C		3.2 (.126)	5.0 (.197)	5.0 (.197)	8.0(.315)	14.0 (.551)	4.0(.157)	1.0(.039)	2.2(.087)	0.5(.020)	Yellow	JCH-9	2,000	
0.25 to 1.5 (22 to 16)	3	FNGS3-1C		3.2 (.126)	6.0 (.236)	4.5 (.177)	10.0 (.394)	16.0 (.630)	5.0 (.197)	1.6 (.063)	3.4 (.134)	0.8 (.031)	Red	JCH-1112	1,000	
	3.5	FNGS3.5-1C		3.7 (.146)	6.0 (.236)	4.5 (.177)		16.0 (.630)								
	4	FNGS4-1C		4.3 (.169)	8.0 (.315)	6.0 (.236)		17.0 (.669)								
	4	FNGS4M-1C		4.3 (.169)	6.8 (.268)	5.5 (.217)		16.0 (.630)								
	5	FNGS5-1C		5.3 (.209)	10.0 (.394)	6.5 (.256)		18.0 (.709)								
	6	FNGS6-1C		6.5 (.256)	12.0 (.472)	10.0 (.394)	22.0 (.866)									
	8	FNGS8-1C		8.4 (.331)	12.0 (.472)	10.0 (.394)	22.0 (.866)									
>1 to 2.6 (16 to 14)	3	FNGS3-2.5C		3.2 (.126)	6.0 (.236)	4.5 (.177)	11.0 (.433)	17.0 (.669)	5.0 (.197)	2.3 (.091)	4.4 (.173)	0.8 (.031)	Blue	JCH-1112 JCH-1213	1,000	
	3.5	FNGS3.5L-2.5C		3.7 (.146)	6.8 (.268)	4.5 (.177)		17.0 (.669)								
	4	FNGS4S-2.5C		4.3 (.169)	6.8 (.268)	4.5 (.177)		17.0 (.669)								
	4	FNGS4-2.5C		4.3 (.169)	8.0 (.315)	6.0 (.236)		18.0 (.709)								
	5	FNGS5-2.5C		5.3 (.209)	10.0 (.394)	6.5 (.256)		20.0 (.787)								
	6	FNGS6-2.5C		6.5 (.256)	11.0 (.433)	7.5 (.295)	22.0 (.866)									
>2.5 to 6 (12 to 10)	4	FNGS4-6C		4.3 (.169)	8.0 (.315)	6.0 (.236)	12.0 (.472)	20.0 (.787)	6.0 (.236)	3.6 (.142)	6.4 (.252)	1.0 (.039)	Yellow	JCH-1213	500	
	5	FNGS5-6C		5.3 (.209)	10.0 (.394)	6.5 (.256)		21.0 (.827)								
	6	FNGS6-6C		6.5 (.256)	11.0 (.433)	7.5 (.295)		22.0 (.866)								
	8	FNGS8-6C		8.4 (.331)	14.0 (.551)	10.0 (.394)		25.0 (.984)								

Note:1) Contact J.S.T. Europe N.V., Belgium for the above tools.
 2) Delivery lead times may vary depending on the product. Contact JST for details.

X-ON Electronics

Largest Supplier of Electrical and Electronic Components

Click to view similar products for [jst manufacturer](#):

Other Similar products are found below :

[GS3-0.5](#) [GS8-6](#) [B3B-ZR](#) [B4B-ZR](#) [B5B-XH-A](#) [B5B-ZR](#) [B6B-ZR-SM4-TF](#) [B7B-XH-A](#) [B8B-XH-A](#) [B8B-ZR](#) [BM02B-SRSS-TB](#) [BM06B-SRSS-TB](#) [BM10B-SRSS-TB](#) [FVGS5-6](#) [B2B-ZR-SM4-TF](#) [B34B-PHDSS-B\(LF\)\(SN\)](#) [B3B-ZR-SM4-TF](#) [B5B-ZR-SM4-TF](#) [B6B-XH-A](#) [B7B-ZR-SM4-TF](#) [B8B-ZR-SM4-TF](#) [B8PS-VH](#) [BM04B-SRSS-TB](#) [BM05B-SRSS-TB](#) [IDH-KR-12](#) [10HR-4K](#) [WC-ZE2426](#) [WC-691](#) [FVDDF5.5-375A \(LF\)](#) [FVGS12-6 \(LF\)](#) [FVWS2-S3.3 \(LF\)](#) [FVWS5.5-5 \(LF\)](#) [B6PS-VH\(LF\)\(SN\)](#) [FNGS12-6](#) [TWE0.5-8](#) [FVGS4-1 \(LF\)](#) [WC-GVH2630](#) [WC-PUD2](#) [S10B-PH-SM4-TB\(LF\)\(SN\)](#) [B2B-EH-A-TW \(LF\)\(SN\)](#) [B4B-EH-A-TW \(LF\)\(SN\)](#) [B4B-XH-TW \(LF\)\(SN\)](#) [B9B-XH-A](#) [BM02B-GHS-TBT](#) [BM03B-GHS-TBT](#) [BM04B-GHS-TBT](#) [BM06B-GHS-TBT](#) [BM08B-GHS-TBT](#) [BM10B-GHS-TBT](#) [SM10B-GHS-TB](#)