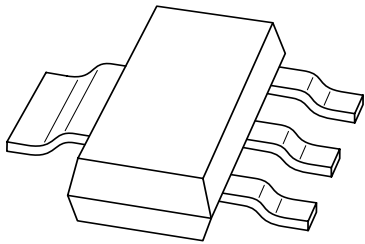


# DATA SHEET



## **BZV90 series** Voltage regulator diodes

Product data sheet  
Supersedes data of 1996 Oct 25

1999 May 17

# Voltage regulator diodes

# BZV90 series

## FEATURES

- Total power dissipation: max. 1500 mW
- Tolerance series: approx.  $\pm 5\%$
- Working voltage range: nom. 2.4 to 75 V (E24 range)
- Non-repetitive peak reverse power dissipation: max. 40 W.

## APPLICATIONS

- General regulation functions.

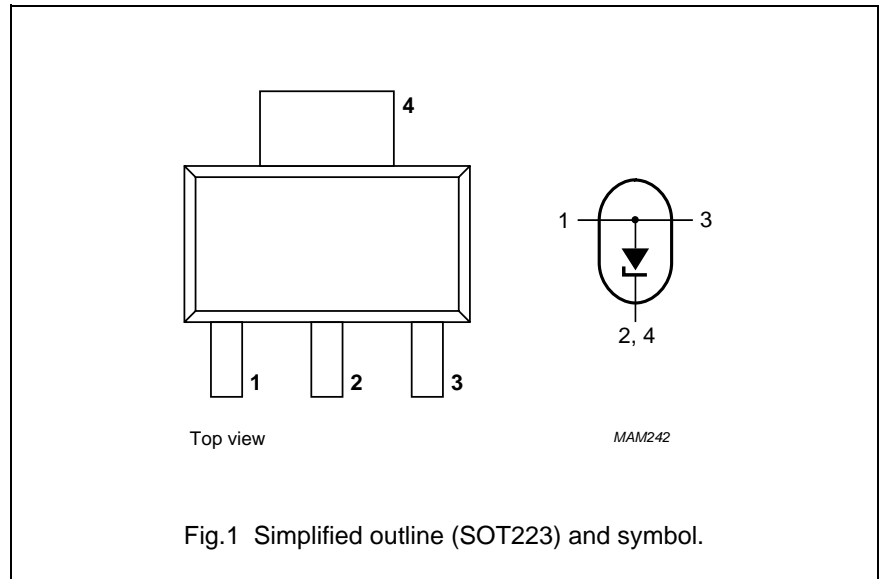
## DESCRIPTION

Medium-power voltage regulator diodes in SOT223 plastic SMD packages.

The diodes are available in the normalized E24 approx.  $\pm 5\%$  tolerance range. The series consists of 37 types with nominal working voltages from 2.4 to 75 V (BZV90-C2V4 to C75).

## PINNING

| PIN  | DESCRIPTION |
|------|-------------|
| 1    | anode       |
| 2, 4 | cathode     |
| 3    | anode       |



## LIMITING VALUES

In accordance with the Absolute Maximum Rating System (IEC 134).

| SYMBOL    | PARAMETER                                     | CONDITIONS  | MIN.                 | MAX. | UNIT             |
|-----------|---|---|----------------------|------|------------------|
| $I_F$     | continuous forward current                    |   | –                    | 400  | mA               |
| $I_{ZSM}$ | non-repetitive peak reverse current           | $t_p = 100 \mu s$ ; square wave;<br>$T_j = 25 \text{ }^\circ\text{C}$ prior to surge            | see Table "Per type" |      |                  |
| $P_{tot}$ | total power dissipation                       | $T_{amb} = 25 \text{ }^\circ\text{C}$ ; note 1  | –                    | 1500 | mW               |
| $P_{ZSM}$ | non-repetitive peak reverse power dissipation | $t_p = 100 \mu s$ ; square wave;<br>$T_j = 25 \text{ }^\circ\text{C}$ prior to surge; see Fig.2 | –                    | 40   | W                |
| $T_{stg}$ | storage temperature                           |   | –65                  | +150 | $^\circ\text{C}$ |
| $T_j$     | junction temperature                          |   | –                    | 150  | $^\circ\text{C}$ |

### Note

1. Device mounted on an FR4 double-sided copper-clad printed circuit-board; copper area = 2 cm<sup>2</sup>.

## ELECTRICAL CHARACTERISTICS

### Total series

$T_j = 25 \text{ }^\circ\text{C}$  unless otherwise specified.

| SYMBOL | PARAMETER       | CONDITIONS                        | MIN. | MAX. | UNIT |
|--------|-----------------|-----------------------------------|------|------|------|
| $V_F$  | forward voltage | $I_F = 50 \text{ mA}$ ; see Fig.3 | –    | 1.0  | V    |

**Per type** $T_j = 25\text{ }^\circ\text{C}$  unless otherwise specified.

| BZV90-<br>CXXX | WORKING<br>VOLTAGE<br>$V_Z$ (V)<br>at $I_{Ztest}$ |      | DIFFERENTIAL<br>RESISTANCE<br>$r_{dif}$ ( $\Omega$ )<br>at $I_{Ztest}$ |      | TEMP. COEFF.<br>$S_Z$ (mV/K)<br>at $I_{Ztest}$<br>see Figs 4 and 5 |      |      | TEST<br>CURRENT<br>$I_{Ztest}$ (mA) | DIODE CAP.<br>$C_d$ (pF)<br>at $f = 1\text{ MHz}$ ;<br>at $V_R = 0\text{ V}$ | REVERSE<br>CURRENT at<br>REVERSE<br>VOLTAGE |                         |              |
|----------------|---|------|--|------|--|------|------|-------------------------------------|--|---|-------------------------|--------------|
|                | MIN.  | MAX. | TYP.   | MAX. | MIN.   | TYP. | MAX. |                                     |  | MAX.  | $I_R$ ( $\mu\text{A}$ ) | $V_R$<br>(V) |
|                |   |      |  |      |  |      |      |                                     |  |   | MAX.                    |              |
| 2V4            | 2.2   | 2.6  | 70   | 100  | -3.5   | -1.6 | 0    | 5                                   | 450  | 50  | 1.0                     |              |
| 2V7            | 2.5   | 2.9  | 75   | 100  | -3.5   | -2.0 | 0    | 5                                   | 450  | 20  | 1.0                     |              |
| 3V0            | 2.8   | 3.2  | 80   | 95   | -3.5   | -2.1 | 0    | 5                                   | 450  | 10  | 1.0                     |              |
| 3V3            | 3.1   | 3.5  | 85   | 95   | -3.5   | -2.4 | 0    | 5                                   | 450  | 5   | 1.0                     |              |
| 3V6            | 3.4   | 3.8  | 85   | 90   | -3.5   | -2.4 | 0    | 5                                   | 450  | 5   | 1.0                     |              |
| 3V9            | 3.7   | 4.1  | 85   | 90   | -3.5   | -2.5 | 0    | 5                                   | 450  | 3   | 1.0                     |              |
| 4V3            | 4.0   | 4.6  | 80   | 90   | -3.5   | -2.5 | 0    | 5                                   | 450  | 3   | 1.0                     |              |
| 4V7            | 4.4   | 5.0  | 50   | 80   | -3.5   | -1.4 | 0.2  | 5                                   | 300  | 3   | 2.0                     |              |
| 5V1            | 4.8   | 5.4  | 40   | 60   | -2.7   | -0.8 | 1.2  | 5                                   | 300  | 2   | 2.0                     |              |
| 5V6            | 5.2   | 6.0  | 15   | 40   | -2.0   | 1.2  | 2.5  | 5                                   | 300  | 1   | 2.0                     |              |
| 6V2            | 5.8   | 6.6  | 6  | 10   | 0.4  | 2.3  | 3.7  | 5                                   | 200  | 3   | 4.0                     |              |
| 6V8            | 6.4   | 7.2  | 6  | 15   | 1.2  | 3.0  | 4.5  | 5                                   | 200  | 2   | 4.0                     |              |
| 7V5            | 7.0   | 7.9  | 6  | 15   | 2.5  | 4.0  | 5.3  | 5                                   | 150  | 1   | 5.0                     |              |
| 8V2            | 7.7   | 8.7  | 6  | 15   | 3.2  | 4.6  | 6.2  | 5                                   | 150  | 0.7   | 5.0                     |              |
| 9V1            | 8.5   | 9.6  | 6  | 15   | 3.8  | 5.5  | 7.0  | 5                                   | 150  | 0.5   | 6.0                     |              |
| 10             | 9.4   | 10.6 | 8  | 20   | 4.5  | 6.4  | 8.0  | 5                                   | 90   | 0.2   | 7.0                     |              |
| 11             | 10.4  | 11.6 | 10   | 20   | 5.4  | 7.4  | 9.0  | 5                                   | 85   | 0.1   | 8.0                     |              |
| 12             | 11.4  | 12.7 | 10   | 25   | 6.0  | 8.4  | 10.0 | 5                                   | 85   | 0.1   | 8.0                     |              |
| 13             | 12.4  | 14.1 | 10   | 30   | 7.0  | 9.4  | 11.0 | 5                                   | 80   | 0.1   | 8.0                     |              |
| 15             | 13.8  | 15.6 | 10   | 30   | 9.2  | 11.4 | 13.0 | 5                                   | 75   | 0.05  | 10.5                    |              |
| 16             | 15.3  | 17.1 | 10   | 40   | 10.4   | 12.4 | 14.0 | 5                                   | 75   | 0.05  | 11.2                    |              |
| 18             | 16.8  | 19.1 | 10   | 45   | 12.4   | 14.4 | 16.0 | 5                                   | 70   | 0.05  | 12.6                    |              |
| 20             | 18.8  | 21.2 | 15   | 55   | 14.4   | 16.4 | 18.0 | 5                                   | 60   | 0.05  | 14.0                    |              |

| BZV90-<br>CXXX | WORKING VOLTAGE<br>$V_Z$ (V)<br>at $I_{Ztest}$ |      | DIFFERENTIAL RESISTANCE<br>$r_{dif}$ ( $\Omega$ )<br>at $I_{Ztest}$ |      | TEMP. COEFF.<br>$S_Z$ (mV/K)<br>at $I_{Ztest}$<br>see Figs 4 and 5 |      |      | TEST CURRENT<br>$I_{Ztest}$ (mA) | DIODE CAP.<br>$C_d$ (pF)<br>at $f = 1$ MHz;<br>at $V_R = 0$ V | REVERSE CURRENT at REVERSE VOLTAGE |           |
|----------------|--|------|---|------|--|------|------|----------------------------------|---|------------------------------------|-----------|
|                | MIN.   | MAX. | TYP.  | MAX. | MIN.   | TYP. | MAX. |                                  |   | $I_R$ ( $\mu$ A)                   | $V_R$ (V) |
|                |  |      |   |      |  |      |      |                                  |   | MAX.                               | MAX.      |
| 22             | 20.8   | 23.3 | 20  | 55   | 16.4   | 18.4 | 20.0 | 5                                | 60  | 0.05                               | 15.4      |
| 24             | 22.8   | 25.6 | 25  | 70   | 18.4   | 20.4 | 22.0 | 5                                | 55  | 0.05                               | 16.8      |
| 27             | 25.0   | 28.9 | 25  | 80   | 21.4   | 23.4 | 25.3 | 2                                | 50  | 0.05                               | 18.9      |
| 30             | 28.0   | 32.0 | 30  | 80   | 24.4   | 26.6 | 29.4 | 2                                | 50  | 0.05                               | 21.0      |
| 33             | 31.0   | 35.0 | 35  | 80   | 27.4   | 29.7 | 33.4 | 2                                | 45  | 0.05                               | 23.1      |
| 36             | 34.0   | 38.0 | 35  | 90   | 30.4   | 33.0 | 37.4 | 2                                | 45  | 0.05                               | 25.2      |
| 39             | 37.0   | 41.0 | 40  | 130  | 33.4   | 36.4 | 41.2 | 2                                | 45  | 0.05                               | 27.3      |
| 43             | 40.0   | 46.0 | 45  | 150  | 37.6   | 41.2 | 46.6 | 2                                | 40  | 0.05                               | 30.1      |
| 47             | 44.0   | 50.0 | 50  | 170  | 42.0   | 46.1 | 51.8 | 2                                | 40  | 0.05                               | 32.9      |
| 51             | 48.0   | 54.0 | 60  | 180  | 46.6   | 51.0 | 57.2 | 2                                | 40  | 0.05                               | 35.7      |
| 56             | 52.0   | 60.0 | 70  | 200  | 52.2   | 57.0 | 63.8 | 2                                | 40  | 0.05                               | 39.2      |
| 62             | 58.0   | 66.0 | 80  | 215  | 58.8   | 64.4 | 71.6 | 2                                | 35  | 0.05                               | 43.4      |
| 68             | 64.0   | 72.0 | 90  | 240  | 65.6   | 71.7 | 79.8 | 2                                | 35  | 0.05                               | 47.6      |
| 75             | 70.0   | 79.0 | 95  | 255  | 73.4   | 80.2 | 88.6 | 2                                | 35  | 0.05                               | 52.5      |

Voltage regulator diodes

BZV90 series

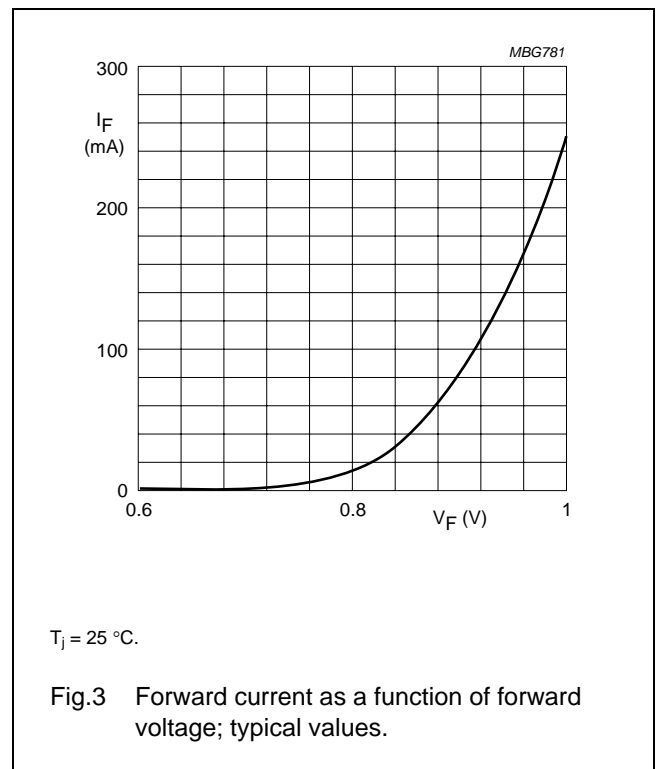
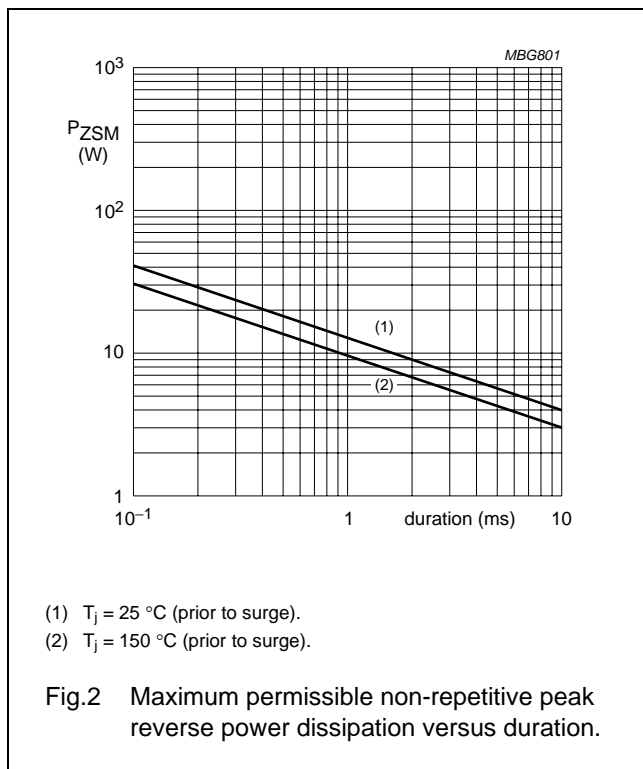
**THERMAL CHARACTERISTICS**

| SYMBOL        | PARAMETER                                   | CONDITIONS               | VALUE | UNIT |
|---------------|---|--------------------------|-------|------|
| $R_{th\ j-a}$ | thermal resistance from junction to ambient | lead length max.; note 1 | 83.3  | K/W  |

**Note**

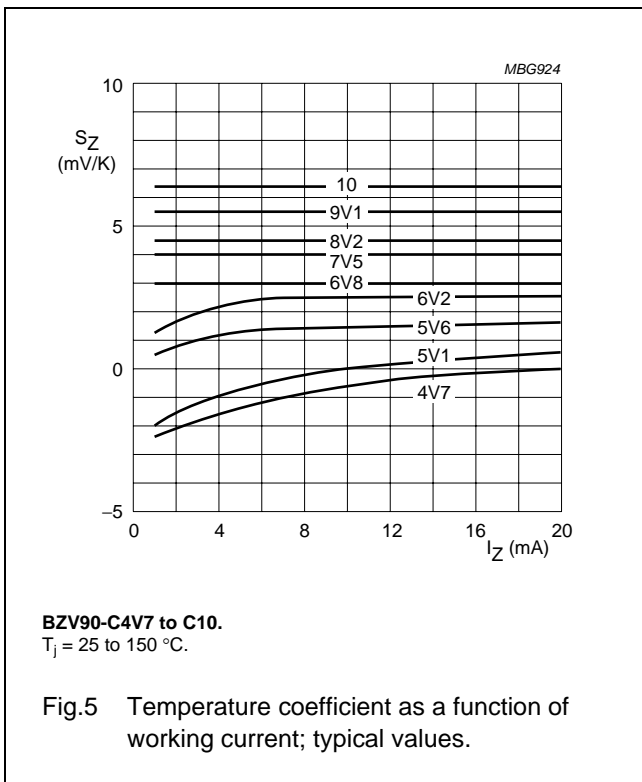
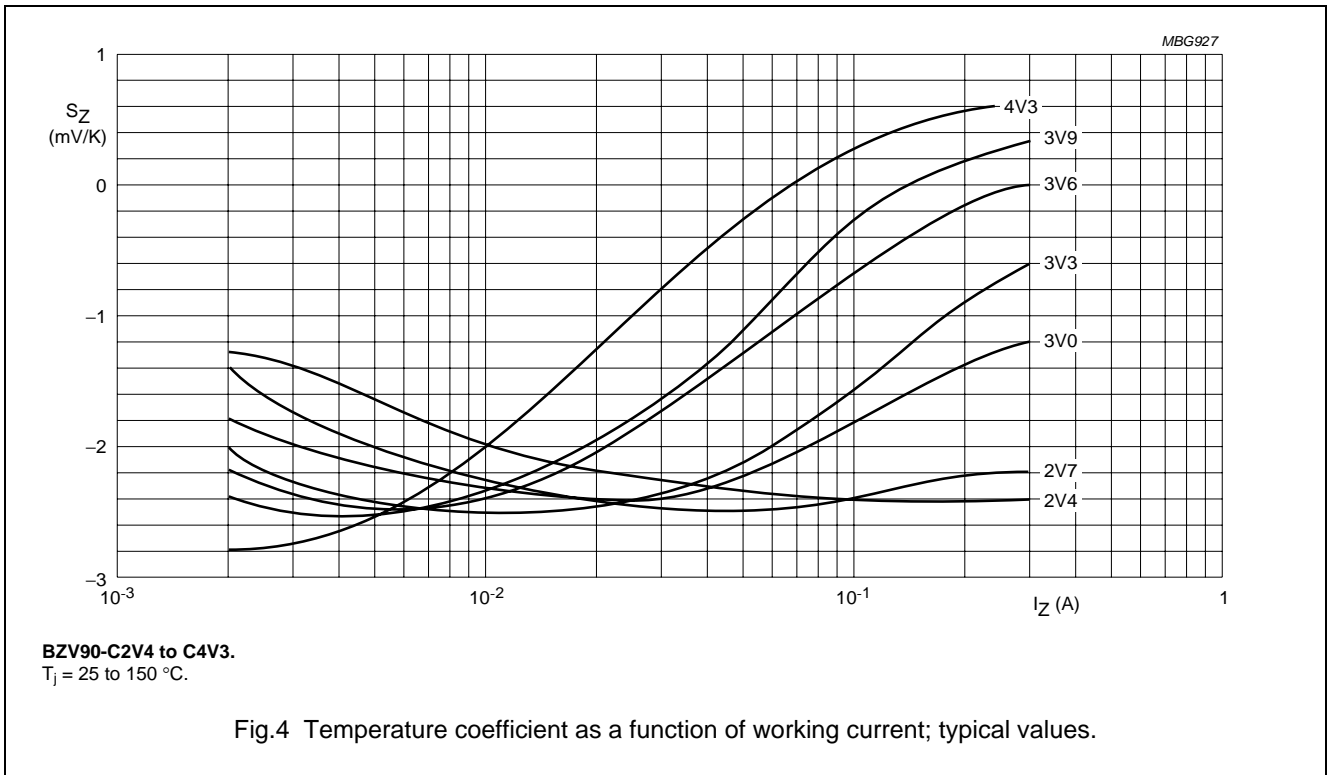
1. Device mounted on an FR4 double-sided copper-clad printed circuit-board; copper area = 2 cm<sup>2</sup>.

**GRAPHICAL DATA**



Voltage regulator diodes

BZV90 series



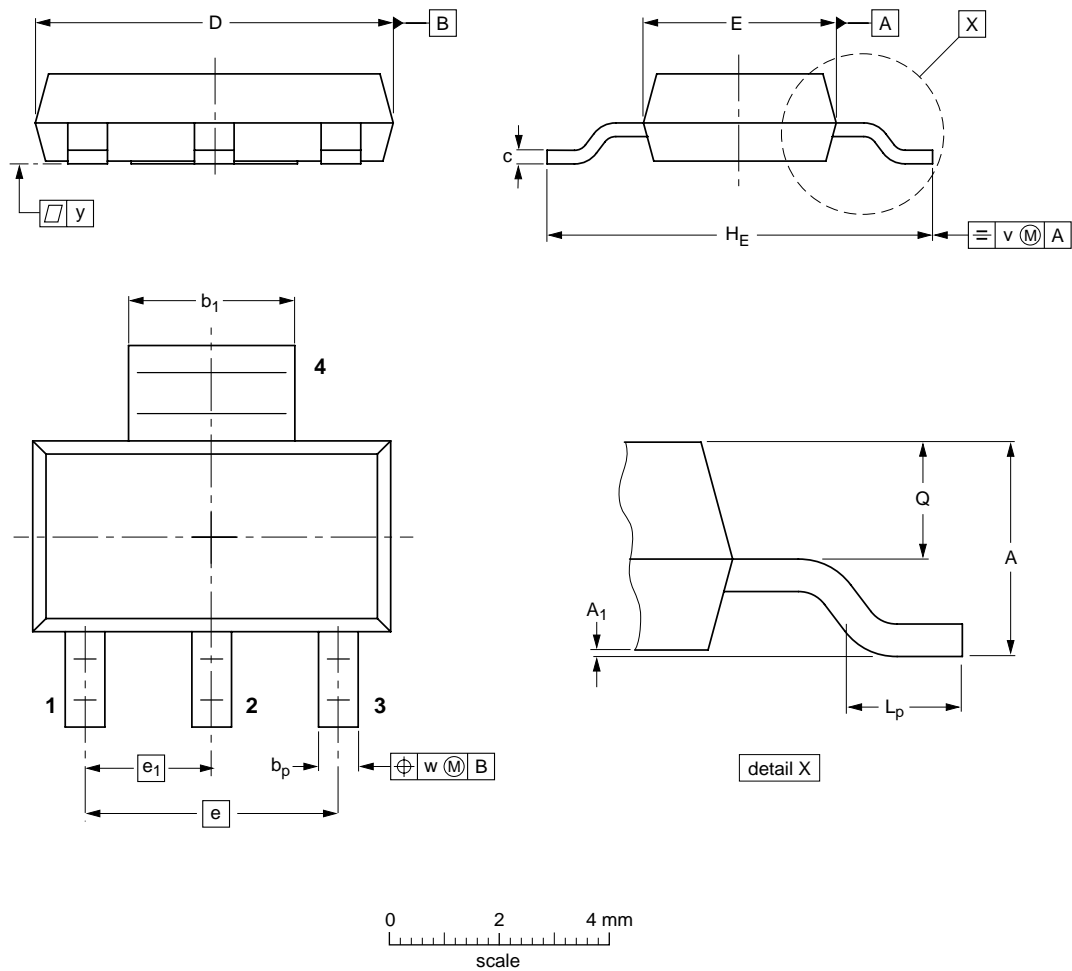
Voltage regulator diodes

BZV90 series

PACKAGE OUTLINE

Plastic surface mounted package; collector pad for good heat transfer; 4 leads

SOT223



DIMENSIONS (mm are the original dimensions)

| UNIT | A          | A <sub>1</sub> | b <sub>p</sub> | b <sub>1</sub> | c            | D          | E          | e   | e <sub>1</sub> | H <sub>E</sub> | L <sub>p</sub> | Q            | v   | w   | y   |
|------|------------|----------------|----------------|----------------|--------------|------------|------------|-----|----------------|----------------|----------------|--------------|-----|-----|-----|
| mm   | 1.8<br>1.5 | 0.10<br>0.01   | 0.80<br>0.60   | 3.1<br>2.9     | 0.32<br>0.22 | 6.7<br>6.3 | 3.7<br>3.3 | 4.6 | 2.3            | 7.3<br>6.7     | 1.1<br>0.7     | 0.95<br>0.85 | 0.2 | 0.1 | 0.1 |

| OUTLINE VERSION | REFERENCES |       |       |  | EUROPEAN PROJECTION | ISSUE DATE           |
|-----------------|------------|-------|-------|--|---------------------|----------------------|
|                 | IEC        | JEDEC | EIAJ  |  |                     |                      |
| SOT223          |            |       | SC-73 |  |                     | 97-02-28<br>99-09-13 |

## Voltage regulator diodes

## BZV90 series

## DATA SHEET STATUS

| DOCUMENT STATUS <sup>(1)</sup> | PRODUCT STATUS <sup>(2)</sup> | DEFINITION  |
|--------------------------------|-------------------------------|---|
| Objective data sheet           | Development                   | This document contains data from the objective specification for product development. |
| Preliminary data sheet         | Qualification                 | This document contains data from the preliminary specification.                       |
| Product data sheet             | Production                    | This document contains the product specification.                                     |

## Notes

1. Please consult the most recently issued document before initiating or completing a design.
2. The product status of device(s) described in this document may have changed since this document was published and may differ in case of multiple devices. The latest product status information is available on the Internet at URL <http://www.nxp.com>.

## DISCLAIMERS

**General** — Information in this document is believed to be accurate and reliable. However, NXP Semiconductors does not give any representations or warranties, expressed or implied, as to the accuracy or completeness of such information and shall have no liability for the consequences of use of such information.

**Right to make changes** — NXP Semiconductors reserves the right to make changes to information published in this document, including without limitation specifications and product descriptions, at any time and without notice. This document supersedes and replaces all information supplied prior to the publication hereof.

**Suitability for use** — NXP Semiconductors products are not designed, authorized or warranted to be suitable for use in medical, military, aircraft, space or life support equipment, nor in applications where failure or malfunction of an NXP Semiconductors product can reasonably be expected to result in personal injury, death or severe property or environmental damage. NXP Semiconductors accepts no liability for inclusion and/or use of NXP Semiconductors products in such equipment or applications and therefore such inclusion and/or use is at the customer's own risk.

**Applications** — Applications that are described herein for any of these products are for illustrative purposes only. NXP Semiconductors makes no representation or warranty that such applications will be suitable for the specified use without further testing or modification.

**Limiting values** — Stress above one or more limiting values (as defined in the Absolute Maximum Ratings System of IEC 60134) may cause permanent damage to the device. Limiting values are stress ratings only and operation of the device at these or any other conditions above those given in the Characteristics sections of this

document is not implied. Exposure to limiting values for extended periods may affect device reliability.

**Terms and conditions of sale** — NXP Semiconductors products are sold subject to the general terms and conditions of commercial sale, as published at <http://www.nxp.com/profile/terms>, including those pertaining to warranty, intellectual property rights infringement and limitation of liability, unless explicitly otherwise agreed to in writing by NXP Semiconductors. In case of any inconsistency or conflict between information in this document and such terms and conditions, the latter will prevail.

**No offer to sell or license** — Nothing in this document may be interpreted or construed as an offer to sell products that is open for acceptance or the grant, conveyance or implication of any license under any copyrights, patents or other industrial or intellectual property rights.

**Export control** — This document as well as the item(s) described herein may be subject to export control regulations. Export might require a prior authorization from national authorities.

**Quick reference data** — The Quick reference data is an extract of the product data given in the Limiting values and Characteristics sections of this document, and as such is not complete, exhaustive or legally binding.



# ***NXP Semiconductors***

## **Customer notification**

This data sheet was changed to reflect the new company name NXP Semiconductors, including new legal definitions and disclaimers. No changes were made to the technical content, except for package outline drawings which were updated to the latest version.

## **Contact information**

For additional information please visit: <http://www.nxp.com>

For sales offices addresses send e-mail to: [salesaddresses@nxp.com](mailto:salesaddresses@nxp.com)

© NXP B.V. 2009

All rights are reserved. Reproduction in whole or in part is prohibited without the prior written consent of the copyright owner.

The information presented in this document does not form part of any quotation or contract, is believed to be accurate and reliable and may be changed without notice. No liability will be accepted by the publisher for any consequence of its use. Publication thereof does not convey nor imply any license under patent- or other industrial or intellectual property rights.

Printed in The Netherlands

115002/00/03/pp9

Date of release: 1999 May 17

Document order number: 9397 750 05928



## X-ON Electronics

Largest Supplier of Electrical and Electronic Components

*Click to view similar products for [nxp](#) manufacturer:*

Other Similar products are found below :

[MC13211R2](#) [PCA9518PW,112](#) [LFSTBEB865X](#) [MC33399PEFR2](#) [PCA9551PW,112](#) [MC34825EPR2](#) [PCF8583P](#) [MC68340AB16E](#)  
[MC8640DTVJ1250HE](#) [EVBCRTOUCH](#) [MC9S08PT16AVLC](#) [MC9S08PT8AVTG](#) [MC9S08SH32CTL](#) [MCF54415CMJ250](#) [MCIMX6Q-SDB](#)  
[MCIMX6SX-SDB](#) [74ALVC125BQ,115](#) [74HC4050N](#) [74HC4514N](#) [MK21FN1M0AVLQ12](#) [MKV30F128VFM10](#) [FRDM-K66F](#) [FRDM-](#)  
[KW40Z](#) [FRDM-MC-LVBLDC](#) [PESD18VF1BSFYL](#) [PMF63UNEX](#) [PSMN4R0-60YS,115](#) [HEF4028BPN](#) [RAPPID-567XFSW](#)  
[MPC565MVR56](#) [MPC574XG-176DS](#) [MPC860PCVR66D4](#) [BT137-600E](#) [BT139X-600.127](#) [BUK7628-100A118](#) [BUK765R0-100E.118](#)  
[BZT52H-B9V1.115](#) [BZV85-C3V9.113](#) [BZX79-C47.113](#) [P5020NSE7VNB](#) [S12ZVML12EVBLIN](#) [SCC2692AC1N40](#) [LPC1785FBD208K](#)  
[LPC2124FBD64/01](#) [LS1020ASN7KQB](#) [LS1020AXN7HNB](#) [LS1020AXN7KQB](#) [LS1043ASE7PQA](#) [T1023RDB-PC](#) [FRDM-KW24D512](#)