

Amphenol
2009

Product Introduction

USB 3.0

USB 3.0

GSB3 Series

GSB311B31CEU



Reverse DIP Mid-Mount

GSB311A31CEU



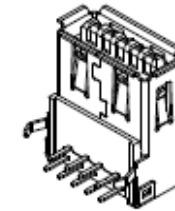
R/A DIP Mid-Mount

GSB316431CEU



Plug R/A SMT Mid-Mount

GSB311131HR



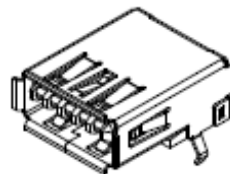
A Type R/A DIP

GSB311231HR



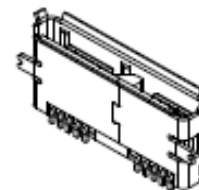
A Type Stack R/A DIP

GSB313131HRX



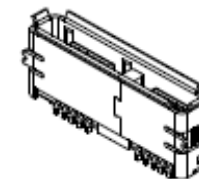
A Type R/A SMT

GSB343131HR



Micro B R/A SMT

GSB353131HR



Micro AB R/A SMT

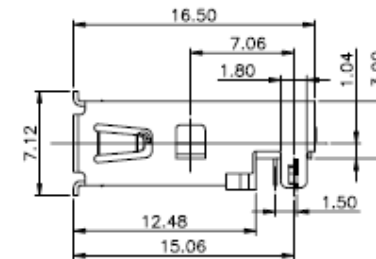
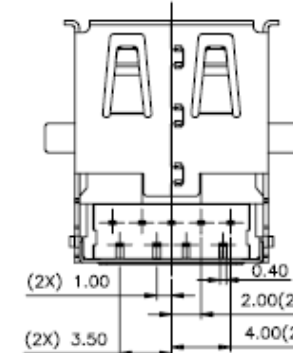
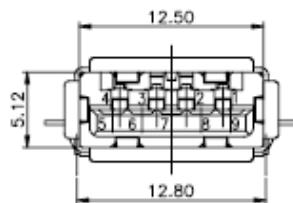
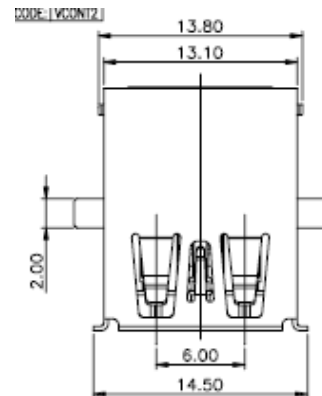
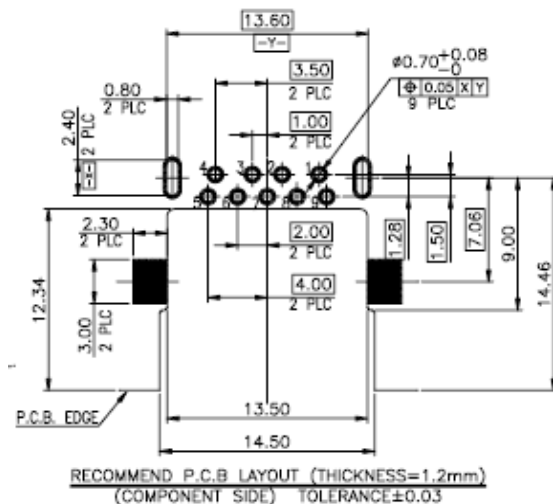
USB 3.0 Reverse DIP Mid-Mount

GSB3 Series

GSB311B31CEU



USB 3.0 Reverse DIP Mid-Mount



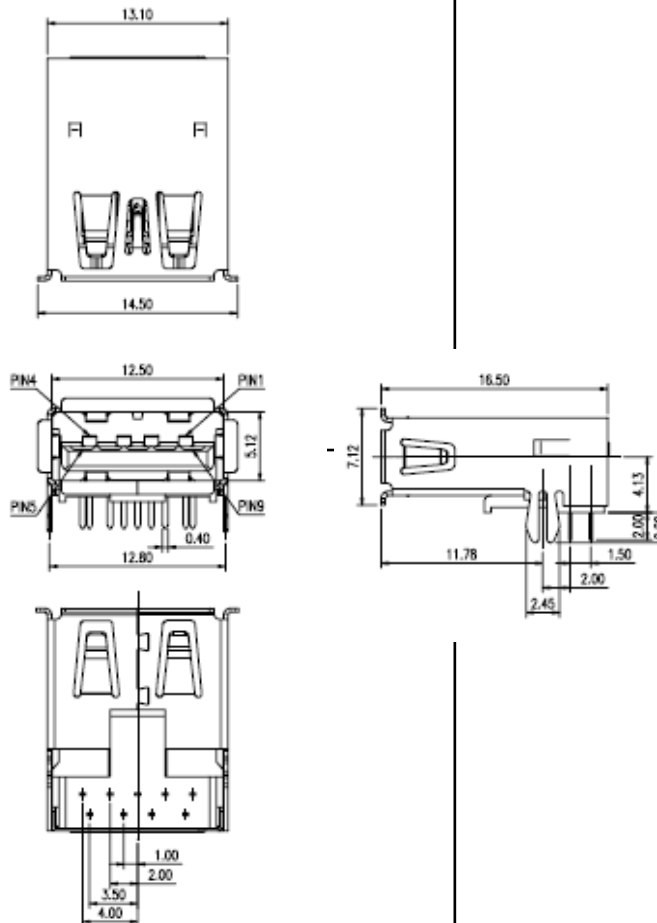
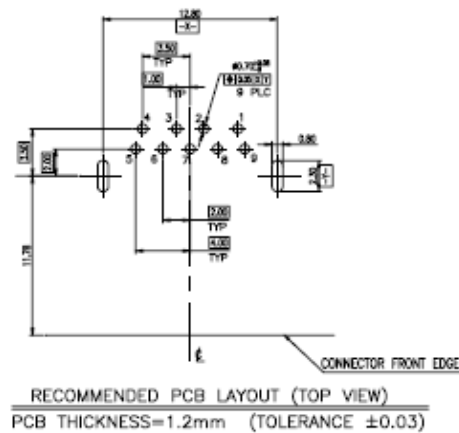
USB 3.0 R/A DIP Mid-Mount

GSB3 Series

GSB311A31CEU



USB 3.0 R/A DIP Mid-Mount

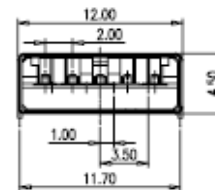
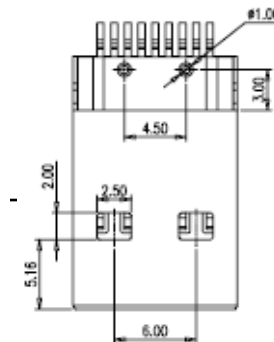
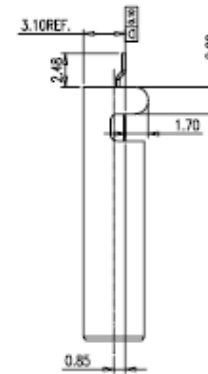
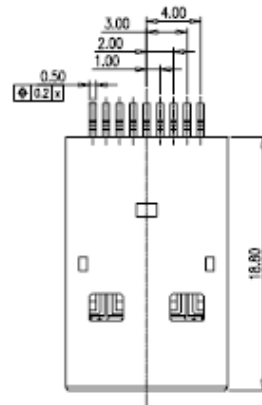
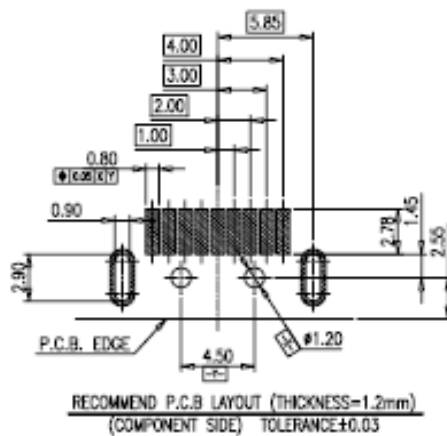


USB 3.0 Plug R/A SMT Mid-Mount GSB3 Series

GSB316431CEU



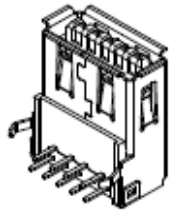
USB 3.0 Plug R/A SMT Mid-Mount



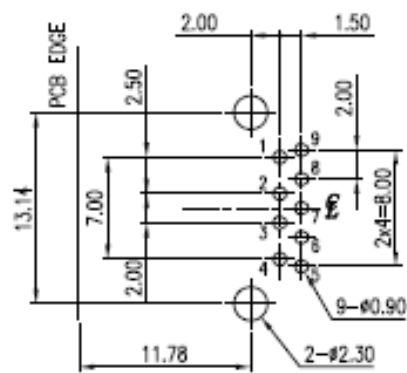
USB 3.0 A Type R/A DIP

GSB3 Series

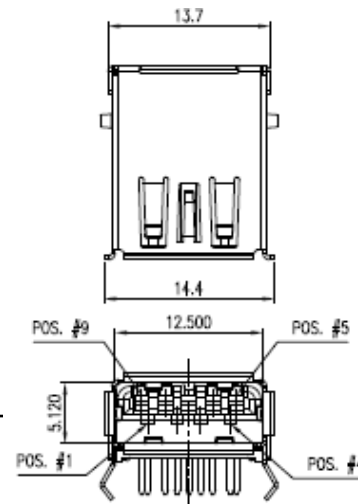
GSB311131HR



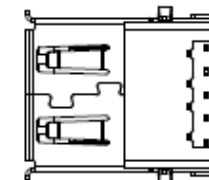
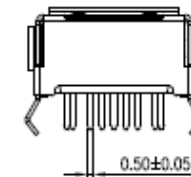
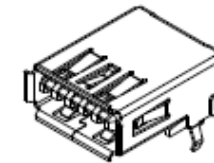
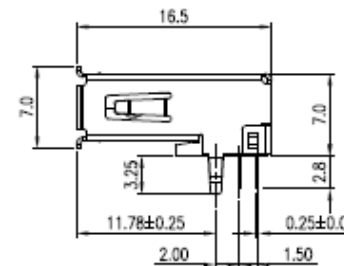
USB 3.0 A Type R/A DIP



RECOMMENDED PCB LAYOUT- TOP VIEW
(GENERAL TOLERANCE: ±0.05)



LCP, UL 94V-0, COLOR- BLUE (700C)
COVER: LCP, UL 94V-0, COLOR- BLUE (700C)
PHOSPHOR BRONZE, 0.25mm THICKNESS,
2-#2.30 4-#0.90 4-#0.90 4-#0.90

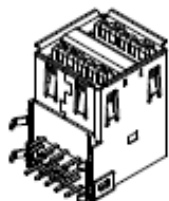


Part No. GSB311131HR REV. AX1

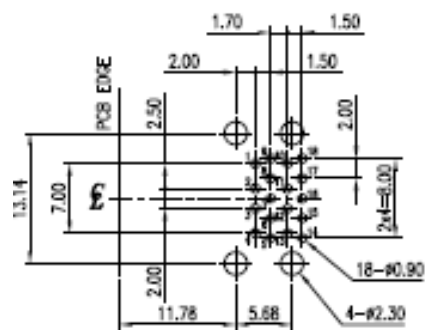
USB 3.0 A Type Stack R/A DIP

GSB3 Series

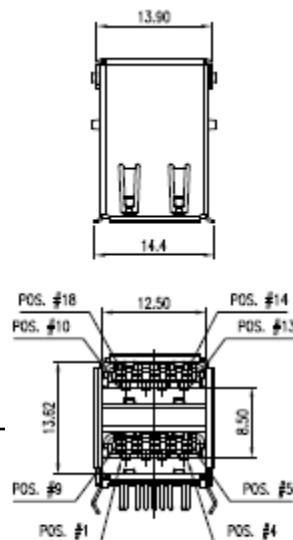
GSB311231HR



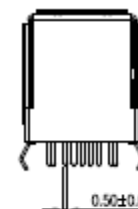
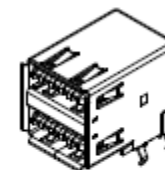
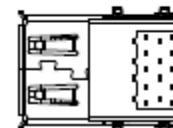
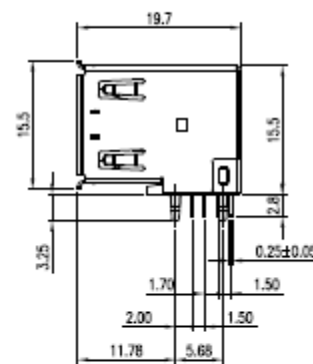
USB 3.0 A Type Stack R/A
DIP



RECOMMENDED PCB LAYOUT- TOP VIEW
(GENERAL TOLERANCE: ± 0.05)



COLOR- BLUE (700C)
#4V-0, COLOR- BLUE (700C)
#4ZE, 0.25mm THICKNESS,
PLATED ON CONTACT AREA,



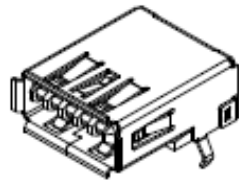
Part No.

GSB311231HR

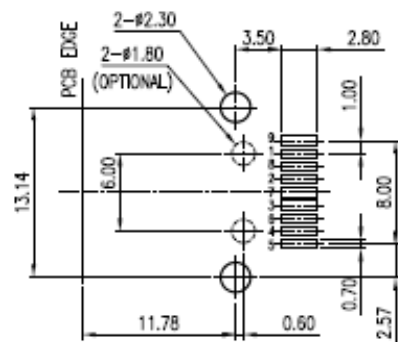
REV. AX1

USB 3.0 A Type R/A SMT GSB3 Series

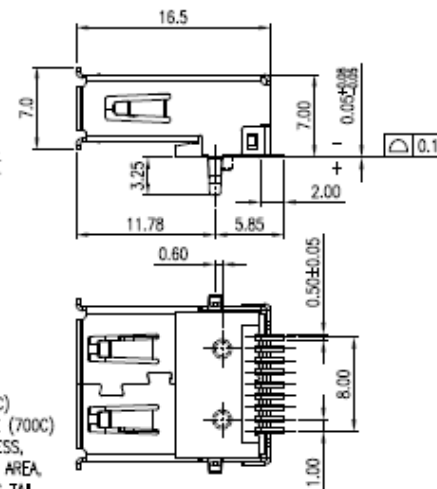
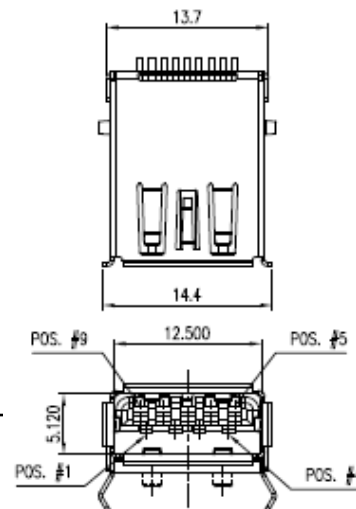
GSB313131HRX



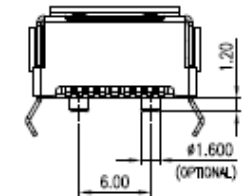
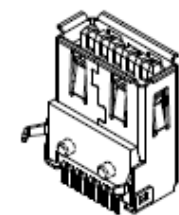
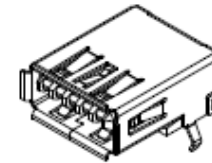
A Type R/A SMT



RECOMMENDED PCB LAYOUT- TOP VIEW
(GENERAL TOLERANCE: ±0.05)



- NOTES:
1. HOUSING: LCP, UL 94V-0, COLOR- BLUE (700C)
 2. BOTTOM COVER: LCP, UL 94V-0, COLOR- BLUE (700C)
 3. CONTACT: PHOSPHOR BRONZE, 0.25mm THICKNESS, 30μm MIN. GOLD PLATED ON CONTACT AREA, 100μm MIN. TH. PLATED ON SOLDERING TAB

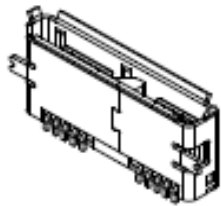


REV. NO. GSB311131HRX REV. AX1

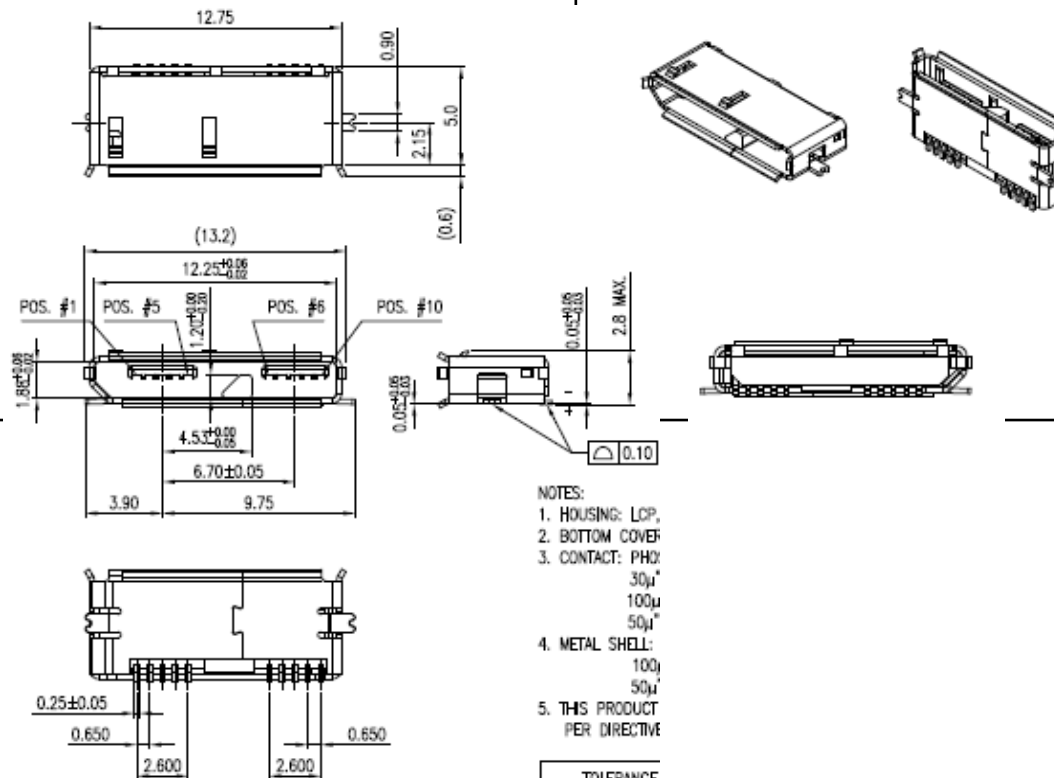
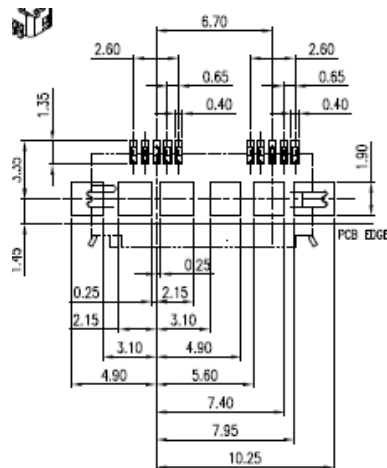
USB 3.0 Micro B R/A SMT

GSB3 Series

GSB343131HR



Micro B R/A SMT



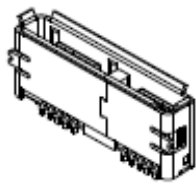
ENG No

GSB343131HR AX1

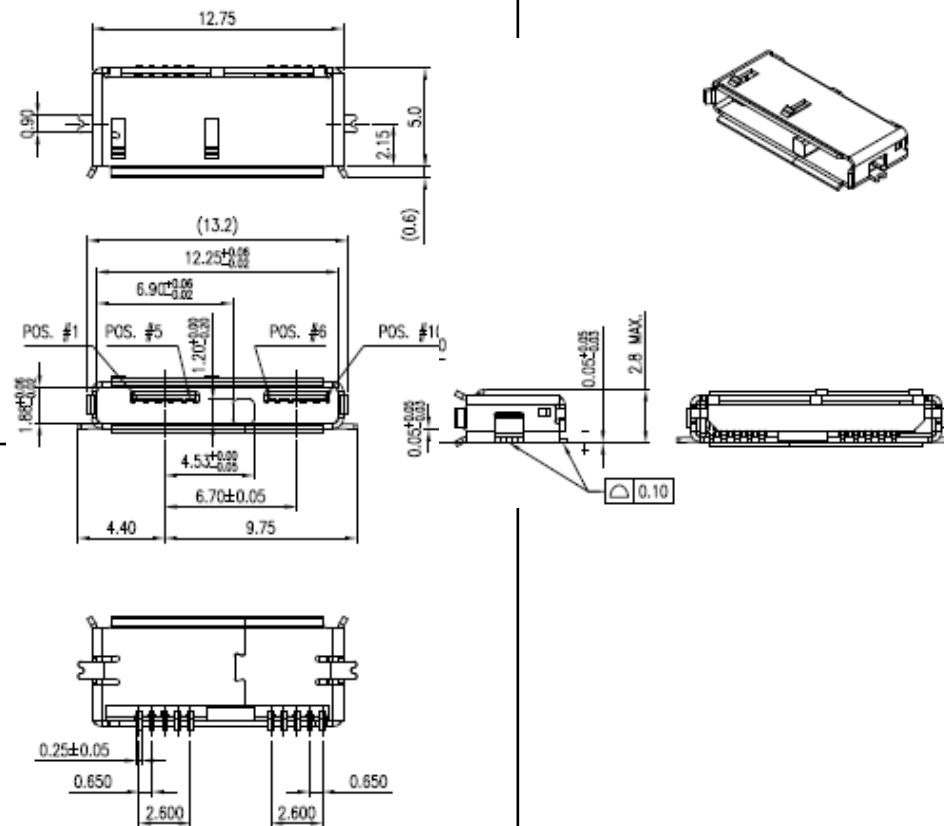
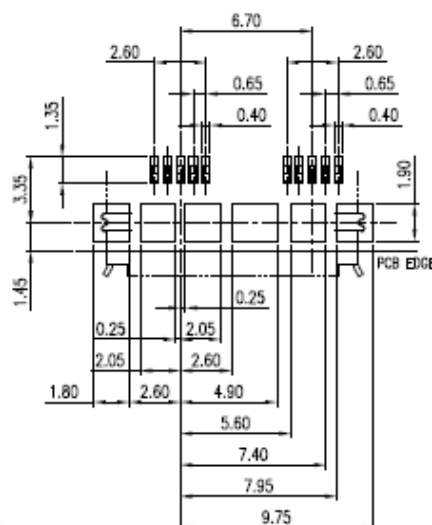
USB 3.0 Micro AB R/A SMT

GSB3 Series

GSB353131HR



Micro AB R/A SMT



GSB353131HR AX1

The End

X-ON Electronics

Largest Supplier of Electrical and Electronic Components

Click to view similar products for [USB Cables / IEEE 1394 Cables](#) category:

Click to view products by [Amphenol](#) manufacturer:

Other Similar products are found below :

[68768-0173](#) [FNY-W6003-01](#) [88764-0800](#) [13805532](#) [148700-1](#) [17-200621](#) [17-250051P](#) [954](#) [AC102012-2](#) [IP-USB1\(C10\)S-RW](#)
[CABLE/RTP/USB/DT](#) [0847290003](#) [10115240-12200LF](#) [RS232-GTD](#) [USBFTVX2SA2N03A](#) [USBFTV2SA2N03A](#) [1689404-1](#) [FTP-](#)
[629Y401](#) [FTP-628Y402](#) [943301-001](#) [FNY-W6022](#) [FNY-W6003-03](#) [1310-1015-05](#) [1310-1019-04](#) [0887283402](#) [UA-30AMFM-SL7B02](#) [UA-](#)
[30AMFM-SL7B01](#) [UA-30AFM-LD7B03](#) [UA-30AMFM-SL7B03](#) [USBAPSCC7202A](#) [UES-1001A160](#) [UES-1003A160](#)
[USBFTVX7SA2N20A](#) [USBFTVX2SA2N20A](#) [USBFTV2PEMSA2N10A](#) [FTP-629Y602](#) [USBCAMCM100](#) [USB A/F*2 to 2.54 2*5P-SH](#)
[L=400mm](#) [EP-CBUSB10P2FLT](#) [1310-1033-01](#) [1310-1037-04](#) [ASR-USB](#) [68784-0075](#) [17-241361](#) [17-230471](#) [217B-BC02](#) [USB-29](#) [19800-](#)
[010500-200-RS](#) [USB+MINI DIN 6P WITH BKT](#) [84729-0025](#)