

# AC 9P



## SIZE :

92x92x25mm (3.62"x3.62"x0.98")

## CONSTRUCTION :

- Die-cast aluminum housing
- Glass fiber reinforced plastic:  
Impeller are UL 94V-0 rating
- Impedance protected
- Leader wire or Terminal is available

## OPERATING TEMPERATURE :

Ball bearing - 30°C to +75°C

Sleeve bearing - 10°C to +70°C

## WEIGHT :

280 grams

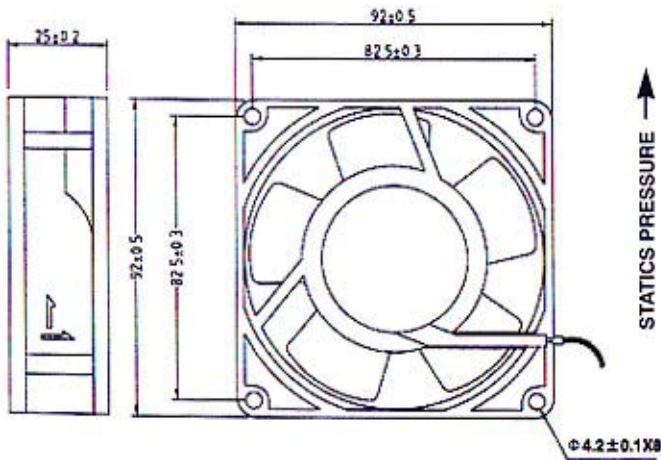


## Specifications

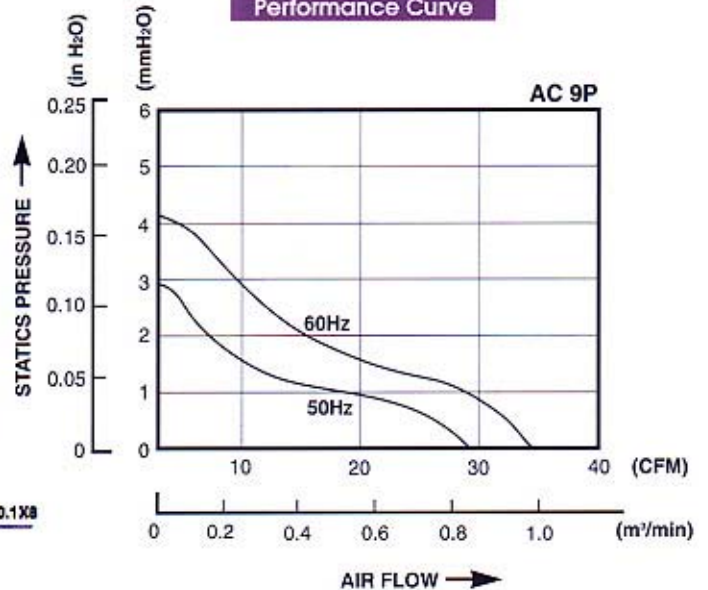
Specifications are subject to change without notice

MODEL NO.	BEARING	RATED VOLTAGE	FREQUENCY	MAX. RATED CURRENT	MAX. INPUT POWER	SPEED R.P.M.	MAX. AIR FLOW		MAX. AIR PRESSURE		NOISE dB-A
		VAC	Hz	mA	W		m <sup>3</sup> /min	CFM	mmH <sub>2</sub> O	IN H <sub>2</sub> O	
9P-115LB	Ball	115	50/60	140/120	14/13	1800/2300	0.63/0.76	22.35/26.56	2.15/2.84	0.08/0.11	28/35
9P-115LS	Sleeve										
9P-230LB	Ball	230	50/60	80/70	16/14	1800/2300	0.63/0.76	22.35/26.56	2.15/2.84	0.08/0.11	28/35
9P-230LS	Sleeve										
9P-115HB	Ball	115	50/60	160/140	16/14	2400/2900	0.79/0.96	28.56/34.17	2.96/4.21	0.12/0.17	35/41
9P-115HS	Sleeve										
9P-230HB	Ball	230	50/60	80/70	16/14	2400/2900	0.79/0.96	28.56/34.17	2.96/4.21	0.12/0.17	35/41
9P-230HS	Sleeve										

## Dimensions (mm)



## Performance Curve



## **X-ON Electronics**

Largest Supplier of Electrical and Electronic Components

*Click to view similar products for [bi-sonic manufacturer](#):*

Other Similar products are found below :

[9P-230LS-T](#) [8P-230LS-T](#) [4C-230HB-T](#) [BP1202524M-W](#) [BP501012M-W](#) [8P-230HB-T](#) [BP1203824H-03-W](#) [8P-230HS-W](#) [BP601012M-W](#)  
[BP1202524H-W](#) [BP1202512H-W](#) [BP802512H-03-W](#) [4E-230S-17-T](#) [4C-230HB-W](#) [12P-230HB-T](#) [BP922524H-W](#) [SP802512H-03-W](#)  
[BP402012H-W](#) [SP402012M-W](#) [BP401005H-W](#) [BP401012M-W](#) [BP402024H-W](#) [BP802524HL-03](#) [BP402024M-W](#) [BP922524M-W](#) [5E-230B-W](#) [SP802524H-03-W](#) [5E-DVB-1-W](#) [BP602524H-03-W](#)